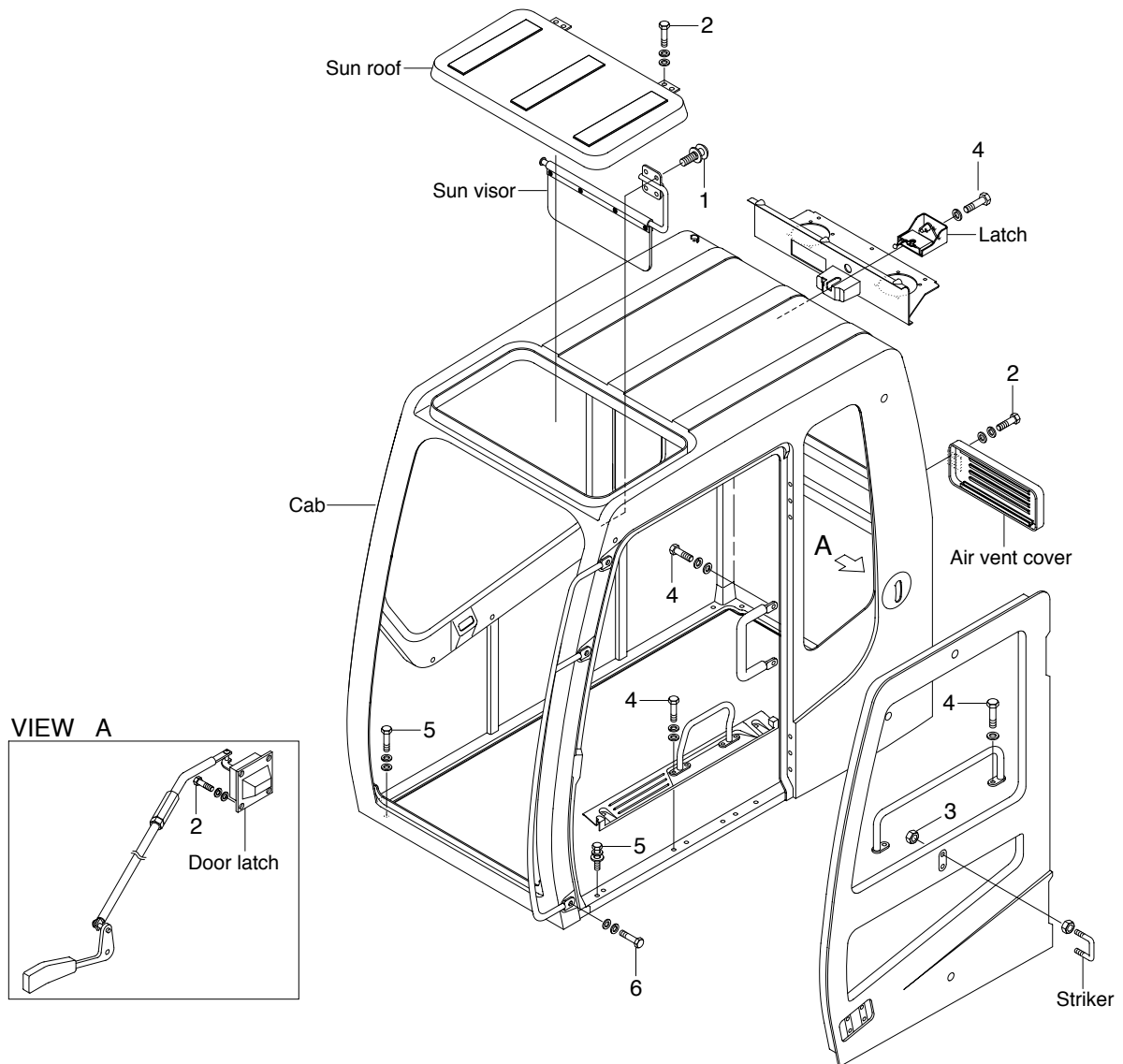


## GROUP 6 STRUCTURE

### CAB AND ACCESSORIES MOUNTING



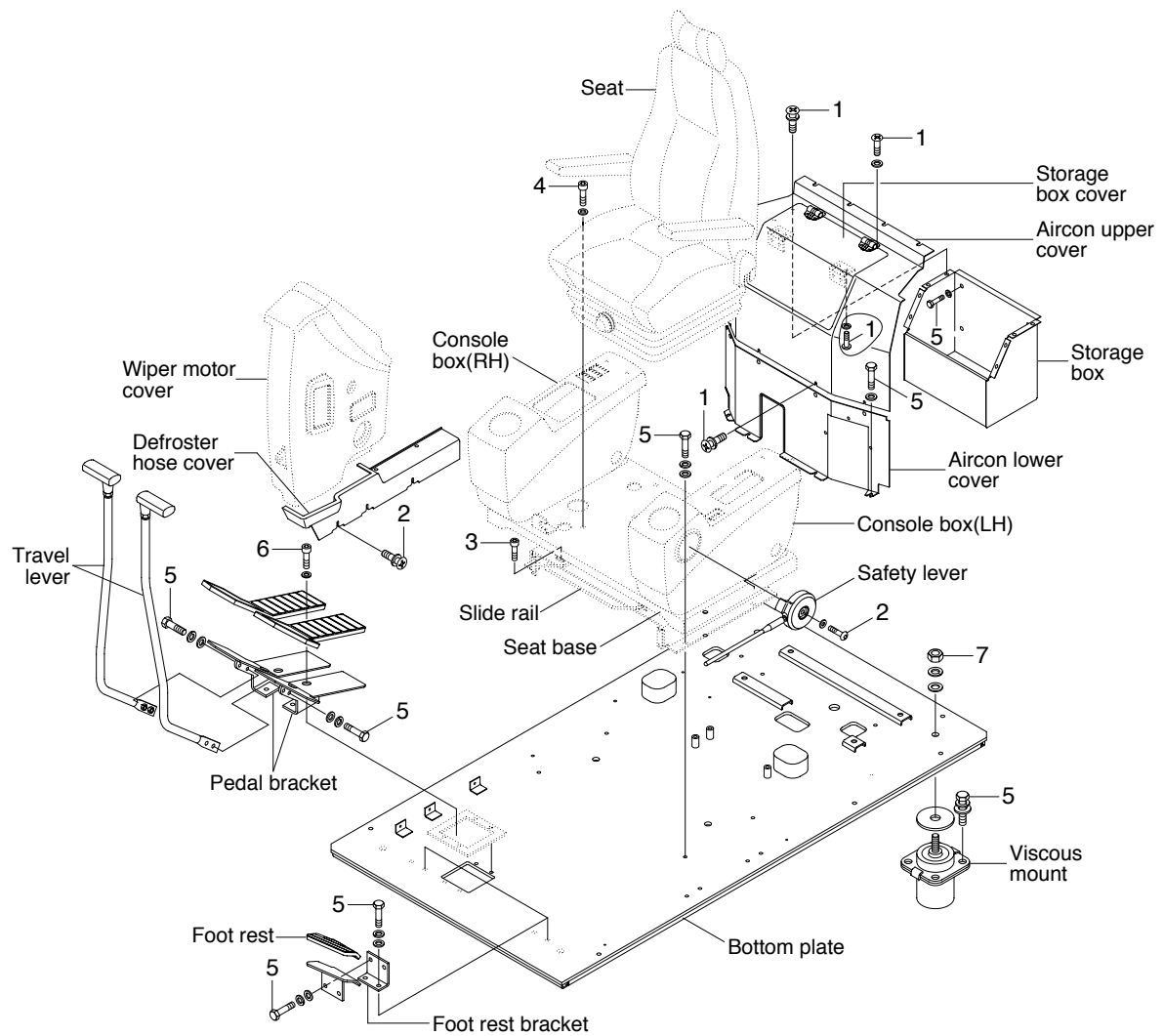
36079CM09

#### · Tightening torque

| Item | Size       | kgf · m    | lbf · ft   |
|------|------------|------------|------------|
| 1    | M 6 × 1.0  | 0.49 ± 0.1 | 3.5 ± 0.7  |
| 2    | M 8 × 1.25 | 2.5 ± 0.5  | 18.1 ± 3.6 |
| 3    | M10 × 1.5  | 4.7 ± 0.9  | 34 ± 6.5   |

| Item | Size       | kgf · m    | lbf · ft    |
|------|------------|------------|-------------|
| 4    | M10 × 1.5  | 6.9 ± 1.4  | 49.9 ± 10.1 |
| 5    | M12 × 1.75 | 12.8 ± 3.0 | 92.6 ± 21.7 |
| 6    | M16 × 2.0  | 29.7 ± 4.5 | 215 ± 32.5  |

# CAB INTERIOR MOUNTING



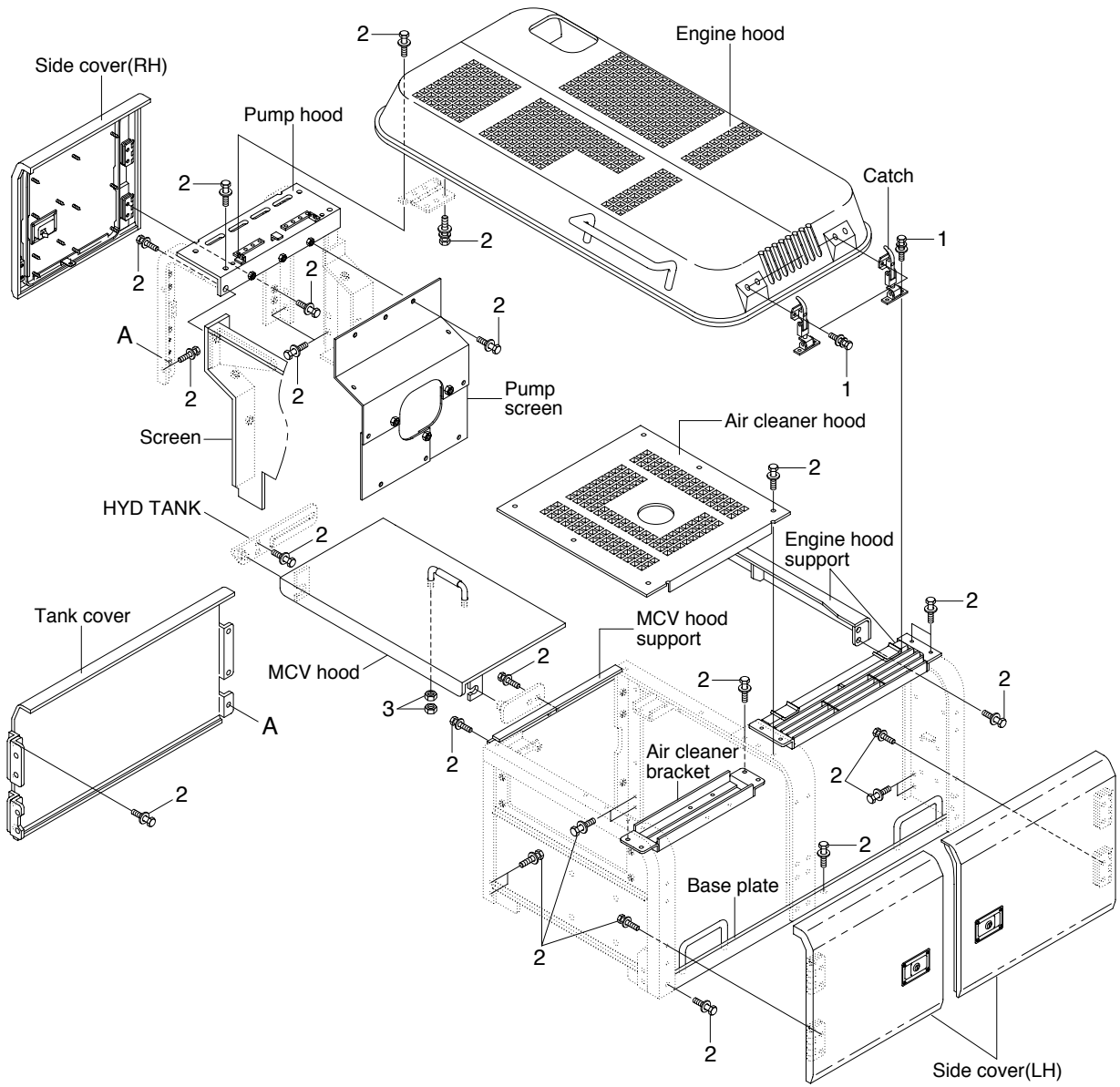
36079CM10

## · Tightening torque

| Item | Size       | kgf · m    | lbf · ft   |
|------|------------|------------|------------|
| 1    | M 6 × 1.0  | 0.49 ± 0.1 | 3.5 ± 0.7  |
| 2    | M 6 × 1.0  | 1.05 ± 0.2 | 7.6 ± 1.4  |
| 3    | M 8 × 1.25 | 3.43 ± 0.7 | 24.8 ± 5.1 |
| 4    | M 8 × 1.25 | 4.05 ± 0.8 | 29.3 ± 5.8 |

| Item | Size      | kgf · m    | lbf · ft    |
|------|-----------|------------|-------------|
| 5    | M10 × 1.5 | 6.9 ± 1.4  | 49.9 ± 10.1 |
| 6    | M10 × 1.5 | 8.27 ± 1.7 | 59.8 ± 12.3 |
| 7    | M16 × 2.0 | 29.7 ± 4.5 | 215 ± 32.5  |
| -    | -         | -          | -           |

# COWLING MOUNTING



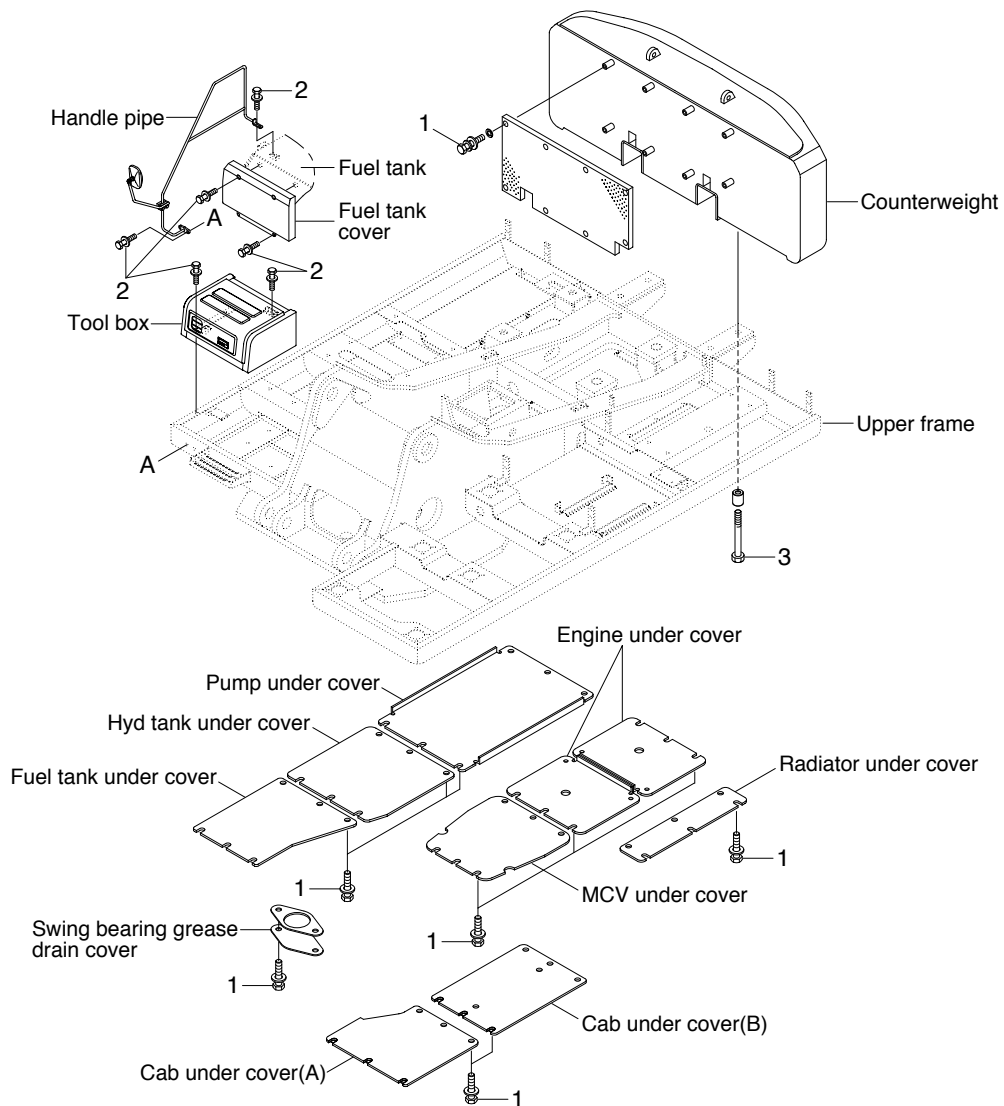
36079CM11

## · Tightening torque

| Item | Size       | kgf · m    | lbf · ft    |
|------|------------|------------|-------------|
| 1    | M 8 × 1.25 | 2.5 ± 0.5  | 18.1 ± 3.6  |
| 2    | M12 × 1.75 | 12.8 ± 3.0 | 92.6 ± 21.7 |

| Item | Size      | kgf · m    | lbf · ft   |
|------|-----------|------------|------------|
| 3    | M16 × 2.0 | 29.7 ± 4.5 | 215 ± 32.5 |
| -    | -         | -          | -          |

## COUNTERWEIGHT AND COVERS MOUNTING



36079CM12

### · Tightening torque

| Item | Size       | kgf · m    | lbf · ft    |
|------|------------|------------|-------------|
| 1    | M10 × 1.5  | 6.9 ± 1.4  | 49.9 ± 10.1 |
| 2    | M12 × 1.75 | 12.8 ± 3.0 | 92.6 ± 21.7 |

| Item | Size      | kgf · m  | lbf · ft   |
|------|-----------|----------|------------|
| 3    | M36 × 3.0 | 308 ± 46 | 2228 ± 333 |
| -    | -         | -        | -          |