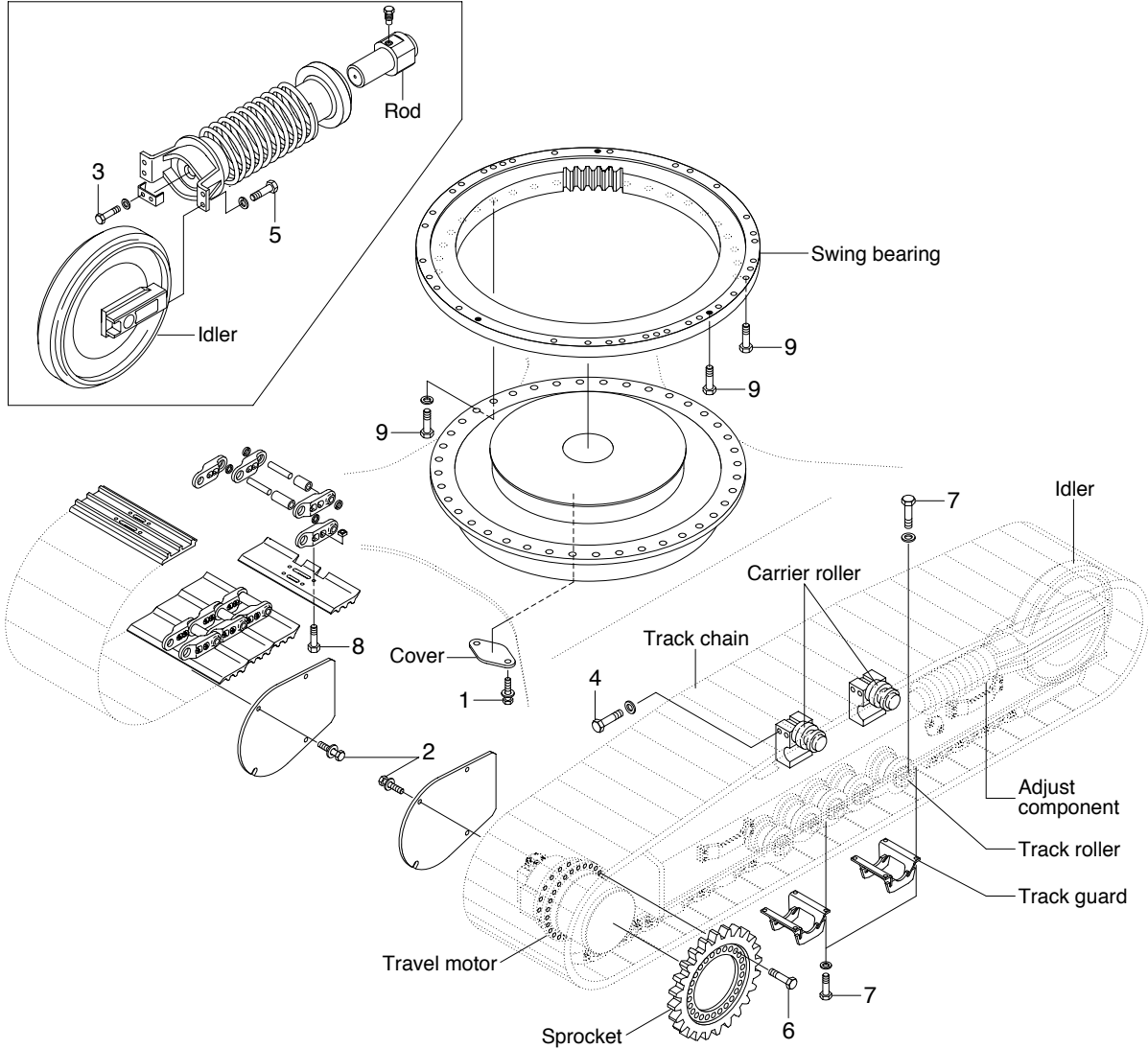


GROUP 5 UNDERCARRIAGE

ADJUST COMPONENT



29079CM08

· Tightening torque

Item	Size	kgf · m	lbf · ft
1	M10 × 1.5	6.9 ± 1.4	49.9 ± 10.1
2	M12 × 1.75	12.8 ± 3.0	92.6 ± 21.7
3	M12 × 1.25	13.3 ± 2.7	96.2 ± 19.5
4	M16 × 2.0	26.6 ± 3.2	214 ± 23.1
5	M16 × 2.0	29.7 ± 4.0	215 ± 28.9

Item	Size	kgf · m	lbf · ft
6	M20 × 2.5	51 ± 4.0	369 ± 28.9
7	M22 × 2.5	77.4 ± 11	560 ± 79.6
8	3/4-16UNF	78 ± 3.0	564 ± 21.7
9	M24 × 3.0	97.8 ± 10	707 ± 72.3
-	-	-	-