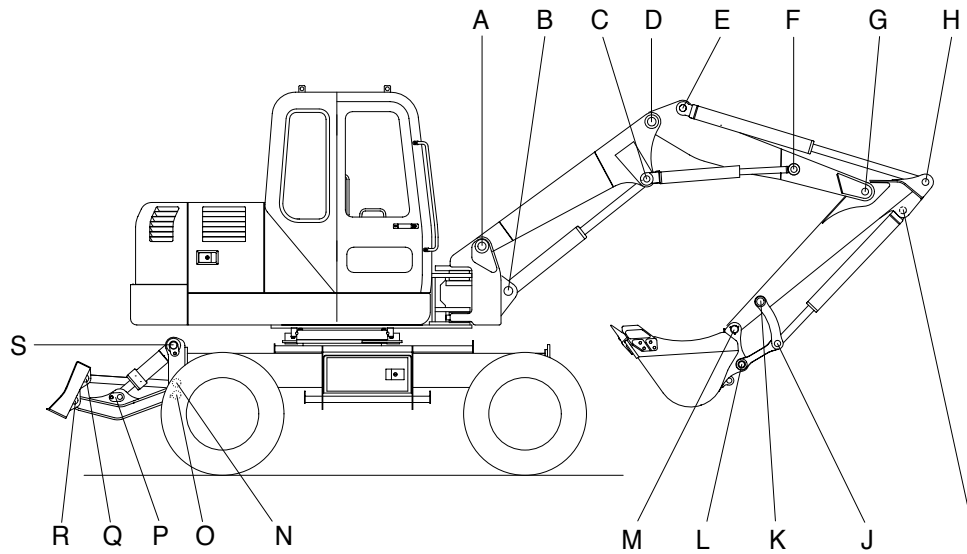


GROUP 3 TRACK AND WORK EQUIPMENT



Unit : mm

Mark	Measuring point (Pin and bushing)	Normal value	Pin		Bushing		Remedy & Remark
			Recomm. service limit	Limit of use	Recomm. service limit	Limit of use	
A	Boom(1st) rear	65	64	63.5	65.5	66	Replace
B	Boom cylinder head	70	69	68.5	70.5	71	"
C	Adjust cylinder head	70	69	68.5	70.5	71	"
D	Boom front	60	59	58.5	60.5	61	"
E	Arm cylinder head	60	59	58.5	60.5	61	"
F	Adjust cylinder rod	60	59	58.5	60.5	61	"
G	Boom(2nd) front	60	59	58.5	60.5	61	"
H	Arm cylinder rod	60	59	58.5	60.5	61	"
I	Bucket cylinder head	60	59	58.5	60.5	61	"
J	Bucket cylinder rod	60	59	58.5	60.5	61	"
K	Arm link	55	54	53.5	55.5	56	"
L	Bucket and arm link	55	54	53.5	55.5	56	"
M	Bucket and arm link	55	54	53.5	55.5	56	"
N	Dozer rod(B)	40	39	38.5	40.5	41	"
O	Dozer arm(B)	40	54	53.5	55.5	56	"
P	Dozer cylinder rod	60	59	58.5	60.5	61	"
Q	Dozer rod(A)	40	39	38.5	40.5	41	"
R	Dozer arm(A)	40	39	38.5	40.5	41	"
S	Dozer cylinder head	60	59	58.5	60.5	61	"