

GROUP 4 CONNECTORS

1. CONNECTOR DESTINATION

Connector number	Type	No. of pin	Destination	Destination	
				Female	Male
CN-1	DEUTSCH	31	I/conn(Main harness-Frame harness)	HD36-24-31SE	HD34-24-31PE
CN-2	DEUTSCH	31	I/conn(Main harness-Frame harness)	HD36-24-31SE	HD34-24-31PE
CN-3	58-L	2	I/conn(Main harness-Frame harness)	S813-030200	S813-130200
CN-4	SWP	6	I/conn(Main harness-Cab harness)	S814-006000	S814-106000
CN-5	SWP	14	I/conn(Main harness-Cluster harness)	S814-014000	S814-114000
CN-6	SWP	12	I/conn(Main harness-Cluster harness)	S814-012000	S814-112000
CN-10	KET	2	I/conn(Frame harness-Boom harness)	MG640188-4	MG61054
CN-13	CN	4	Wiper motor	S810-004202	-
CN-14	CN	4	I/conn(Cab harness-Beacon harness)	S810-004202	-
CN-15	SWP	12	Multifunction switch	S814-012000	-
CN-16	SWP	12	I/conn(Engine harness-Frame harness)	S814-012000	S814-112000
CN-17	SWP	2	Number plate	-	S814-102000
CN-19	AMP	2	Work lamp	MG640188-4	-
CN-20	MOLEX	2	Horn	35215-0200	-
CN-22	CN	2	Washer tank	S810-002202	-
CN-23	AMP	1	Speaker(LH)	S822-014004	S822-114004
CN-24	AMP	1	Speaker(RH)	S822-014004	S822-114004
CN-25	MOLEX	2	Horn	35215-0200	-
CN-27	PA	2	Cassette & radio	S811-009003	-
CN-28	CN	2	Aircon compressor	S810-002201	-
CN-29	GROMMET	2	Receiver drier	21L7-12000	-
CN-31	CN	8	Aircon control switch	-	S810-108201
CN-32	CN	2	Thermostat	S810-002200	-
CN-35	CN	4	Blower	S810-004202	-
CN-36	SWP	12	Fuse box	S814-012000	S814-112000
CN-37	SWP	6	Fuse box	S814-006000	S814-106000
CN-38	SWP	4	Fuse box	S814-004000	S814-104000
CN-40	58-L	2	Fuse box	S813-030200	S813-130200
CN-45	RING-TERM	-	Start motor B ⁺	-	S820-108000
CN-46	CB104	1	Blower	S822-014002	-
CN-47	CN	3	Resister	S810-003201	-
CN-48	CN	2	Hour meter	S810-002200	-
CN-50	CN	4	Indicator lamp	S810-004202	-
CN-56	-	16	Cluster	174046-2	-

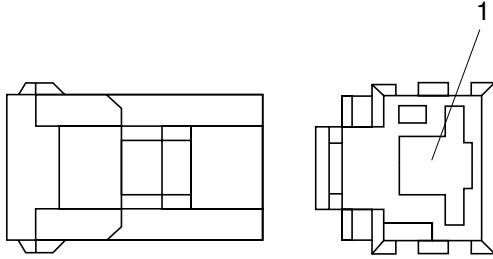
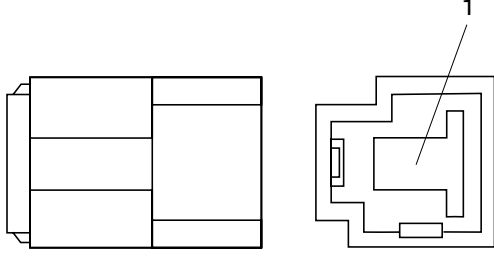
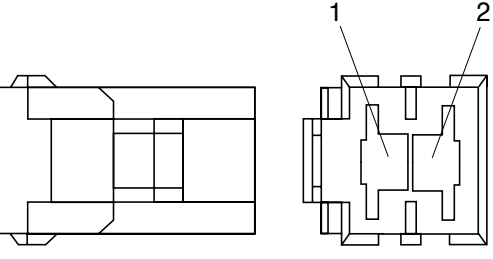
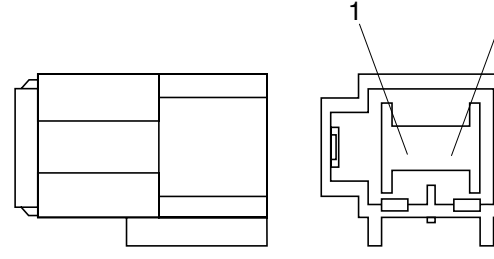
Connector number	Type	No. of pin	Destination	Destination	
				Female	Male
CN-57	-	12	Cluster	174045-2	-
CN-58	AMP	31	Check unit	344111-1	-
CN-60	58-L	2	Fusible link	-	S813-130200
CN-61	CN	4	Fuel filler pump	S810-004202	-
CN-65	CB104	1	Back up buzzer	S822-014004	-
CN-66	AMP J TYPE	2	2th boom solenoid	S816-002001	-
CN-68	SWP	2	Safety solenoid	-	S814-102000
CN-69	AMP	2	Ram lock solenoid	85202-1	-
CN-70	AMP	2	Travel solenoid	85202-1	-
CN-71	AMP	2	Parking solenoid	85202-1	-
CN-72	J	2	Outtrigger solenoid	S816-002001	-
CN-74L	J	2	Alternator B+ terminal	S816-002003	-
CN-74R	RING-TERM	-	Alternator B+ terminal	-	S820-105000
CN-79	-	1	Engine stop solenoid	S819-010122	-
CN-80	RING-TERM	-	Glow plug	-	S820-104000
CN-88	SWP	2	Mode solenoid	-	S814-102000
CN-90	SWP	2	Auto decel solenoid	-	S814-102000
CN-108	SWF	2	Overload lamp	913328	-
CN-109	SWP	2	l/conn(Frame harness-Overload harness)	S814-002000	S814-102000
CN-110	SWP	2	l/conn(Frame harness-S/Waring harness)	S814-002000	-
CN-121	AMP J TYPE	2	Boom offset solenoid	S816-002001	-
CN-122	SWP	2	Forward solenoid	-	S814-102000
CN-123	SWP	2	Reverse solenoid	-	S814-102000
CN-125	DEUTSCH	2	Citrus harvester solenoid	DT06-2P	-
CN-150	CN	3	Timer	-	S810-103201
• Relay					
CR-1	RING-TERM	-	Battery relay	-	S820-104001
CR-2	CN	4	Horn relay	S810-004202	-
CR-4	CN	6	Wiper relay	S810-006202	-
CR-7	CN	4	Aircon relay	S810-004202	-
CR-11	CN	3	Flasher unit	S810-003702	-
CR-23	SWP	2	Start relay	-	S814-102000
CR-24	RING-TERM	-	Preheater relay	-	S820-106000
CR-30	CN	4	Back up relay	S810-004202	-
CR-35	CN	4	Backward relay	S810-004202	-
CR-40	CN	6	Safety solenoid relay	S810-006202	-

Connector number	Type	No. of pin	Destination	Destination	
				Female	Male
• Switch					
CS-2	SWP	6	Start key switch	S814-006000	-
CS-4	CB104	1	Safety switch	S822-014002	-
CS-5	CB104	1	Horn switch	S822-014002	S822-114002
CS-11	SWP	8	Multifunction switch	-	S814-108000
CS-12	SWP	8	Multifunction switch	S814-008000	-
CS-13	SWP	12	Multifunction switch	-	S814-112000
CS-17	SWF	10	Parking switch	593757	-
CS-18	SWF	10	Ram lock switch	593757	-
CS-23	SWF	10	Beacon lamp switch	593757	-
CS-25	SWF	10	Outrigger switch	593757	-
CS-27	SWF	10	Breaker switch	593757	-
CS-41	SWF	10	Hazard switch	593757	-
CS-44	SWF	10	Heater switch	593757	-
CS-47	SWF	10	Boom offset switch	593757	-
CS-61	DEUTSCH	3	RCV lever switch(RH)	DT04-3S	-
CS-62	DEUTSCH	3	RCV lever switch(LH)	DT04-3S	-
CS-63	SWF	10	Mode select switch	593757	-
CS-68	SWF	10	Overload switch	593757	-
• Light					
CL-1	-	2	Room lamp	7123-8326	-
CL-2	AMP	1	Cigar light	S822-014002	S822-114002
CL-3	HMC	3	Head lamp(RH)	S810-003702	-
CL-4	HMC	3	Head lamp(LH)	S810-003702	-
CL-5	SWP	2	Work lamp	S814-002000	-
CL-6	SWP	2	Work lamp	S814-002000	-
CL-7	-	1	Beacon lamp	S822-014004	S822-114004
CL-15	SWP	6	Rear combi lamp(LH)	S814-006000	-
CL-16	SWP	6	Rear combi lamp(RH)	S814-006000	-
CL-24	SWP	3	Front combi lamp(LH)	S814-003000	-
CL-25	SWP	3	Front combi lamp(RH)	S814-003000	-
CL-44	SWF	2	Parking lamp	913328	-
CL-45	SWF	2	Brake fail lamp	913328	-
CL-51	SWF	2	Transmission oil lamp	913328	-
CL-57	SWF	2	Ram lock lamp	913328	-
CL-108	SWF	2	Overload lamp	913328	-

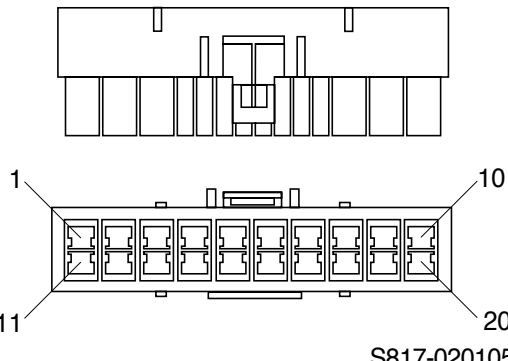
Connector number	Type	No. of pin	Destination	Destination	
				Female	Male
• Sensor, sender					
CD-2	KET	2	Fuel sender	S814-002000	-
CD-3	-	1	Brake fail pressure switch	S819-010122	-
CD-4	-	1	Stop lamp pressure switch	S819-010122	-
CD-6	KET	2	Auto idle pressure switch	MG640795	-
CD-7	-	-	Auto idle pressure switch	21EA-00310	-
CD-8	AMP	2	Water temp sender	85202-1	-
CD-16	SWP	2	Water level sensor	S814-002000	-
CD-17	SWP	2	Engine taco sensor	S814-002000	-
CD-18	-	-	Engine oil pressure switch	101-701506A	-
CD-25	-	2	Transmission oil pressure switch	MG640795	-
CD-31	AMP	1	Hydraulic oil temp switch	1-150656	-
CD-36	DEUTSCH	2	Overload pressure switch	DT06-2S	-
CD-47	-	2	Swing warning pressure switch	MG640795	-

2. CONNECTION TABLE FOR CONNECTORS

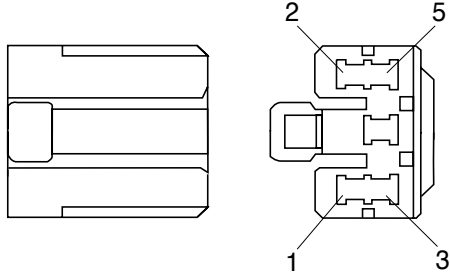
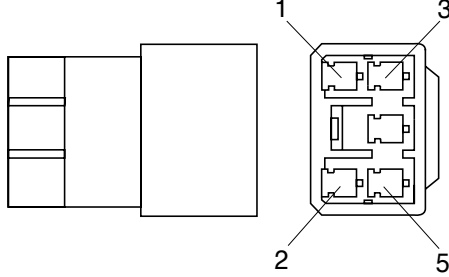
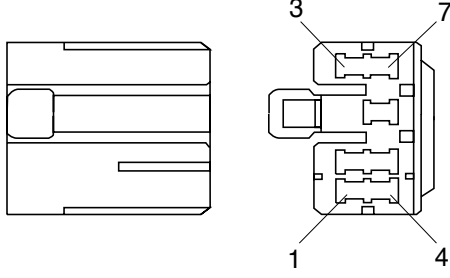
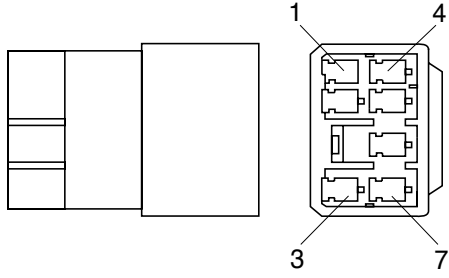
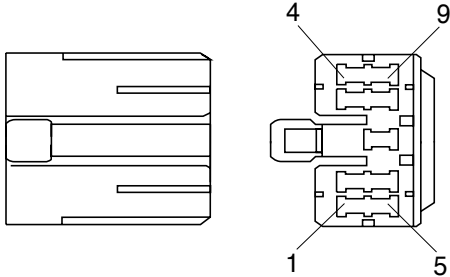
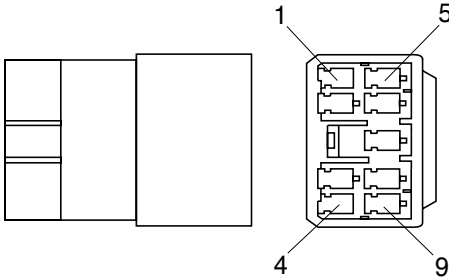
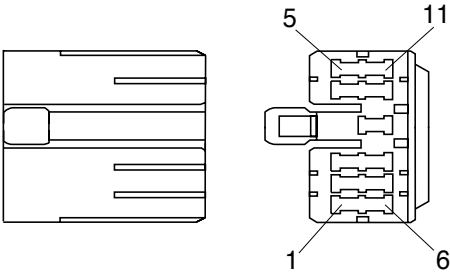
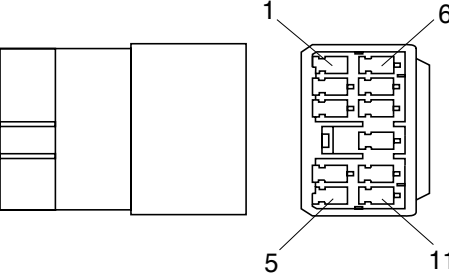
1) 58-L TYPE CONNECTOR

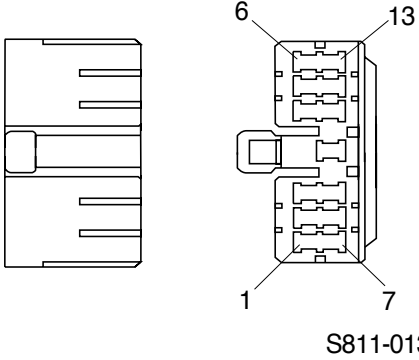
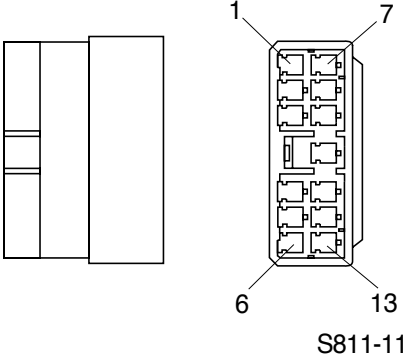
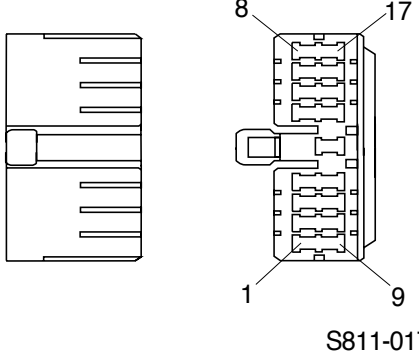
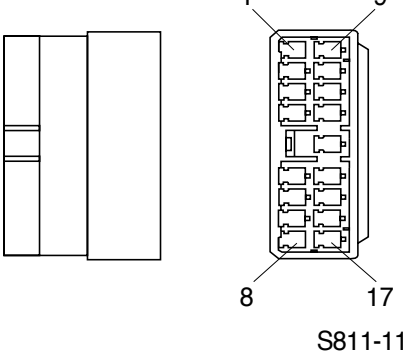
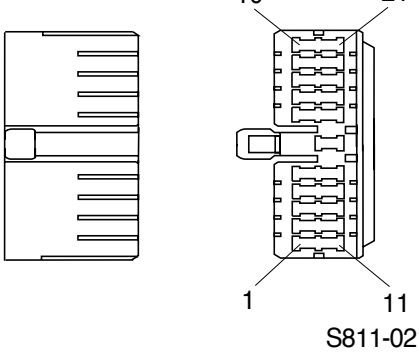
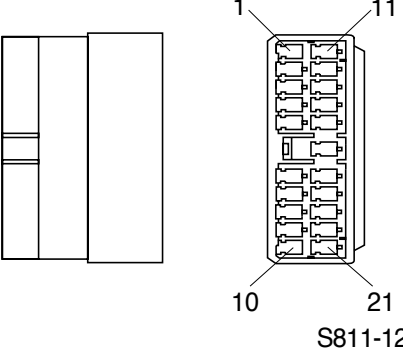
No. of pin	Receptacle connector(Female)	Plug connector(Male)
1	 <p style="text-align: center;">S813-030100</p>	 <p style="text-align: center;">S813-130100</p>
2	 <p style="text-align: center;">S813-030200</p>	 <p style="text-align: center;">S813-130200</p>

2) MULTILOCK TYPE CONNECTOR

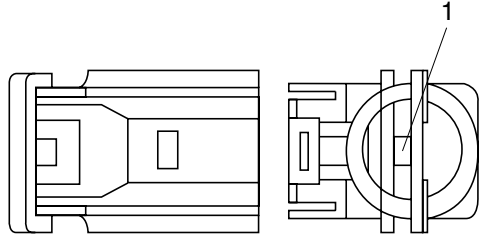
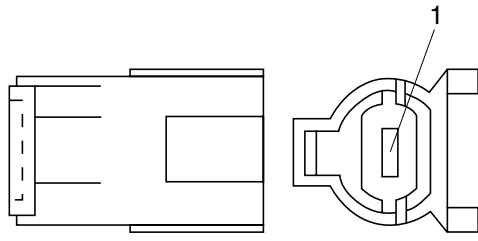
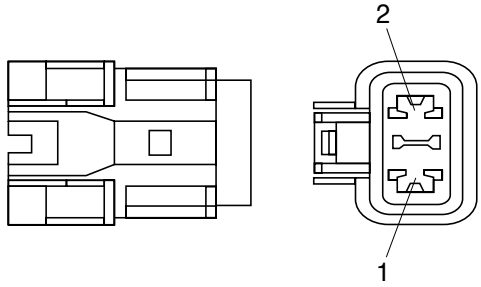
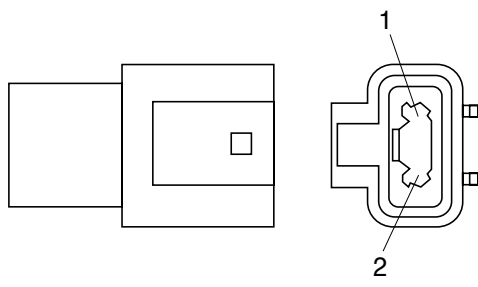
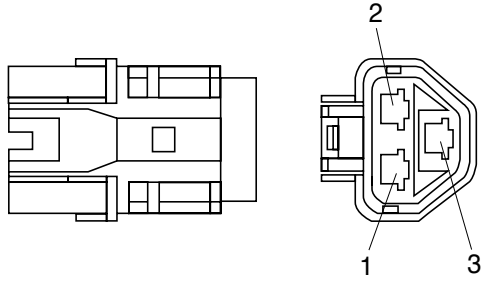
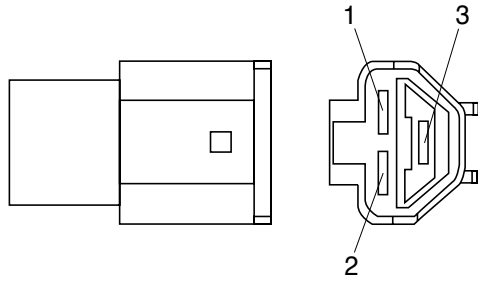
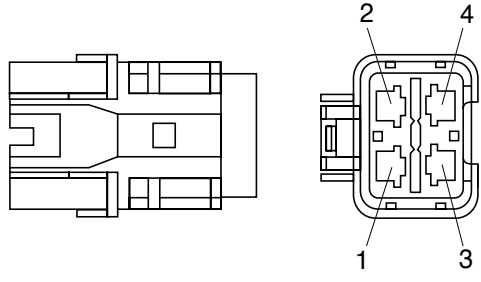
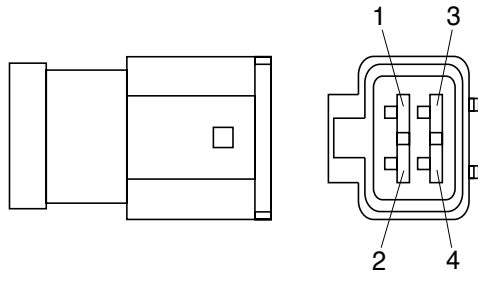
No. of pin	Receptacle connector(Female)	Plug connector(Male)
20	 <p>S817-020105</p>	

3) PA TYPE CONNECTOR

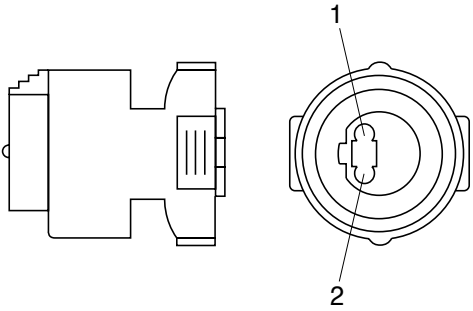
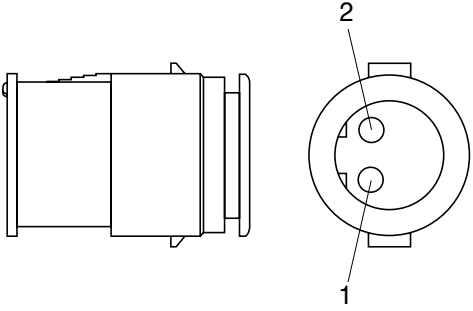
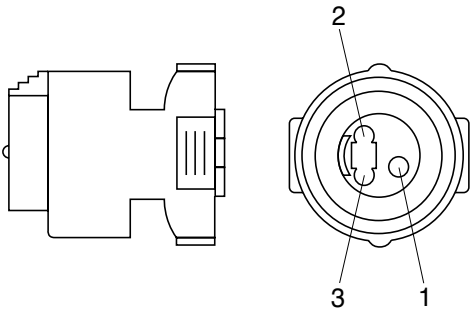
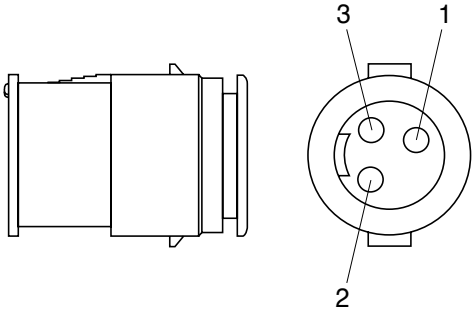
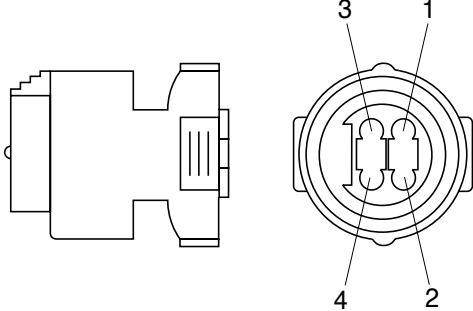
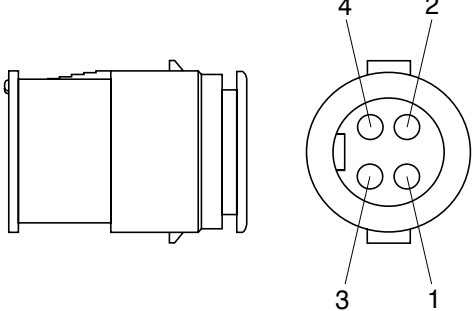
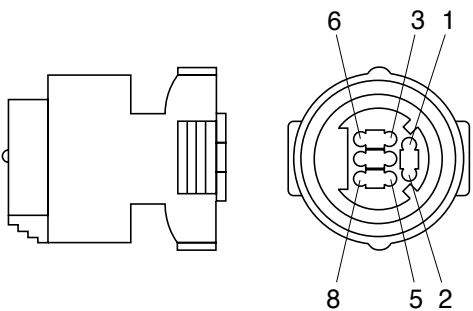
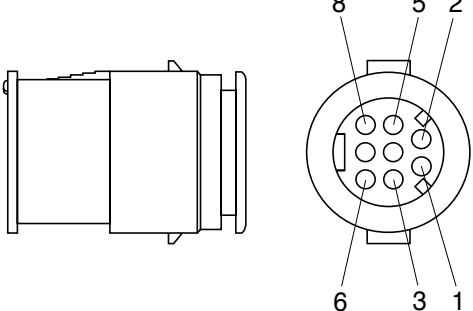
No. of pin	Receptacle connector(Female)	Plug connector(Male)
5	 <p style="text-align: center;">S811-005002</p>	 <p style="text-align: center;">S811-105002</p>
7	 <p style="text-align: center;">S811-007002</p>	 <p style="text-align: center;">S811-107002</p>
9	 <p style="text-align: center;">S811-009002</p>	 <p style="text-align: center;">3S811-109002</p>
11	 <p style="text-align: center;">S811-011002</p>	 <p style="text-align: center;">S811-111002</p>

No. of pin	Receptacle connector(Female)	Plug connector(Male)
13	 <p data-bbox="687 678 836 707">S811-013002</p>	 <p data-bbox="1241 678 1390 707">S811-113002</p>
17	 <p data-bbox="687 1088 836 1117">S811-017002</p>	 <p data-bbox="1241 1088 1390 1117">S811-117002</p>
21	 <p data-bbox="687 1498 836 1527">S811-021002</p>	 <p data-bbox="1241 1498 1390 1527">S811-121002</p>

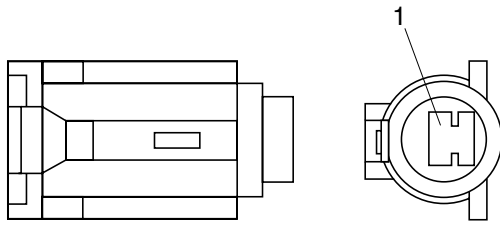
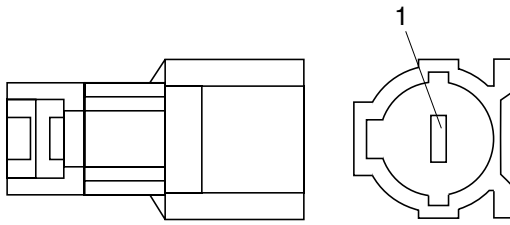
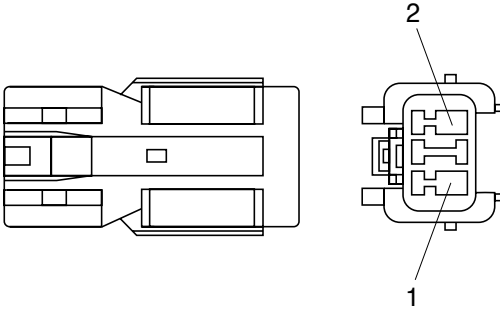
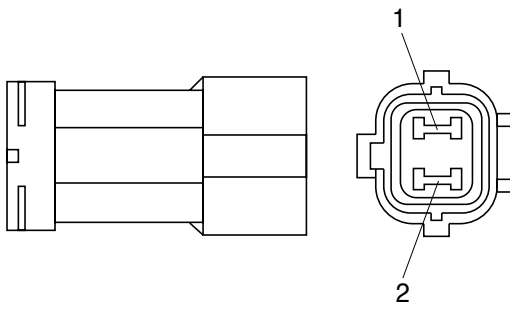
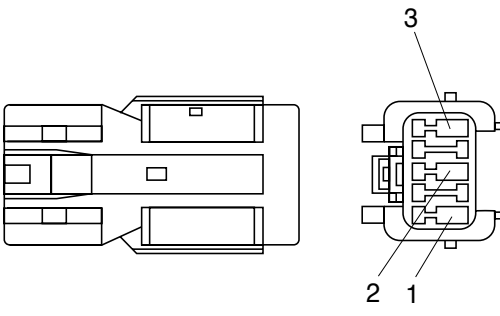
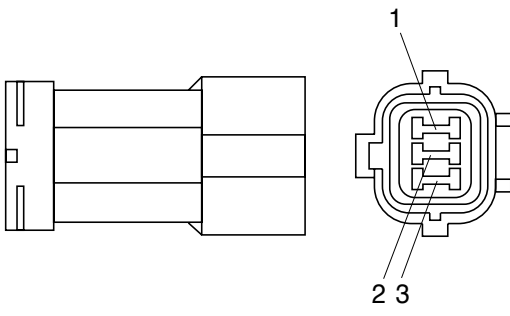
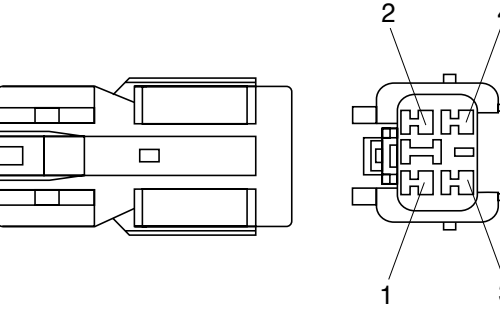
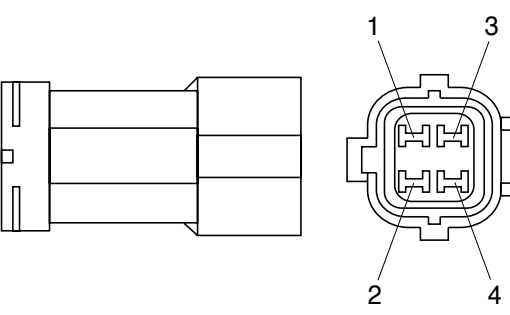
4) 58-X TYPE CONNECTOR

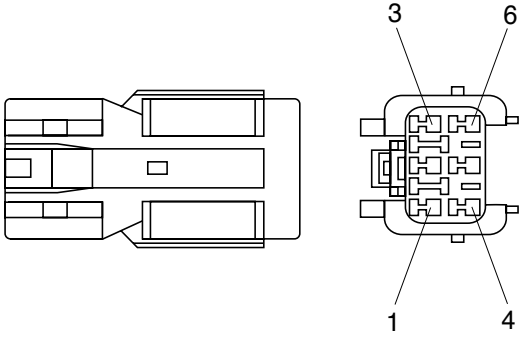
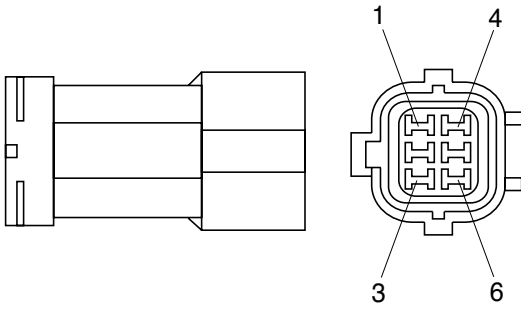
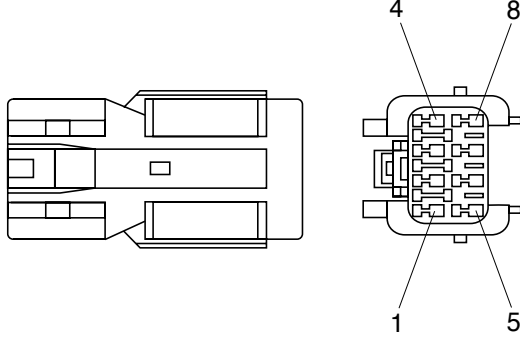
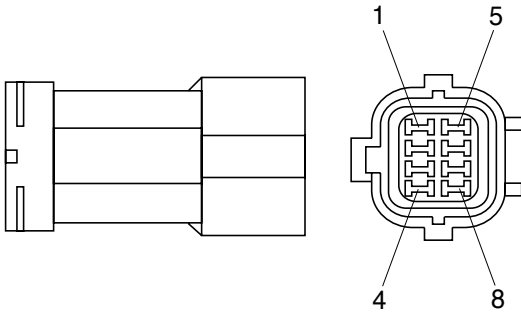
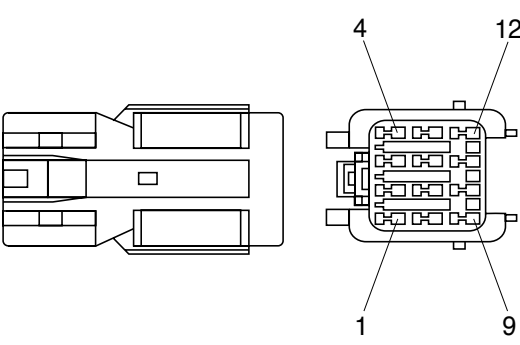
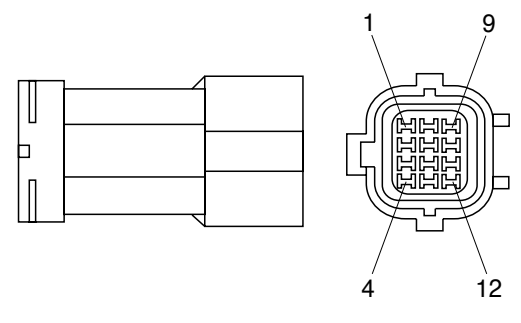
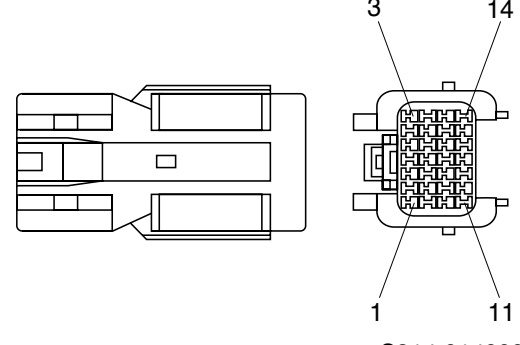
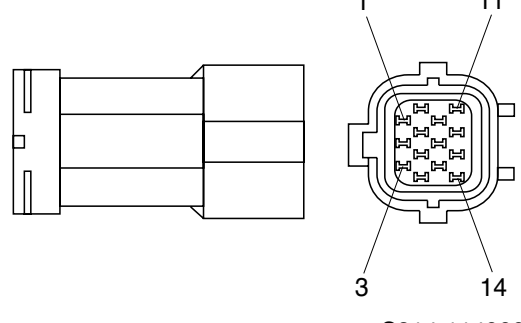
No. of pin	Receptacle connector(Female)	Plug connector(Male)
1	 <p data-bbox="686 672 837 705">S813-060100</p>	 <p data-bbox="1236 672 1388 705">S813-160100</p>
2	 <p data-bbox="686 1075 837 1108">S813-060200</p>	 <p data-bbox="1236 1075 1388 1108">S813-160200</p>
3	 <p data-bbox="686 1478 837 1512">S813-060300</p>	 <p data-bbox="1236 1478 1388 1512">S813-160300</p>
4	 <p data-bbox="686 1881 837 1915">S813-060400</p>	 <p data-bbox="1236 1881 1388 1915">S813-160400</p>

5) J TYPE CONNECTOR

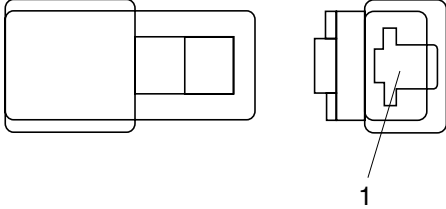
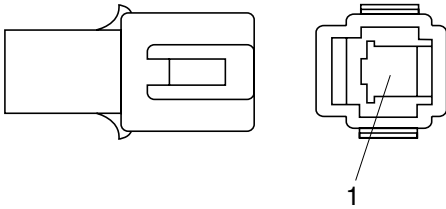
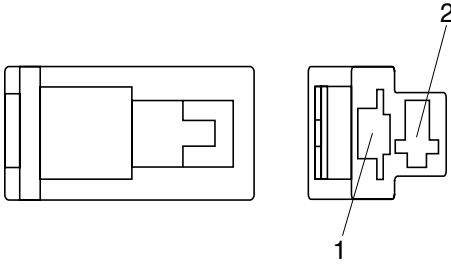
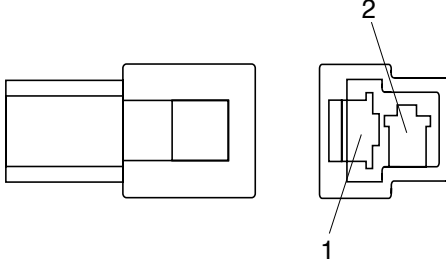
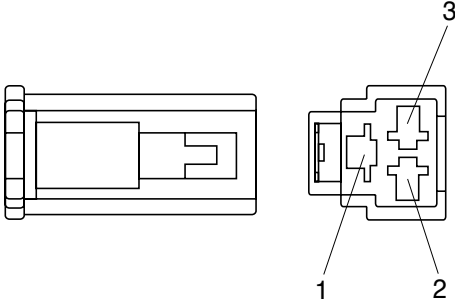
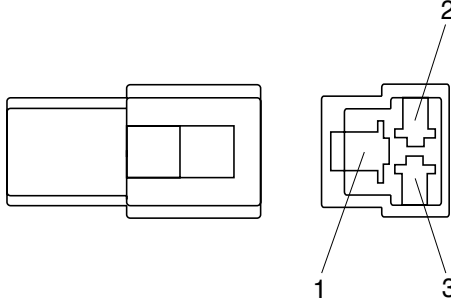
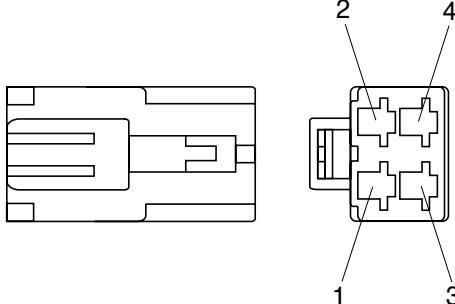
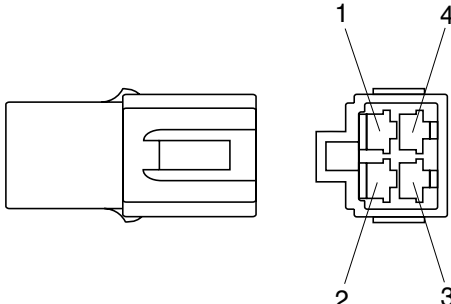
No. of pin	Receptacle connector(Female)	Plug connector(Male)
2	 <p style="text-align: center;">S816-002001</p>	 <p style="text-align: center;">S816-102001</p>
3	 <p style="text-align: center;">S816-003001</p>	 <p style="text-align: center;">S816-103001</p>
4	 <p style="text-align: center;">S816-004001</p>	 <p style="text-align: center;">S816-104001</p>
8	 <p style="text-align: center;">S816-008001</p>	 <p style="text-align: center;">S816-108001</p>

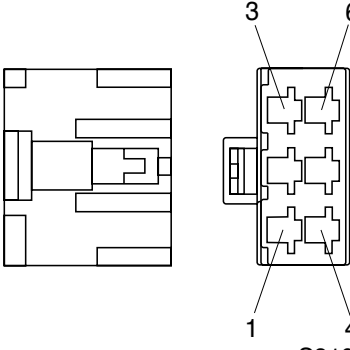
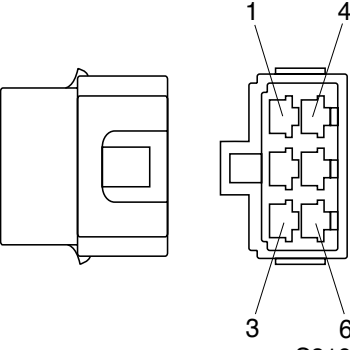
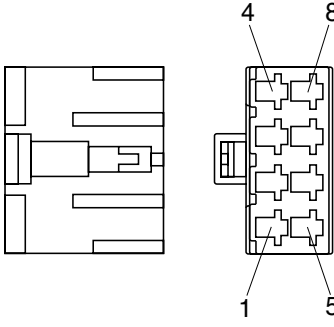
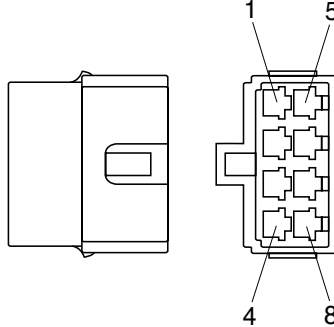
6) SWP TYPE CONNECTOR

No. of pin	Receptacle connector(Female)	Plug connector(Male)
1	 <p data-bbox="686 672 837 705">S814-001000</p>	 <p data-bbox="1236 672 1388 705">S814-101000</p>
2	 <p data-bbox="686 1075 837 1108">S814-002000</p>	 <p data-bbox="1236 1075 1388 1108">S814-102000</p>
3	 <p data-bbox="686 1478 837 1512">S814-003000</p>	 <p data-bbox="1236 1478 1388 1512">S814-103000</p>
4	 <p data-bbox="686 1881 837 1915">S814-004000</p>	 <p data-bbox="1236 1881 1388 1915">S814-104000</p>

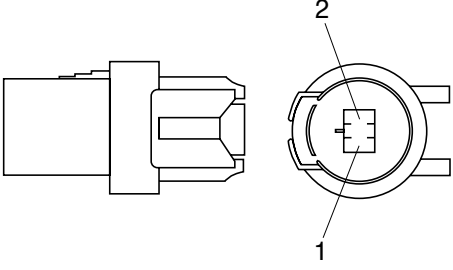
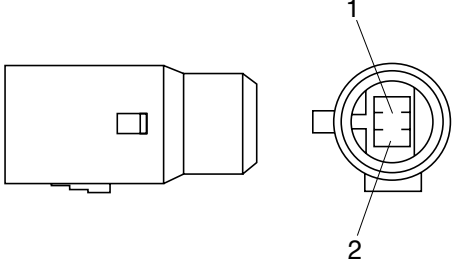
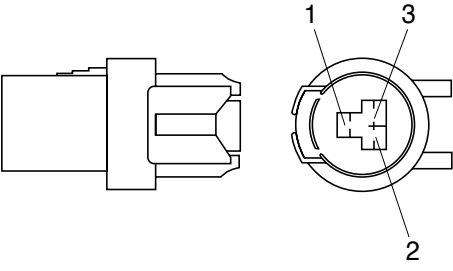
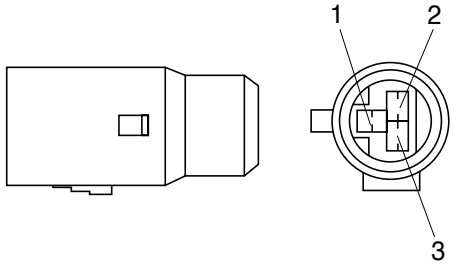
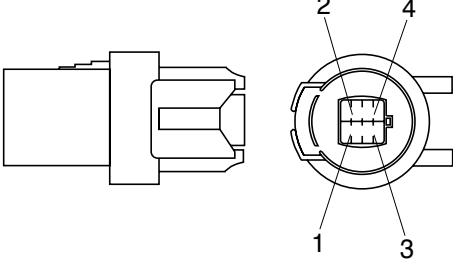
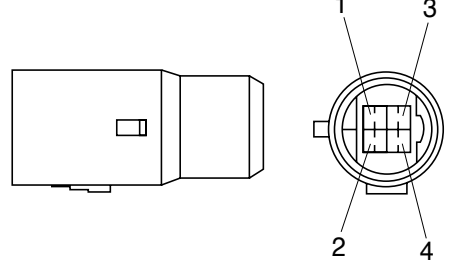
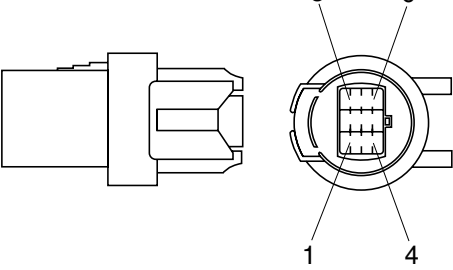
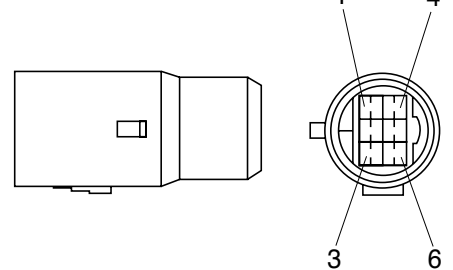
No. of pin	Receptacle connector(Female)	Plug connector(Male)
6	 <p data-bbox="687 680 831 707">S814-006000</p>	 <p data-bbox="1241 680 1385 707">S814-106000</p>
8	 <p data-bbox="687 1090 831 1120">S814-008000</p>	 <p data-bbox="1241 1090 1385 1120">S814-108000</p>
12	 <p data-bbox="687 1500 831 1529">S814-012000</p>	 <p data-bbox="1241 1500 1385 1529">S814-112000</p>
14	 <p data-bbox="687 1910 831 1939">S814-014000</p>	 <p data-bbox="1241 1910 1385 1939">S814-114000</p>

7) CN TYPE CONNECTOR

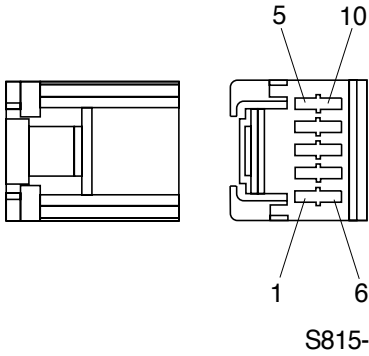
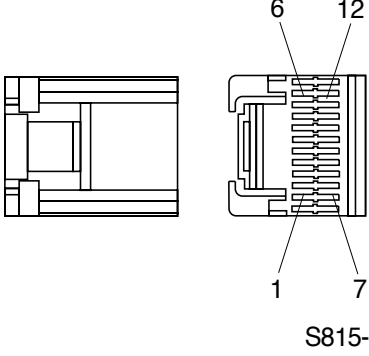
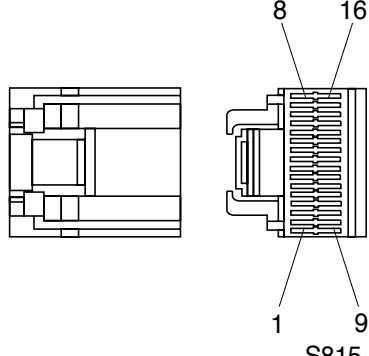
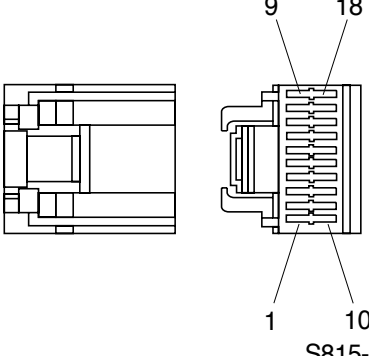
No. of pin	Receptacle connector(Female)	Plug connector(Male)
1	 <p style="text-align: center;">S810-001202</p>	 <p style="text-align: center;">S810-101202</p>
2	 <p style="text-align: center;">S810-002202</p>	 <p style="text-align: center;">S810-102202</p>
3	 <p style="text-align: center;">S810-003202</p>	 <p style="text-align: center;">S810-103202</p>
4	 <p style="text-align: center;">S810-004202</p>	 <p style="text-align: center;">S810-104202</p>

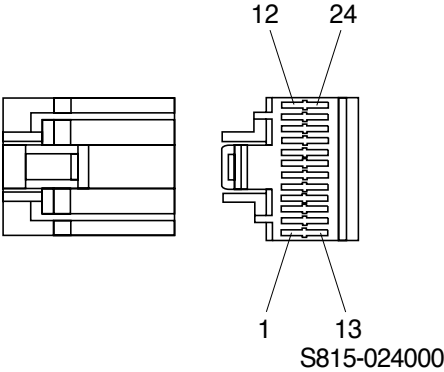
No. of pin	Receptacle connector(Female)	Plug connector(Male)
6	 <p data-bbox="686 683 837 712">S810-006202</p>	 <p data-bbox="1244 683 1396 712">S810-106202</p>
8	 <p data-bbox="686 1086 837 1115">S810-008202</p>	 <p data-bbox="1244 1086 1396 1115">S810-108202</p>

8) BS TYPE CONNECTOR

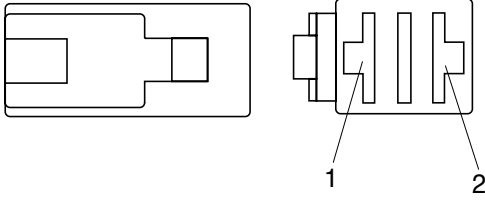
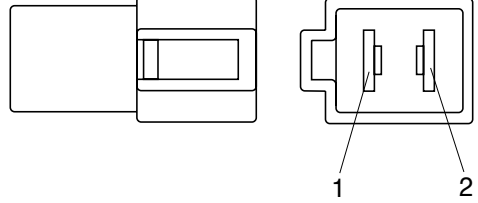
No. of pin	Receptacle connector(Female)	Plug connector(Male)
2	 <p style="text-align: center;">S812-002001</p>	 <p style="text-align: center;">S812-102001</p>
3	 <p style="text-align: center;">S812-003001</p>	 <p style="text-align: center;">S812-103001</p>
4	 <p style="text-align: center;">S812-004001</p>	 <p style="text-align: center;">S812-104001</p>
6	 <p style="text-align: center;">S812-006001</p>	 <p style="text-align: center;">S812-106001</p>

9) LC TYPE CONNECTOR

No. of pin	Receptacle connector(Female)	Plug connector(Male)
10	 <p style="text-align: center;">S815-010000</p>	
12	 <p style="text-align: center;">S815-012000</p>	
16	 <p style="text-align: center;">S815-016000</p>	
18	 <p style="text-align: center;">S815-018000</p>	

No. of pin	Receptacle connector(Female)	Plug connector(Male)
24	 <p style="text-align: center;">S815-024000</p>	

10) 375 FASTEN TYPE CONNECTOR

No. of pin	Receptacle connector(Female)	Plug connector(Male)
2	 <p data-bbox="686 672 837 705">S810-002402</p>	 <p data-bbox="1236 672 1388 705">S810-102402</p>