

SECTION 4 ELECTRICAL SYSTEM

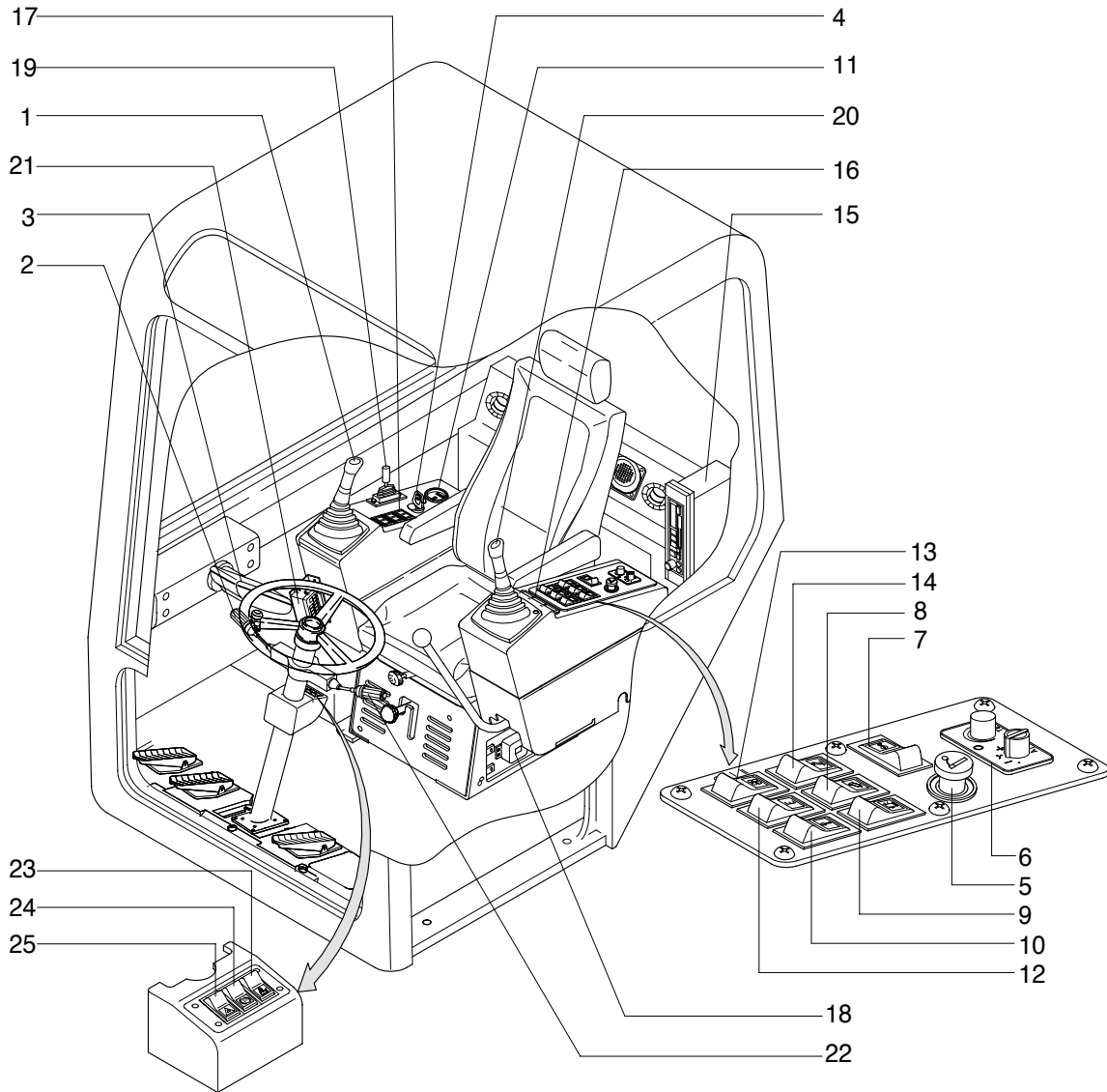


Group 1 Component Location ----- 4-1
Group 2 Monitoring System ----- 4-3
Group 3 Electrical Circuit ----- 4-12
Group 4 Electrical Component Specification ----- 4-32
Group 5 Connectors ----- 4-41

SECTION 4 ELECTRICAL SYSTEM

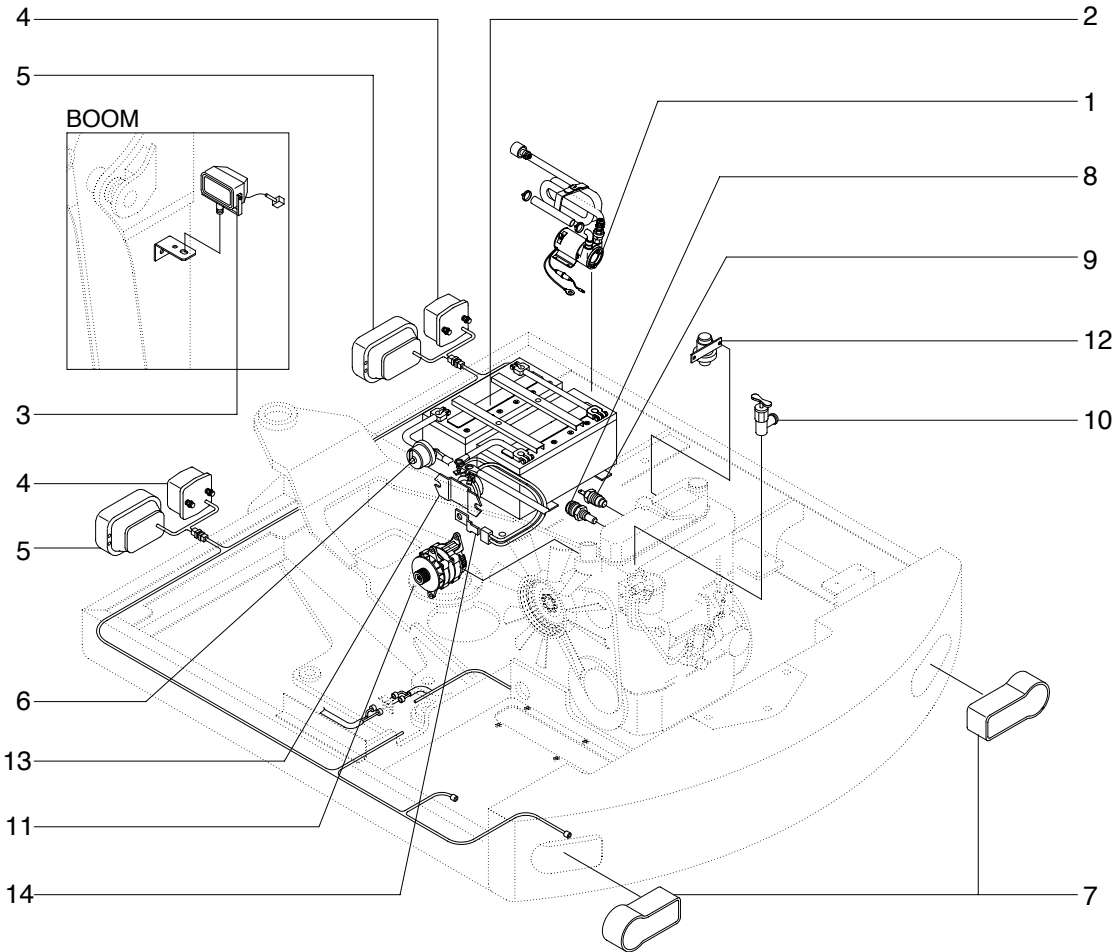
GROUP 1 COMPONENT LOCATION

1. LOCATION 1



- | | | | | | |
|---|---------------------------|----|-----------------------------------|----|----------------------------|
| 1 | Horn switch | 10 | Boom offset switch | 18 | Check unit & relay |
| 2 | RH multifunction switch | 11 | Service meter | 19 | Dozer & outrigger lever |
| 3 | Cluster | 12 | Mode select switch | 20 | Breaker push button switch |
| 4 | Starting switch | 13 | Heater switch | 21 | Fuse box |
| 5 | Cigar lighter | 14 | Outrigger & dozer selector switch | 22 | LH multifunction switch |
| 6 | Aircon switch | 15 | Cassette & radio | 23 | Ram lock switch |
| 7 | Overload switch(Optional) | 16 | Warning indicator 1 | 24 | Parking brake switch |
| 8 | Breaker switch(Optional) | 17 | Warning indicator 2 | 25 | Hazard switch |
| 9 | Beacon switch(Optional) | | | | |

2. LOCATION 2



- | | | |
|--------------------------|------------------------------|--------------------|
| 1 Fuel filler pump | 6 Master switch | 11 Alternator |
| 2 Battery | 7 Rear combination lamp | 12 Start relay |
| 3 Work light | 8 Temperature sensor | 13 Battery relay |
| 4 Front combination lamp | 9 Engine oil pressure switch | 14 Connector plate |
| 5 Head lamp | 10 Heater valve | |