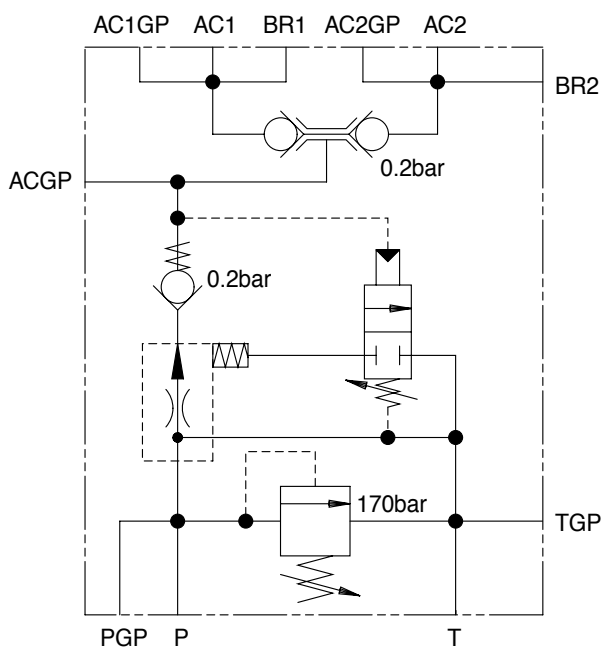
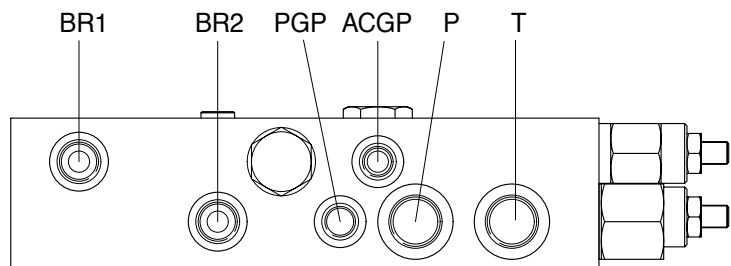
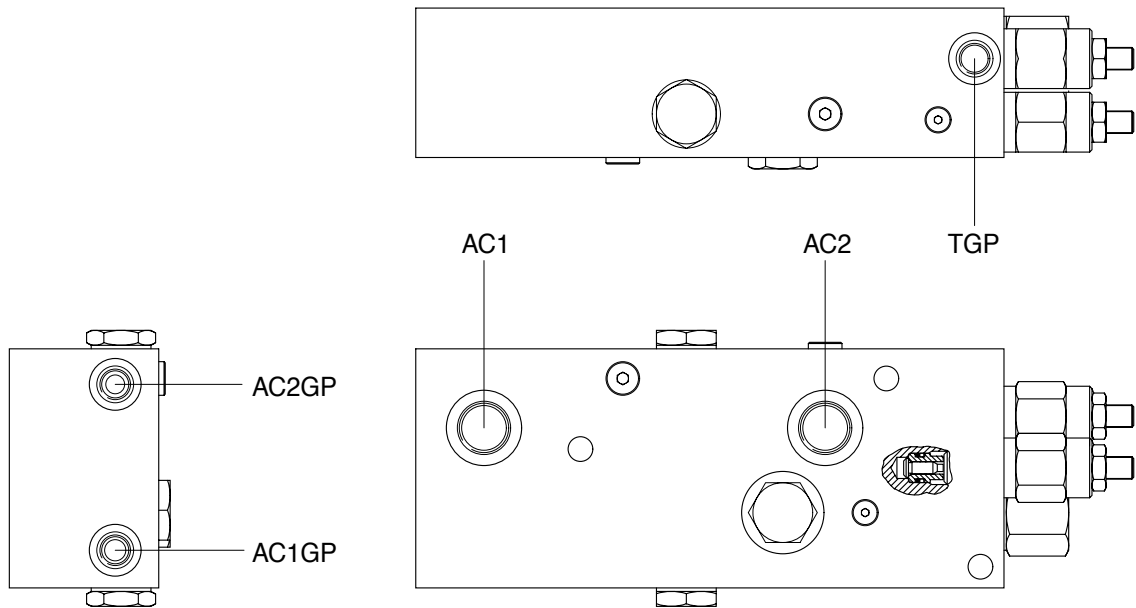


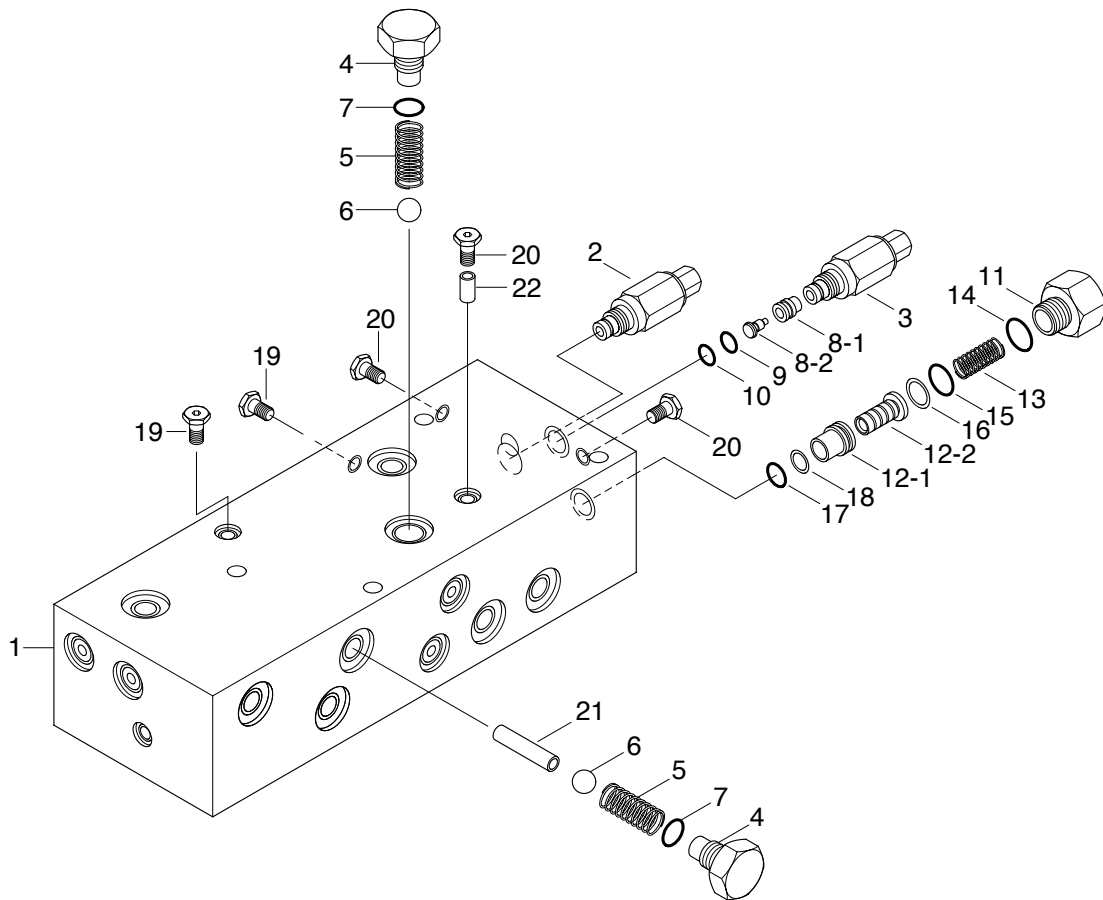
GROUP 12 BRAKE SUPPLY VALVE

1. STRUCTURE



Port name	Port size
P, T, AC1, AC2	PF 1/2
BR1, BR2	PF 3/8
PGP, TGP, AC1GP, AC2GP, ACGP	PF 1/4

2. COMPONENT



1	Block	9	Back up ring	17	O-ring
2	Relief valve assy	10	O-ring	18	Back up ring
3	Unload valve assy	11	Retainer	19	Hex hollow plug
4	Check retainer	12	Honed assembly	20	Hex hollow plug
5	Check spring	13	Spring	21	Plunger
6	Chrome ball	14	O-ring	23	Orifice plug
7	O-ring	15	O-ring		
8	Honed assembly	16	Back up ring		