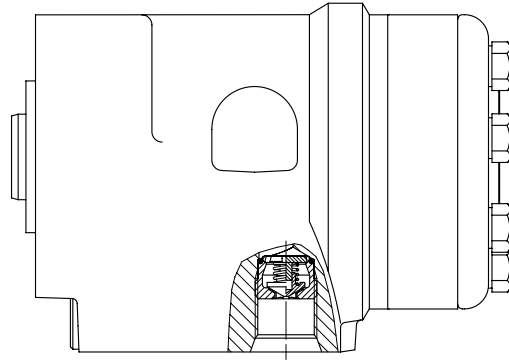
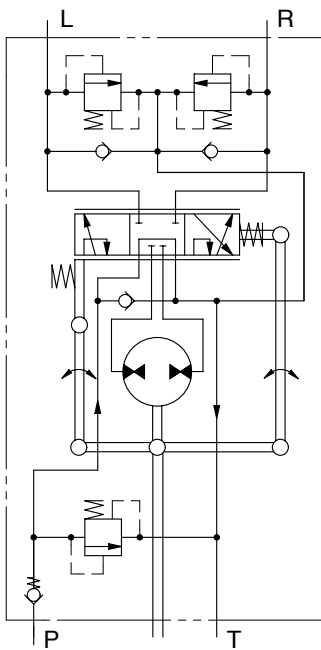
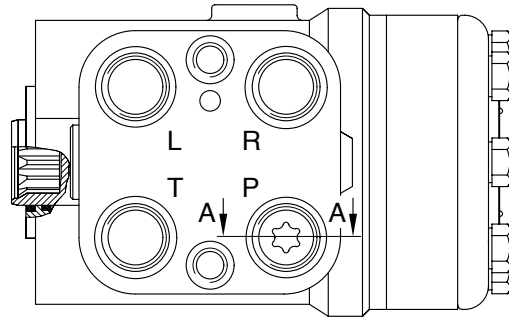
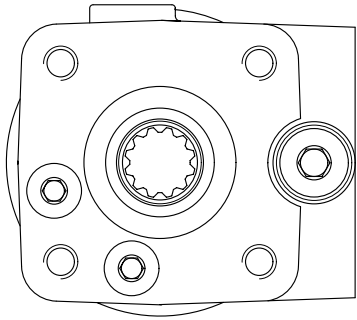


# GROUP 10 STEERING VALVE

## 1. STRUCTURE



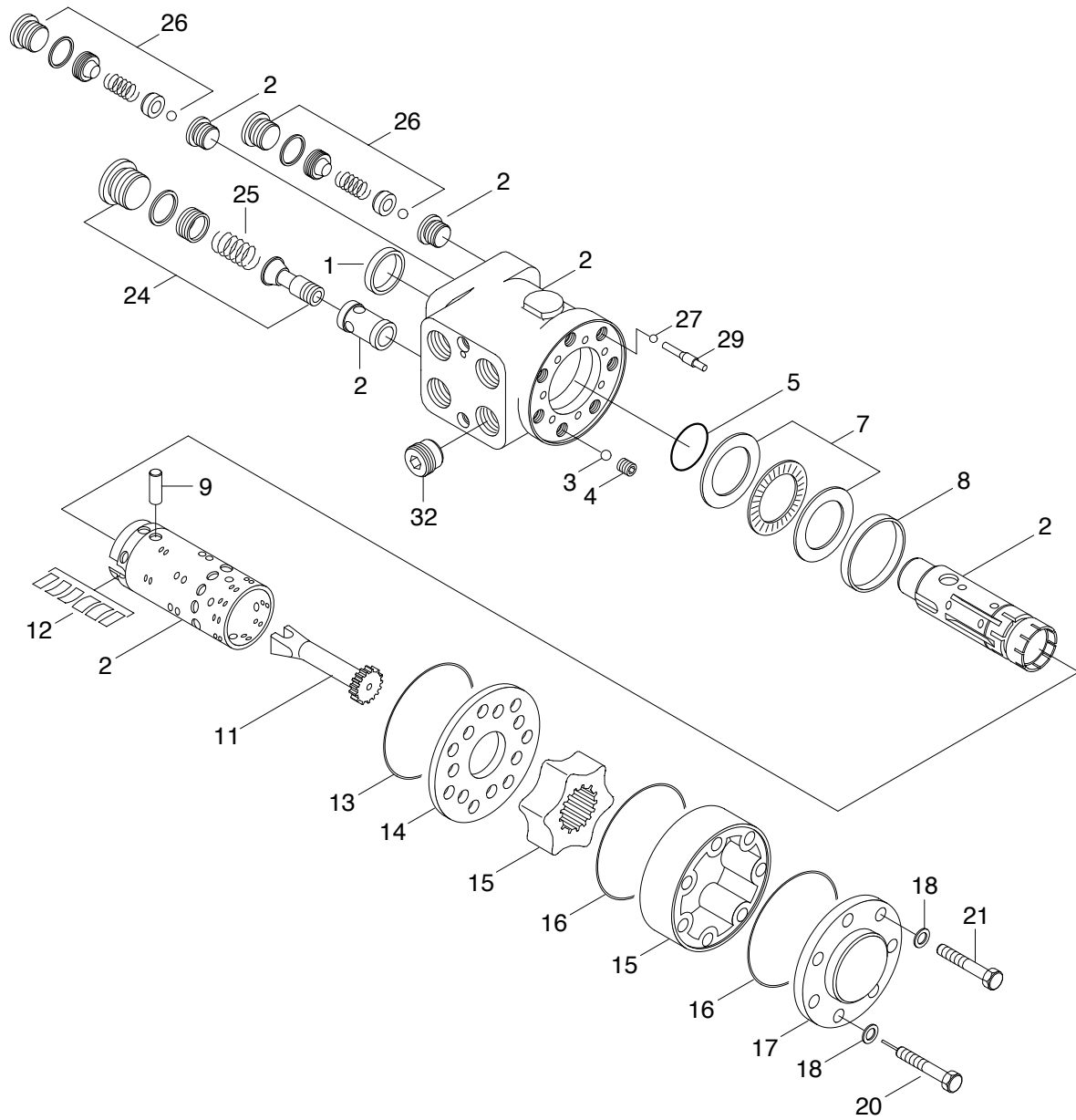
Section A-A



Hydraulic circuit

Port	Port name	Port size
L	Left port	3/4-16UNF
R	Right port	
T	Tank port	
P	Pump port	

## 2. COMPONENTS



- |    |                |    |                   |    |                       |
|----|----------------|----|-------------------|----|-----------------------|
| 1  | Dust seal ring | 12 | Spring set        | 22 | Name plate            |
| 2  | *Housing assy  | 13 | O-ring            | 23 | Drive screw           |
| 3  | Ball           | 14 | Distributor plate | 24 | Pressure relief valve |
| 4  | Bushing        | 15 | Gear wheel set    | 25 | Wire spring           |
| 5  | O-ring         | 16 | O-ring            | 26 | Shock valve           |
| 7  | Bearing assy   | 17 | End cover         | 27 | Ball                  |
| 8  | Ring           | 18 | Washer            | 29 | Bushing               |
| 9  | Cross pin      | 20 | Pin screw         | 32 | Check valve           |
| 11 | Shaft          | 21 | Screw             |    |                       |