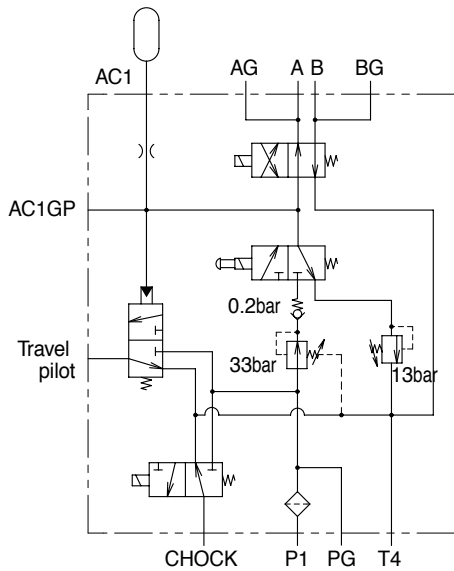
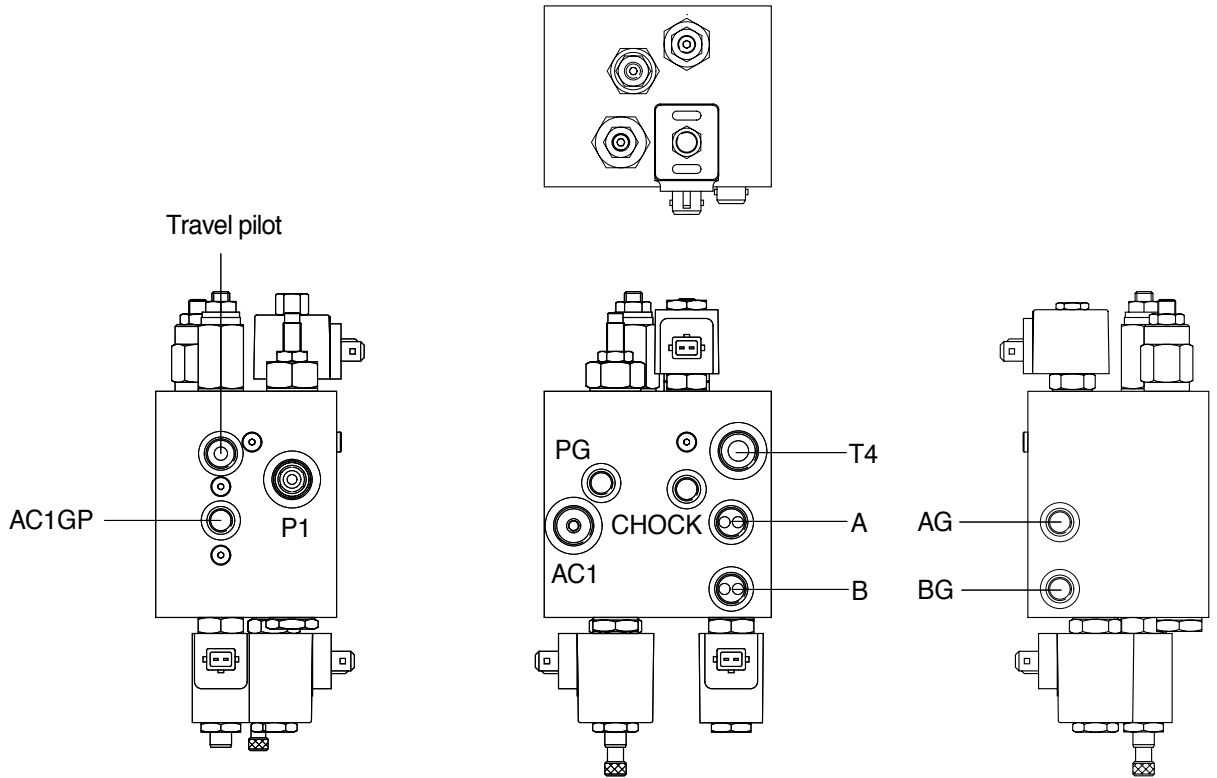


GROUP 9 TRANSMISSION CONTROL VALVE

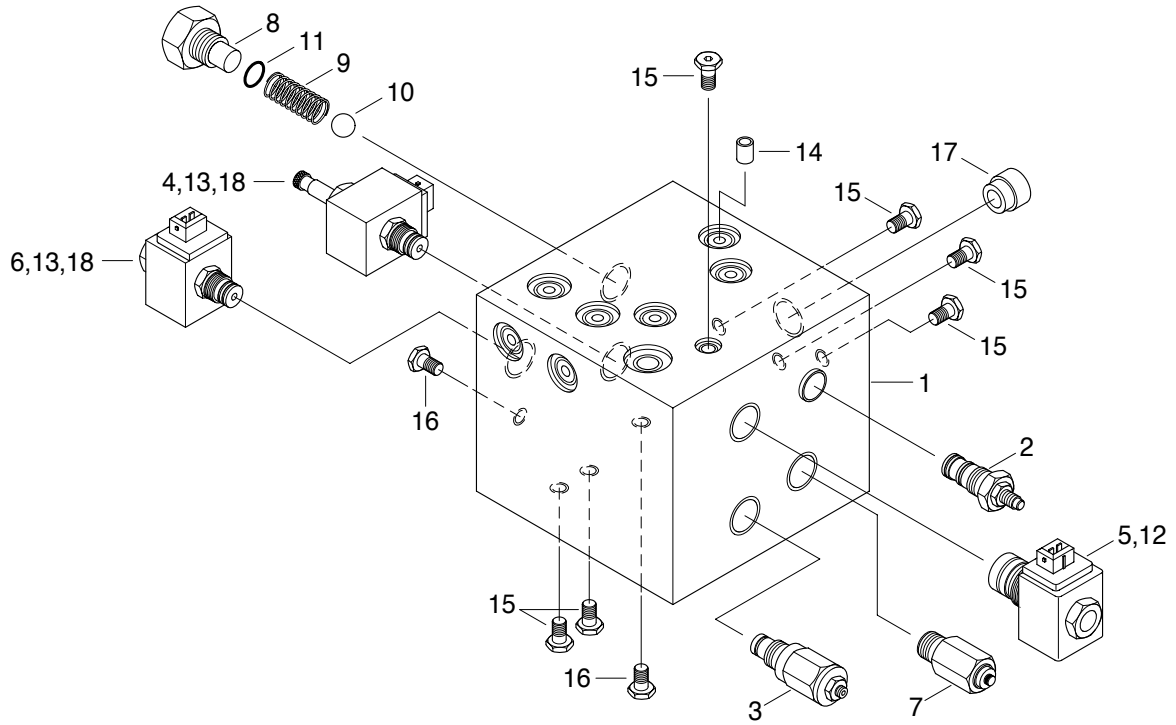
1. STRUCTURE



Hydraulic circuit

Port name	Port size
P1, T4, AC1	PF 1/2
Travel pilot, CHOCK, A, B, AC1GP	PF 3/8
AG, BG, PG	PF 1/4

2. COMPONENT



1	Block	7	Pilot valve	13	Coil connector
2	Pressure reducer assy	8	Check retainer	14	Orifice plug
3	Relief valve assy	9	Check spring	15	Hex hollow plug
4	Solenoid valve	10	Chrome ball	16	Hex hollow plug
5	Solenoid valve	11	O-ring	17	Filter retainer
6	Solenoid valve	12	Coil connector	18	Coil retainer nut