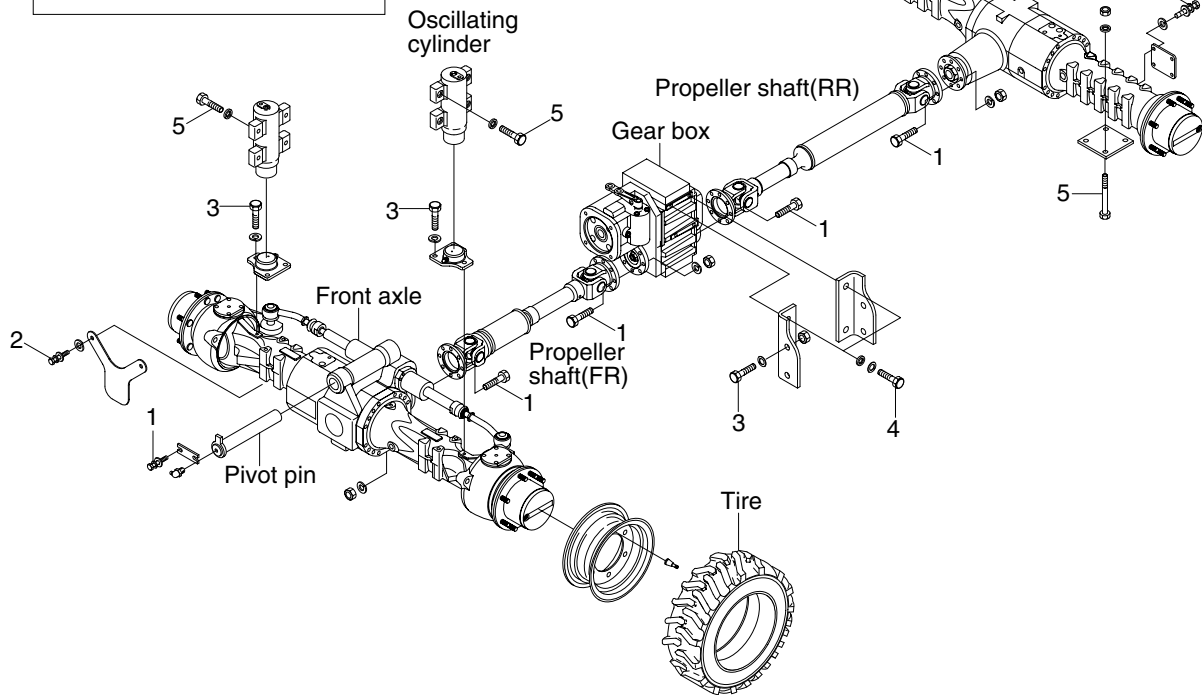
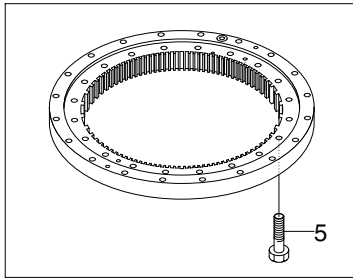


GROUP 5 POWER TRAIN

Swing bearing



55W98CM08

· Tightening torque

Item	Size	kgf · m	lbf · ft
1	M10×1.5	6.9±1.4	49.9±10.1
2	M10×1.5	12.3±2.5	89±18
3	M12×1.75	12.8±3.0	92.6±21.7

Item	Size	kgf · m	lbf · ft
4	M14×2.0	20.0±2.0	145±14.0
5	M16×2.0	29.7±4.5	215±32.5
6	M18×2.0	41.0±5.0	297±36.0