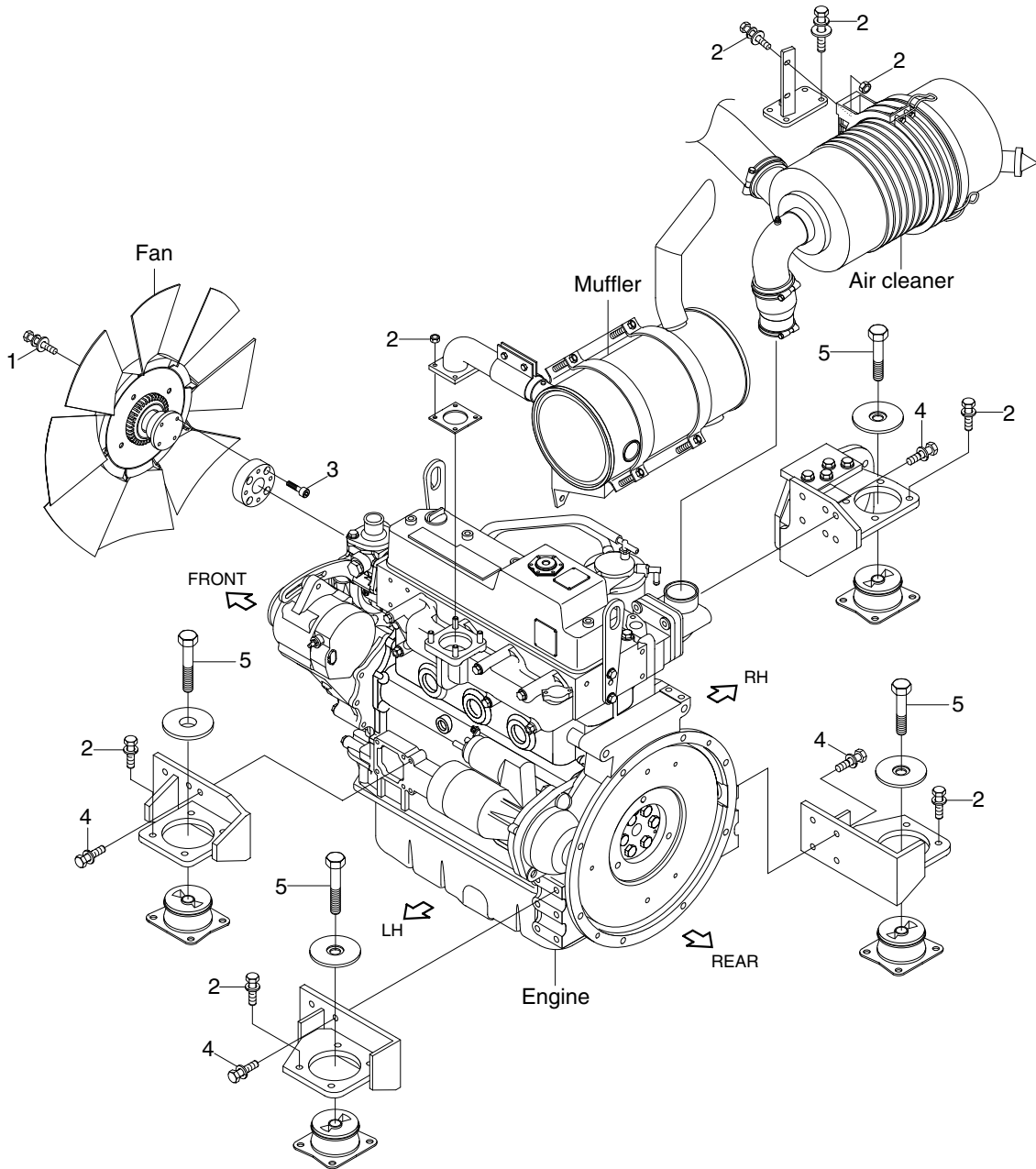


# GROUP 2 ENGINE SYSTEM

## 1. ENGINE AND ACCESSORIES MOUNTING



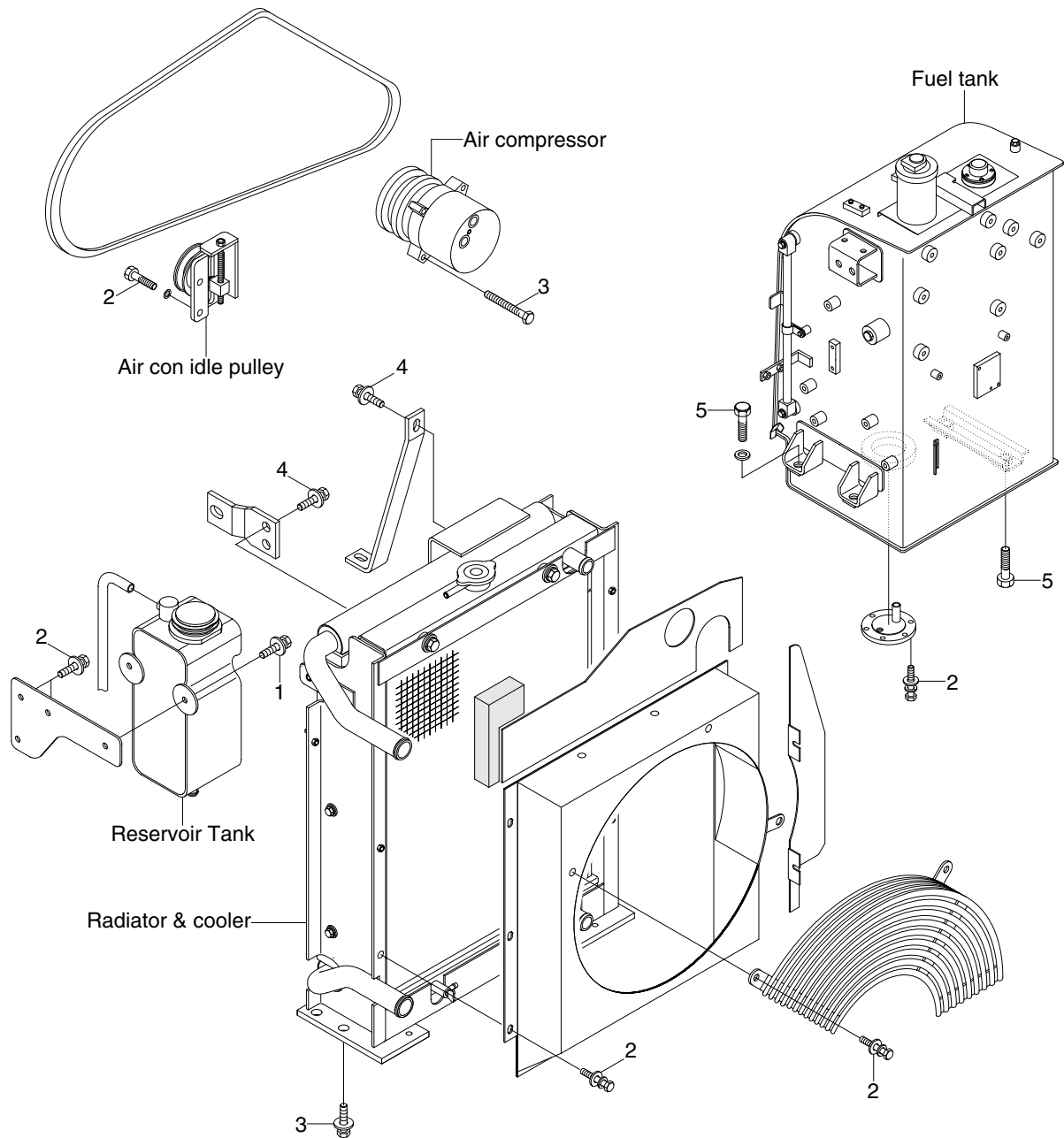
5598CM01

### · Tightening torque

Item	Size	kgf · m	lbf · ft
1	M 8×1.25	1.8±0.2	13.0±1.4
2	M 8×1.25	2.5±0.5	18.1±3.6
3	M 8×1.25	3.0±0.2	21.7±1.4

Item	Size	kgf · m	lbf · ft
4	M10×1.5	6.9±1.0	49.9±7.2
5	M16×2.0	25±2.5	181±18

## 2. COOLING SYSTEM AND FUEL TANK MOUNTING



5598CM02

### · Tightening torque

Item	Size	kgf · m	lbf · ft
1	M 6×1.0	1.05±0.2	7.6±1.45
2	M 8×1.25	2.5±0.5	18.1±3.6
3	M10×1.25	6.9±1.4	49.9±10.1

Item	Size	kgf · m	lbf · ft
4	M12×1.75	12.8±3.0	92.6±21.7
5	M16×2.0	25±2.5	181±18.1