

GROUP 5 CONNECTORS

1. CONNECTOR DESTINATION

Connector number	Type	No. of pin	Destination	Connector part No.	
				Female	Male
CN-1	AMP	16	Cabin room harness	368047-1	368050-1
CN-2	AMP	15	l/conn (Cabin room harness-Frame harness)	2-85262-1	368301-1
CN-3	YAZAKI	2	l/conn (Cabin room harness)	S813-030201	S813-130201
CN-4	AMP	16	l/conn (Cabin room harness-Frame harness)	368047-1	368050-1
CN-5	AMP	15	Cabin room harness	2-85262-1	368301-1
CN-6	DEUTSCH	4	l/conn (Cabin harness-Cabin room harness)	DT06-4S-EP06	DT04-4P-E005
CN-7	DEUTSCH	8	l/conn (Aircon harness-Frame harness)	DT06-8S	-
CN-8	AMP	15	Cabin room harness	2-85262-1	368301-1
CN-12	AMP	2	l/conn (Boom harness-Main harness)	S816-002002	S816-102002
CN-16	AMP	6	Emergency engine start	S816-006002	S816-106002
CN-20	DEUTSCH	2	Horn	DT06-2S-EP06	-
CN-21	AMP	4	Wiper motor	180900-0	-
CN-22	KET	2	Washer tank	MG640605	-
CN-23	KET	2	Speaker LH	MG610070	-
CN-24	KET	2	Speaker RH	MG610070	-
CN-25	DEUTSCH	2	Horn	DT06-2S-EP06	-
CN-27	-	16	Cassette radio	PK145-16017	-
CN-28	AMP	1	Air-con comp	S810-001002	-
CN-29	KET	2	Receiver dryer	MG640795	-
CN-36	-	-	Fuse box	21L7-00250	-
CN-45	TERM	1	Starter	ST710246-2	-
CN-51	DEUTSCH	40	Governor DC motor controller	DRC26-40SA	-
CN-52	DEUTSCH	24	Governor DC motor controller	DRC26-24SA	-
CN-56	AMP	12	Cluster	175967-2	-
CN-57	AMP	16	Cluster	175966-2	-
CN-60	YAZAKI	2	Fusible link	-	7122-4125-50
CN-61	TERM	1	Fuel filler pump	S822-014000	-
CN-66	DEUTSCH	2	Breaker solenoid	DT06-2S-EP06	-
CN-68	DEUTSCH	2	Safety solenoid	DT06-2S-EP06	-
CN-69	DEUTSCH	2	Ramlock solenoid	DT06-2S-EP06	-
CN-70	DEUTSCH	2	Travel solenoid	DT06-2S-EP06	-
CN-71	DEUTSCH	2	Parking solenoid	DT06-2S-EP06	-
CN-80	RING-TERM	1	Air heater	ST710285-2	-
CN-81	DEUTSCH	2	Travel buzzer	DT06-2S-EP06	DT04-2P-E005
CN-83	KET	2	Air-con fan	MG640188-5	-
CN-92AB	KET	1	Safety	S814-001100	S814-101100

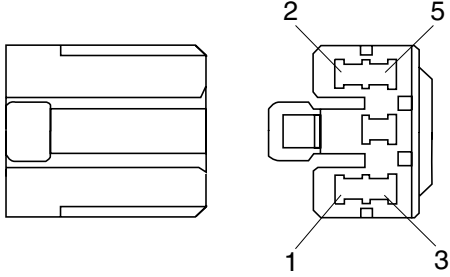
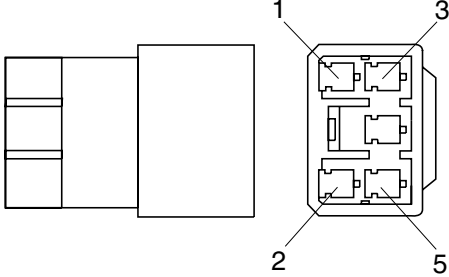
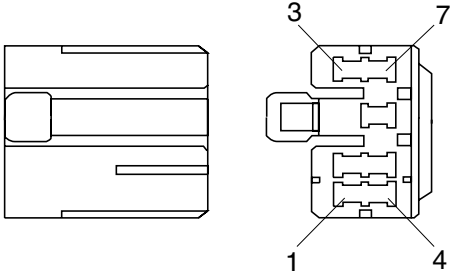
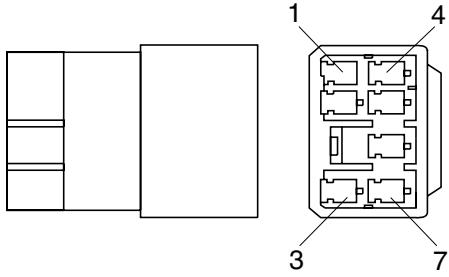
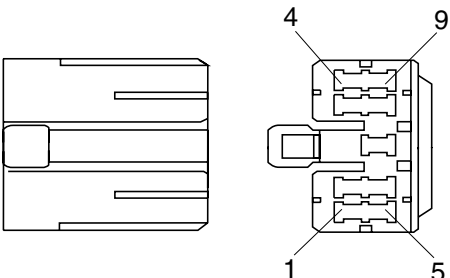
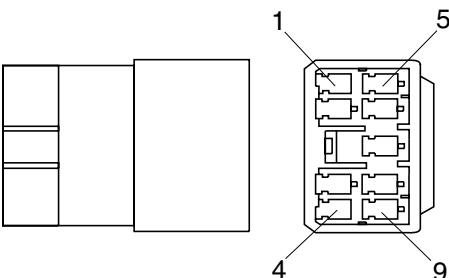
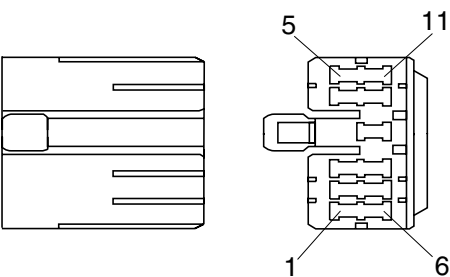
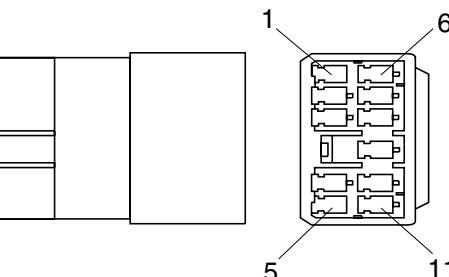
Connector number	Type	No. of pin	Destination	Connector part No.	
				Female	Male
CN-93	FCI	48	ECU	PP1000443	-
CN-95	YAZAKI	2	Fusible link	-	S813-130201
CN-97	AMP	12	Multifunction switch	S816-012002	S816-112002
CN-98	AMP	10	Multifunction switch	S816-010002	S816-110002
CN-99	AMP	8	Multifunction switch	S816-008002	S816-108002
CN-116	AMP	12	Switch panel	368542-1	-
CN-121	DEUTSCH	2	Boom swing solenoid	DT06-2S-EP06	-
CN-122	DEUTSCH	2	Forward solenoid	DT06-2S-EP06	-
CN-123	DEUTSCH	2	Reverse solenoid	DT06-2S-EP06	-
CN-126	DEUTSCH	4	RS232	DT06-4S-EP06	DT06-4P-E005
CN-139	AMP	2	12V socket	S810-002202	-
CN-140	DEUTSCH	2	Quick clamp solenoid	DT06-2S-EP06	DT04-2P-E005
CN-142	DEUTSCH	3	Accel dial	DT06-3S-EP06	-
CN-144	KET	20	Handfree	MG610240	-
CN-145	YAZAKI	2	Fuel feed pump	7123-6423-30	-
CN-148	DEUTSCH	6	Service tool	DTM06-6S-E008	ST710285-2
CN-170	PACKARD	2	Seat heat switch	12162017	-
CN-193	SUMITOMO	6	EGR step motor	6195-0021	-
CN-194	YAZAKI	3	Rack actuator	7323-7414-40	-
CN-243	DEUTSCH	4	RS232 connector	DT06-4S-EP06	DT04-4P-E004
CN-245	AMP	12	Remote controller	368542-1	-
CN-246	AMP	12	USB and socket	174045-2	-
· LAMP					
CL-1	KET	2	Room lamp	MG610392	-
CL-2	AMP	3	Cigar lighter	S810-003202	-
CL-3	KET	3	Head lamp	S810-003702	-
CL-4	KET	3	Head lamp	S810-003702	-
CL-5	-	2	Work lamp	180923-0	-
CL-7	-	1	Beacon lamp	S822-014000	S822-114000
CL-9	DEUTSCH	2	Cabin lamp	DT06-2S-EP06	-
CL-10	DEUTSCH	2	Cabin lamp	DT06-2S-EP06	-
CL-15	DEUTSCH	6	Rear combination lamp-LH	DT06-6S-EP06	-
CL-16	DEUTSCH	6	Rear combination lamp-RH	DT06-6S-EP06	-
CL-19	AMP	2	Side maker lamp-LH	S816-002002	-
CL-20	AMP	2	Side maker lamp-RH	S816-002002	-
CL-21	KET	2	Number plate lamp	GP890469	-
CL-24	KET	3	Front combination lamp-LH	S814-003001	-
CL-25	KET	3	Front combination lamp-RH	S814-003001	-
· RELAY					
CR-1	AMP	2	Battery relay	S816-002002	S816-102002
CR-2	HELLA	5	Horn relay	S816-002002	SJA003526-001

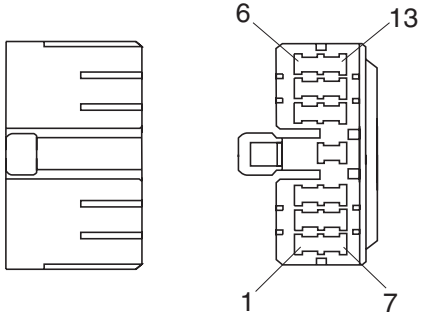
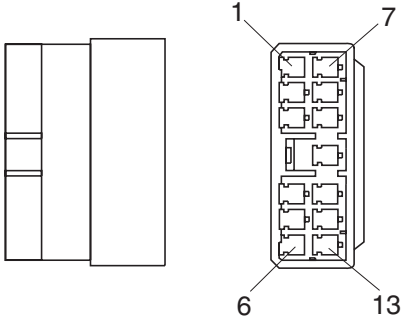
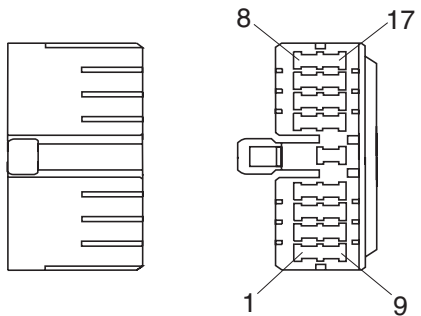
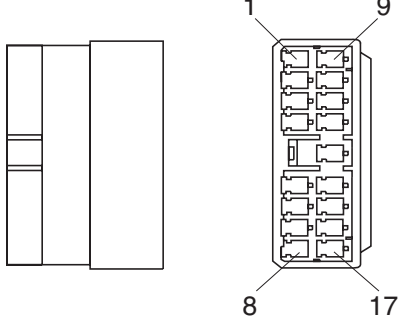
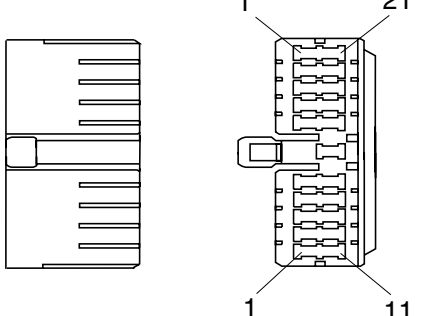
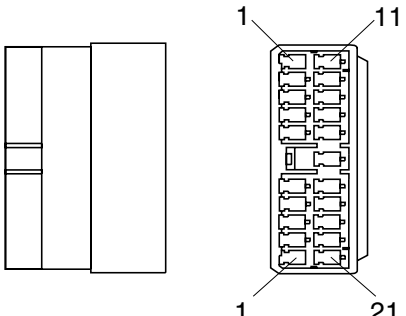
Connector number	Type	No. of pin	Destination	Connector part No.	
				Female	Male
CR-3	HELLA	5	Work lamp relay	SJA003526-001	-
CR-4	HELLA	5	Wiper relay	SJA003526-001	-
CR-5	HELLA	5	Anti-restart relay	SJA003526-001	-
CR-6	AMP	6	Int wiper relay	S810-006002	-
CR-7	HELLA	4	Aircon comp relay	SJA003526-001	-
CR-9	HELLA	4	Cabin lamp relay	SJA003526-001	-
CR-11	HELLA	3	Flasher unit relay	SJA003526-001	-
CR-13	HELLA	4	Head lamp low relay	SJA003526-001	-
CR-14	HELLA	4	Head lamp high relay	SJA003526-001	-
CR-23	KET	2	Start relay	S814-002001	-
	HMC	2		S810-002302	-
CR-24	KET	2	Air heater relay	S814-002001	-
	HMC	2		S810-002302	-
CR-29	HELLA	4	Forward relay	SJA003526-001	-
CR-30	HELLA	4	Reverse relay	SJA003526-001	-
CR-33	HELLA	4	Air-con fan relay	SJA003526-001	-
CR-36	HELLA	4	Pre-heater relay	SJA003526-001	-
CR-38	HELLA	4	Neutral relay	SJA003526-001	-
CR-45	HELLA	4	ECU power relay	SJA003526-001	-
CR-62	HELLA	4	Breaker relay	SJA003526-001	-
CR-63	HELLA	4	Stop lamp relay	SJA003526-001	-
CR-67	AMP	2	Rack actuator	S816-002002	-
CR-68	AMP	6	ECU main power	S816-002002	-
CR-71	HELLA	4	Boom swing relay	SJA003526-001	-
CR-75	HELLA	4	Illumination relay	SJA003526-001	-
CR-78	HELLA	4	Head lamp relay	SJA003526-001	-
CR-85	HELLA	4	Beacon lamp relay	SJA003526-001	-
· SENDER					
CD-1	AMP	2	Hydraulic temp sender	85202-1	-
CD-2	AMP	2	Fuel sender	-	S816-102002
CD-3	DEUTSCH	2	Brake oil pressure switch	DT06-3S-EP06	-
CD-4	DEUTSCH	2	Stop lamp pressure switch	DT06-3S-EP06	-
CD-7	DEUTSCH	2	Auto idle pressure switch	DT06-3S-EP06	-
CD-8	AMP	2	Water temp sender	1-178390-2	-
CD-10	KET	1	Air cleaner switch	GP890469	-
CD-17	SUMITOMO	2	Tacho sensor	6189-0552	-
CD-18	AMP	1	Engine oil pressure switch	171809-2	-
CD-26	DEUTSCH	3	Parking pressure switch	DT06-3S-EP06	-
CD-30	AMP	2	Water temp	85202-1	-

Connector number	Type	No. of pin	Destination	Connector part No.	
				Female	Male
CD-38	DEUTSCH	2	Stop (shift cont)	DT06-3S-EP06	-
CD-62	YAZAKI	3	CSD	7323-7414-40	-
· SWITCH					
CS-2	KET	6	Start key switch	S814-006000	-
CS-4	AMP	3	Safety switch	S816-003002	-
CS-5	DEUTSCH	2	Horn-switch	DT06-2S-EP05	-
CS-26	-	2	Breaker switch	DT06-2S-EP06	-
CS-47	SWF	10	Boom swing switch	589790	-
CS-67	SWF	10	Quick clamp switch	589790	-
CS-74	YAZAKI	2	Master switch	S813-030201	-
· DIODE					
DO-1	-	2	Diode (alternator)	21EA-50550	-
DO-2	-	2	Diode (fuel feed pump)	21EA-50550	-
DO-3	-	2	Diode (neutral)	21EA-50550	-

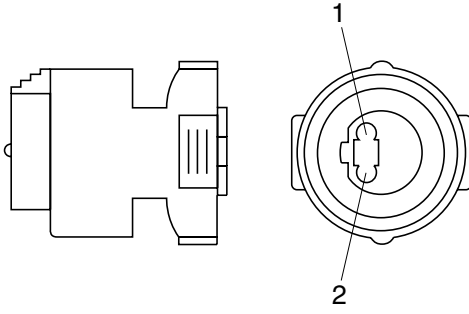
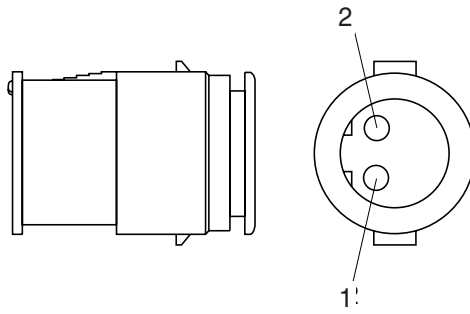
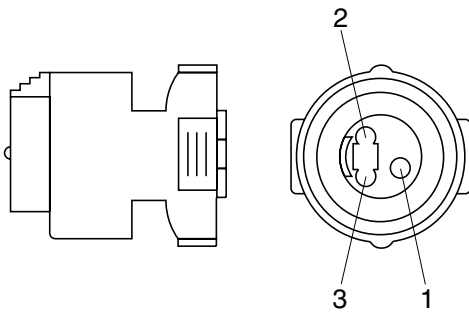
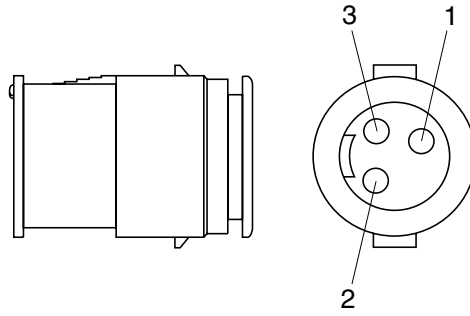
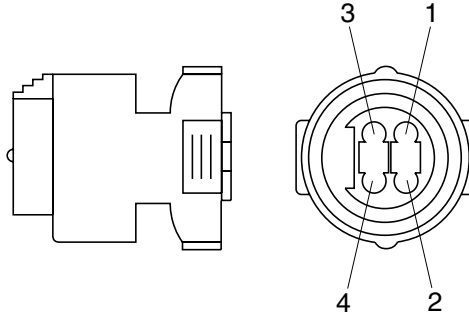
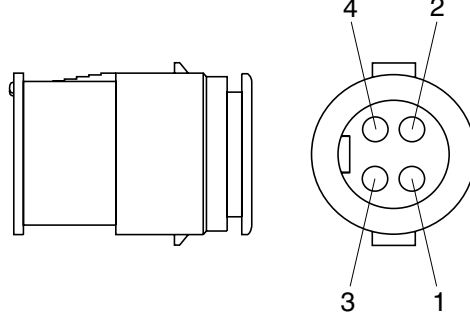
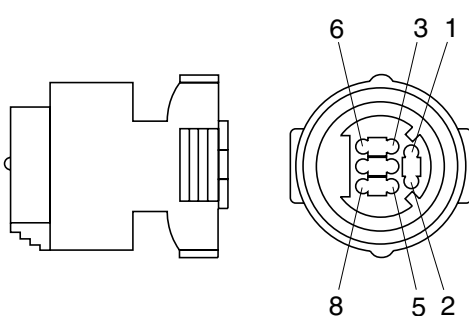
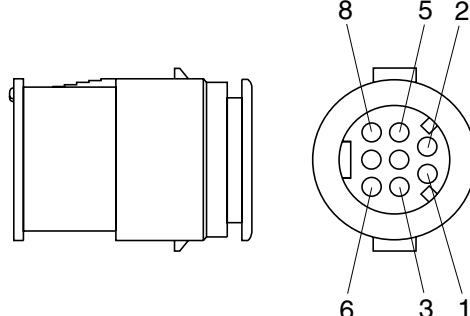
2. CONNECTION TABLE FOR CONNECTORS

1) PA TYPE CONNECTOR

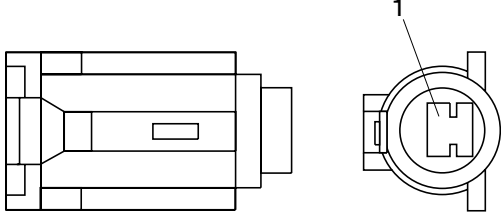
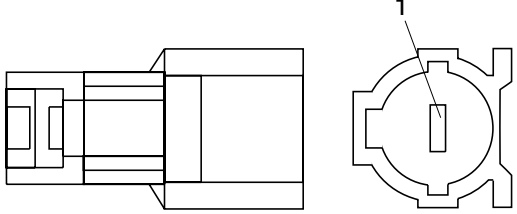
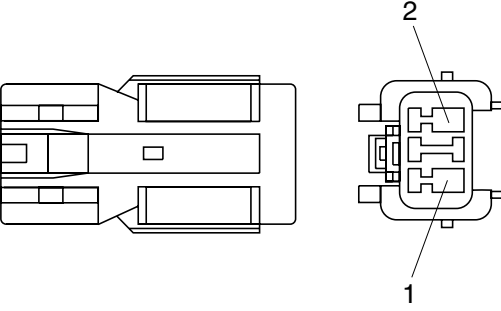
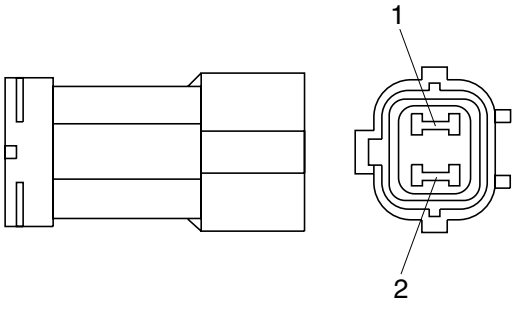
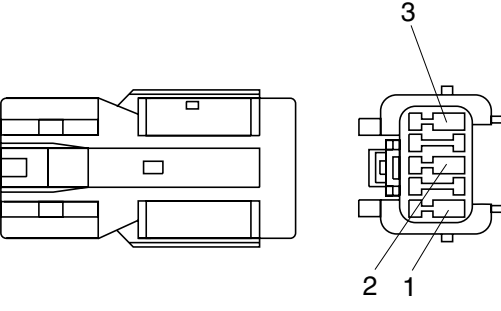
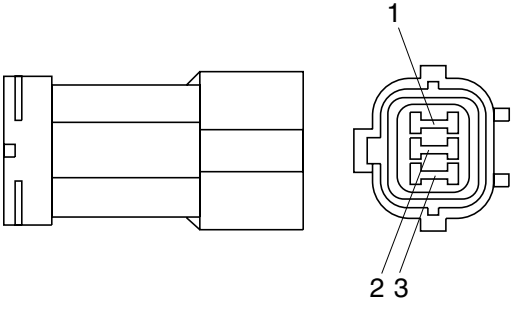
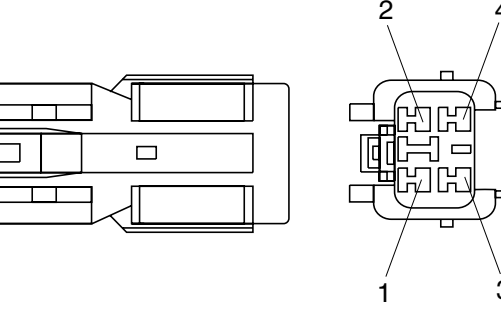
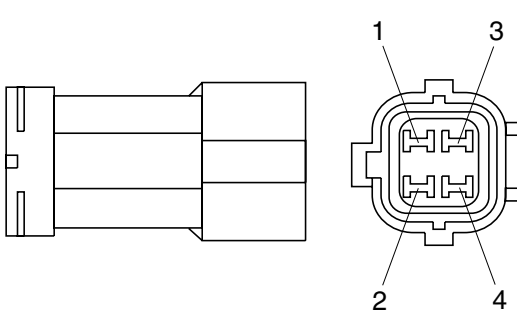
No. of pin	Connector (female)	Connector (male)
5	 <p style="text-align: center;">S811-005002</p>	 <p style="text-align: center;">S811-105002</p>
7	 <p style="text-align: center;">S811-007002</p>	 <p style="text-align: center;">S811-107002</p>
9	 <p style="text-align: center;">S811-009002</p>	 <p style="text-align: center;">3S811-109002</p>
11	 <p style="text-align: center;">S811-011002</p>	 <p style="text-align: center;">S811-111002</p>

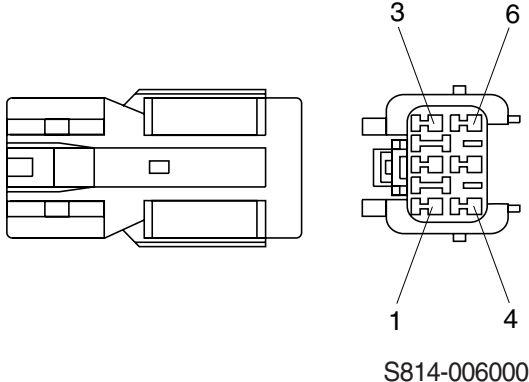
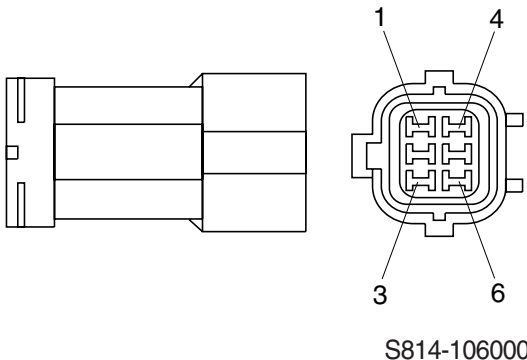
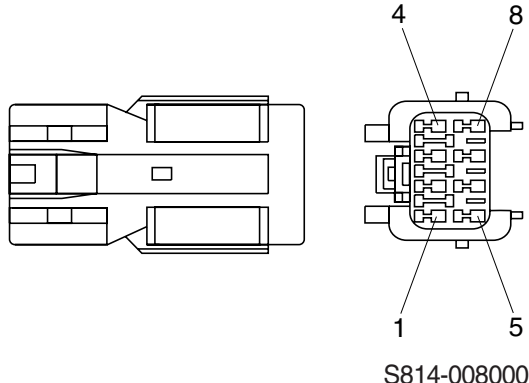
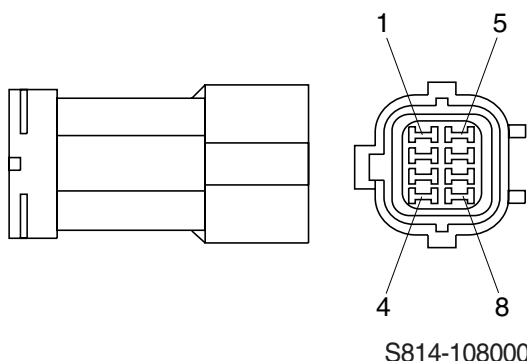
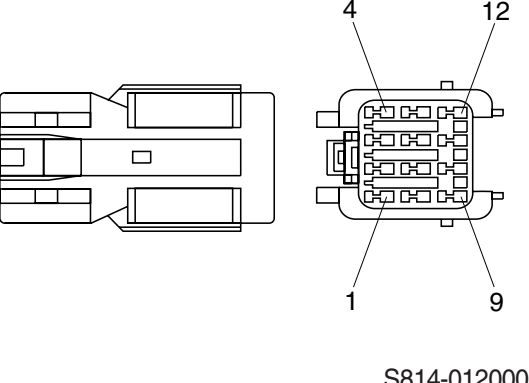
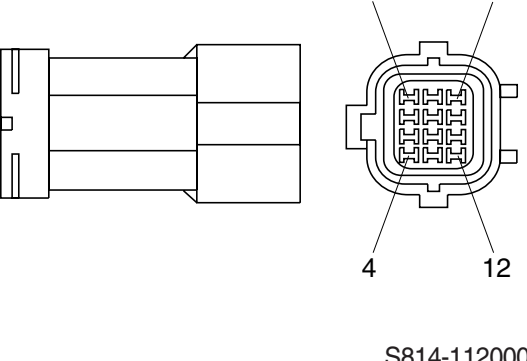
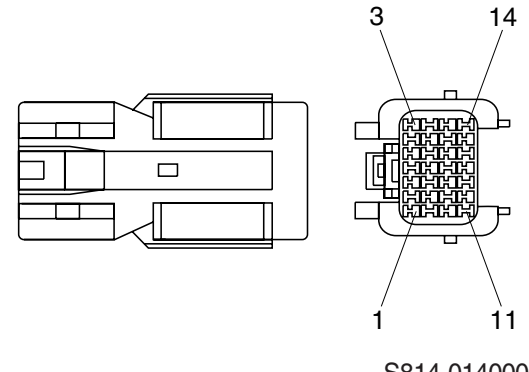
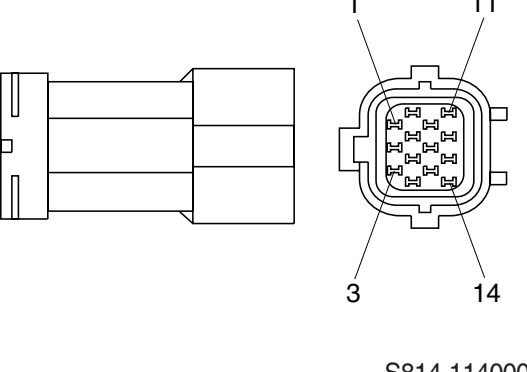
No. of pin	Connector (female)	Connector (male)
13	 <p data-bbox="686 638 837 672">S811-013002</p>	 <p data-bbox="1244 638 1396 672">S811-113002</p>
17	 <p data-bbox="686 1041 837 1075">S811-017002</p>	 <p data-bbox="1244 1041 1396 1075">S811-117002</p>
21	 <p data-bbox="686 1444 837 1478">S811-021002</p>	 <p data-bbox="1244 1444 1396 1478">S811-121002</p>

2) J TYPE CONNECTOR

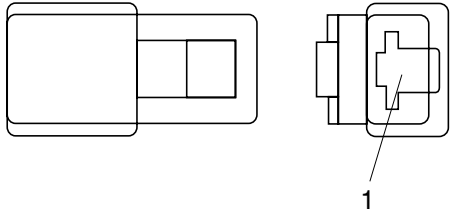
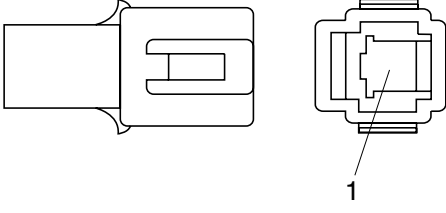
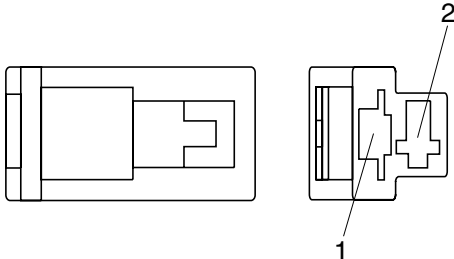
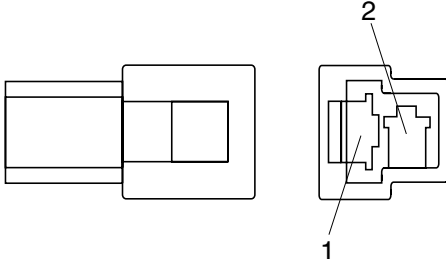
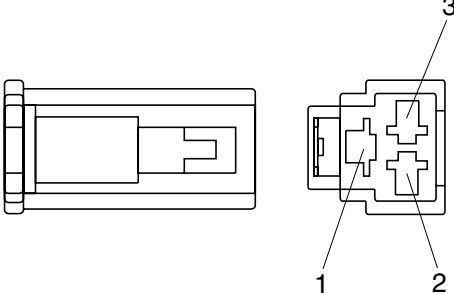
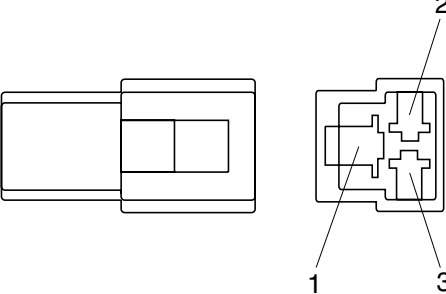
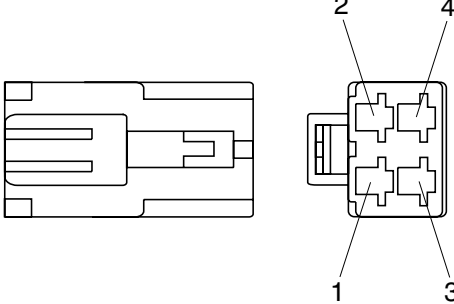
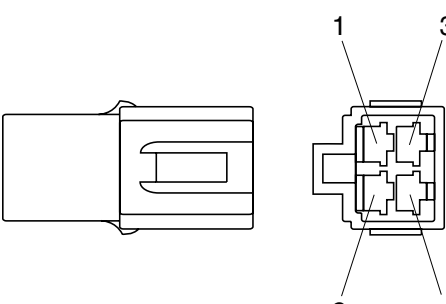
No. of pin	Connector (female)	Connector (male)
2	 <p data-bbox="686 683 829 705">S816-002001</p>	 <p data-bbox="1236 683 1380 705">S816-102001</p>
3	 <p data-bbox="686 1086 829 1108">S816-003001</p>	 <p data-bbox="1236 1086 1380 1108">S816-103001</p>
4	 <p data-bbox="686 1489 829 1512">S816-004001</p>	 <p data-bbox="1236 1489 1380 1512">S816-104001</p>
8	 <p data-bbox="686 1892 829 1915">S816-008001</p>	 <p data-bbox="1236 1892 1380 1915">S816-108001</p>

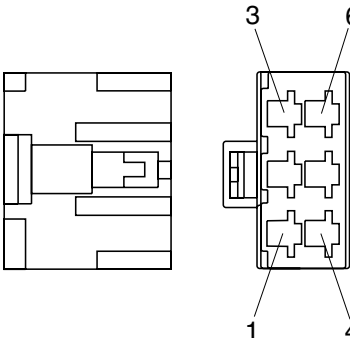
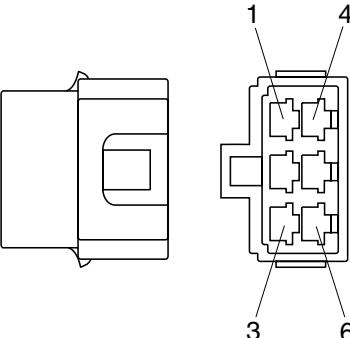
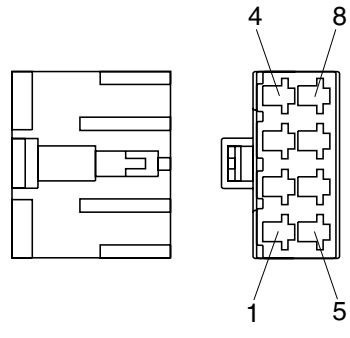
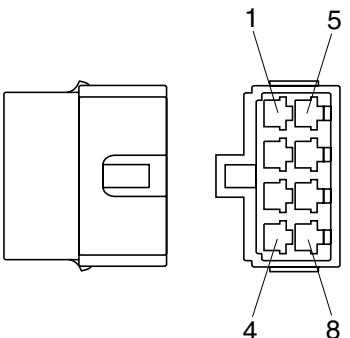
3) SWP TYPE CONNECTOR

No. of pin	Connector (female)	Connector (male)
1	 <p data-bbox="687 680 836 707">S814-001000</p>	 <p data-bbox="1241 680 1390 707">S814-101000</p>
2	 <p data-bbox="687 1088 836 1115">S814-002000</p>	 <p data-bbox="1241 1088 1390 1115">S814-102000</p>
3	 <p data-bbox="687 1494 836 1520">S814-003000</p>	 <p data-bbox="1241 1494 1390 1520">S814-103000</p>
4	 <p data-bbox="687 1895 836 1921">S814-004000</p>	 <p data-bbox="1241 1895 1390 1921">S814-104000</p>

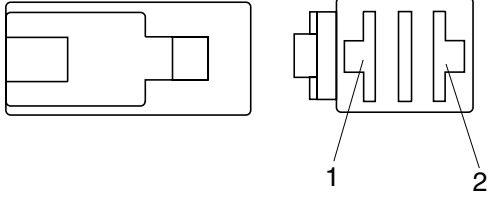
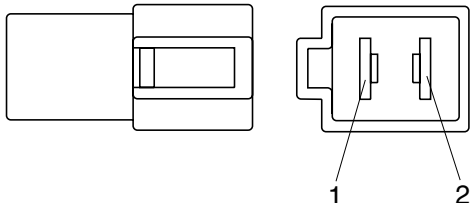
No. of pin	Connector (female)	Connector (male)
6	 <p>S814-006000</p>	 <p>S814-106000</p>
8	 <p>S814-008000</p>	 <p>S814-108000</p>
12	 <p>S814-012000</p>	 <p>S814-112000</p>
14	 <p>S814-014000</p>	 <p>S814-114000</p>

4) CN TYPE CONNECTOR

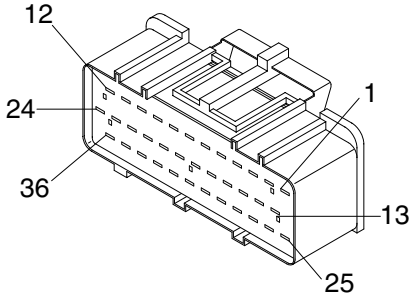
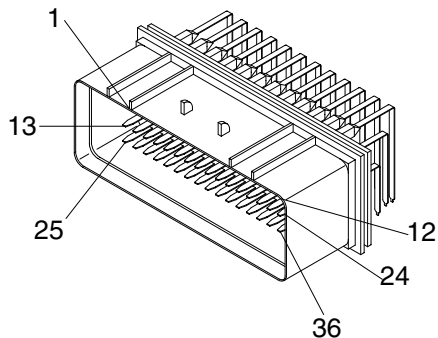
No. of pin	Connector (female)	Connector (male)
1	 <p style="text-align: center;">S810-001202</p>	 <p style="text-align: center;">S810-101202</p>
2	 <p style="text-align: center;">S810-002202</p>	 <p style="text-align: center;">S810-102202</p>
3	 <p style="text-align: center;">S810-003202</p>	 <p style="text-align: center;">S810-103202</p>
4	 <p style="text-align: center;">S810-004202</p>	 <p style="text-align: center;">S810-104202</p>

No. of pin	Connector (female)	Connector (male)
6	 <p style="text-align: center;">S810-006202</p>	 <p style="text-align: center;">S810-106202</p>
8	 <p style="text-align: center;">S810-008202</p>	 <p style="text-align: center;">S810-108202</p>

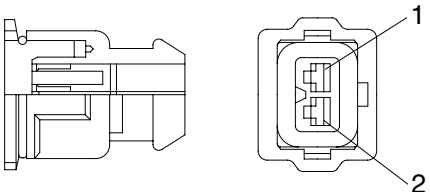
5) 375 FASTEN TYPE CONNECTOR

No. of pin	Connector (female)	Connector (male)
2	 <p style="text-align: center;">S810-002402</p>	 <p style="text-align: center;">S810-102402</p>

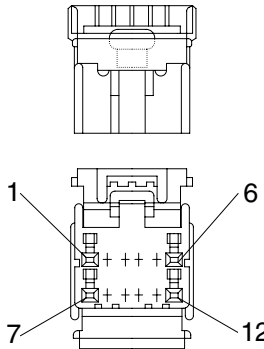
6) AMP ECONOSEAL CONNECTOR

No. of pin	Connector (female)	Connector (male)
36	 <p style="text-align: center;">344111-1</p>	 <p style="text-align: center;">344108-1</p>

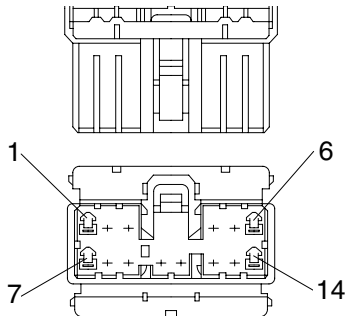
7) AMP TIMER CONNECTOR

No. of pin	Connector (female)	Connector (male)
2	 <p style="text-align: center;">85202-1</p>	

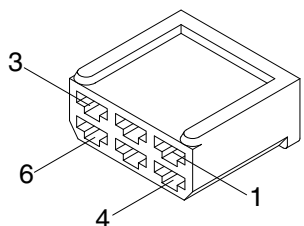
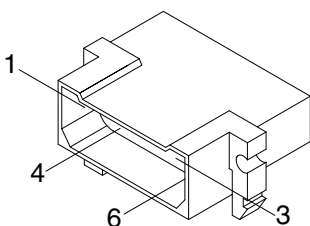
8) AMP 040 MULTILOCK CONNECTOR

No. of pin	Connector (female)	Connector (male)
12	 <p style="text-align: right;">174045-2</p>	

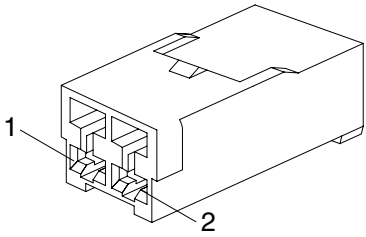
9) AMP 070 MULTILOCK CONNECTOR

No. of pin	Connector (female)	Connector (male)
14	 <p style="text-align: right;">173852</p>	

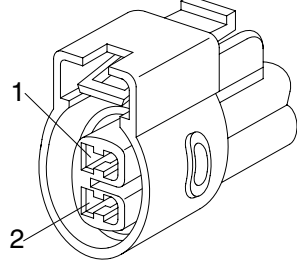
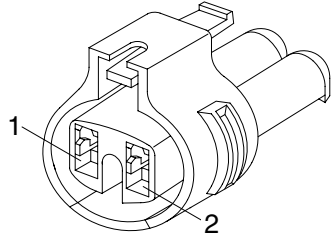
10) AMP FASTIN - FASTON CONNECTOR

No. of pin	Connector (female)	Connector (male)
6	 <p style="text-align: right;">925276-0</p>	 <p style="text-align: right;">480003-9</p>

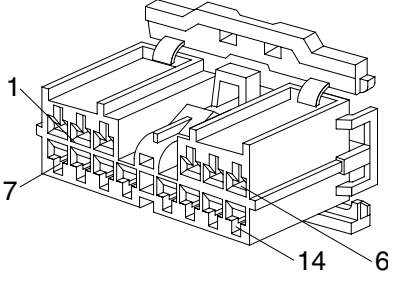
11) KET 090 CONNECTOR

No. of pin	Connector (female)	Connector (male)
2	 <p data-bbox="710 683 837 705">MG610070</p>	

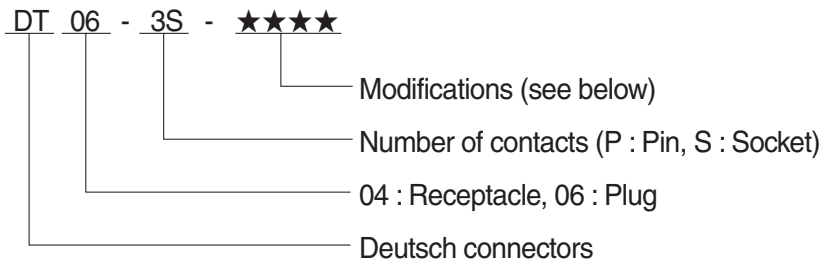
12) KET 090 WP CONNECTORS

No. of pin	Connector (female)	Connector (male)
2	 <p data-bbox="710 1265 837 1288">MG640605</p>	
2	 <p data-bbox="710 1668 837 1691">MG640795</p>	

13) KET SDL CONNECTOR

No. of pin	Connector (female)	Connector (male)
14	 <p data-bbox="715 683 837 712">MG610406</p>	

14) DEUTSCH DT CONNECTORS



※ Modification

E003 : Standard end cap - gray

E004 : Color of connector to be black

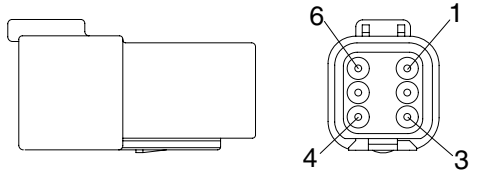
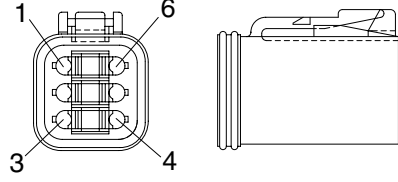
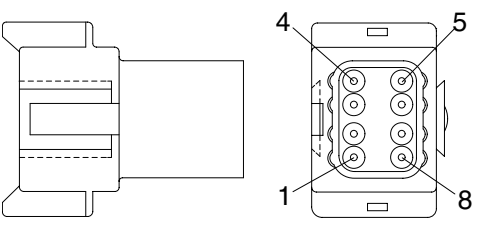
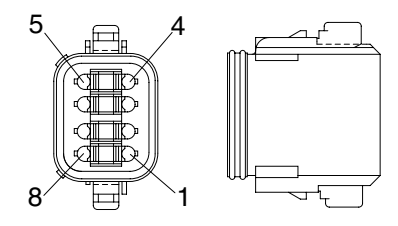
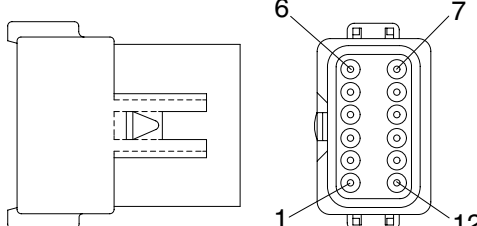
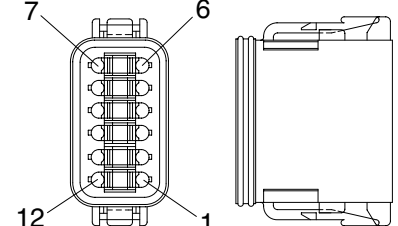
E005 : Combination - E004 & E003

EP04 : End cap

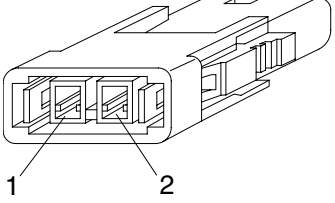
EP06 : Combination P012 & EP04

P012 : Front seal enhancement - connectors color to black for 2, 3, 4 & 6pin

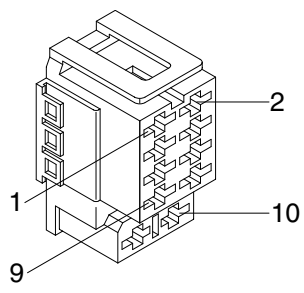
No. of pin	Connector (female)	Connector (male)
2	<p>DT06-2S</p>	<p>DT06-2P</p>
3	<p>DT06-3S</p>	<p>DT06-3P</p>
4	<p>DT06-4S</p>	<p>DT06-4P</p>

No. of pin	Connector (female)	Connector (male)
6	 <p style="text-align: center;">DT06-6S</p>	 <p style="text-align: center;">DT06-6P</p>
8	 <p style="text-align: center;">DT06-8S</p>	 <p style="text-align: center;">DT06-8P</p>
12	 <p style="text-align: center;">DT06-12S</p>	 <p style="text-align: center;">DT06-12P</p>

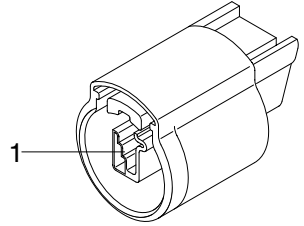
15) MOLEX 2CKTS CONNECTOR

No. of pin	Connector (female)	Connector (male)
2	 <p style="text-align: right;">35215-0200</p>	

16) ITT SWF CONNECTOR

No. of pin	Connector (female)	Connector (male)
10	 <p style="text-align: right;">SWF593757</p>	

17) MWP NMWP CONNECTOR

No. of pin	Connector (female)	Connector (male)
1	 <p style="text-align: right;">NMWP01F-B</p>	