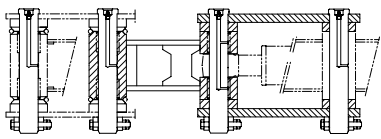
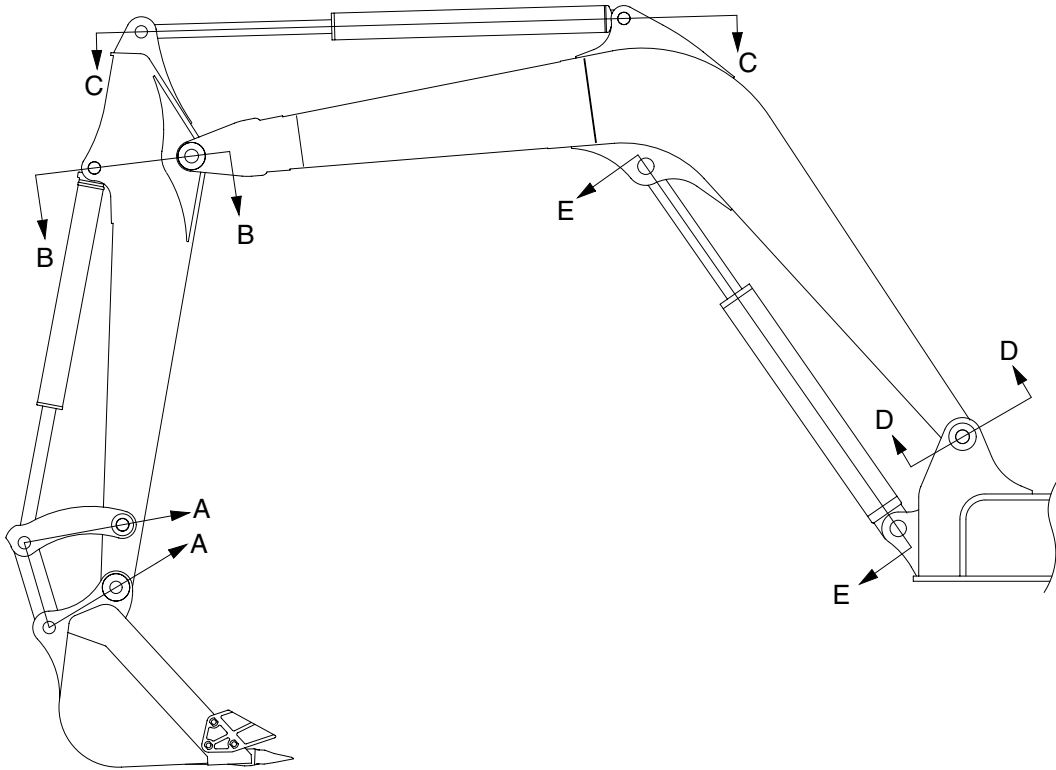
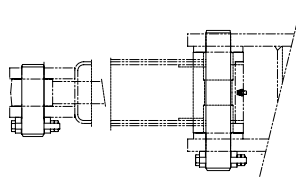


# GROUP 14 WORK EQUIPMENT

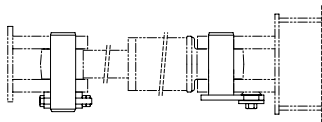
## 1. STRUCTURE



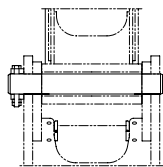
SECTION A-A



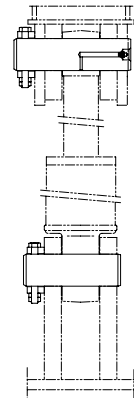
SECTION B-B



SECTION C-C



SECTION D-D



SECTION E-E

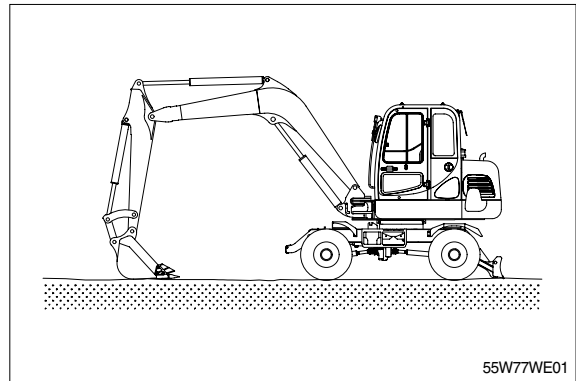
R5577AT01

## 2. REMOVAL AND INSTALL

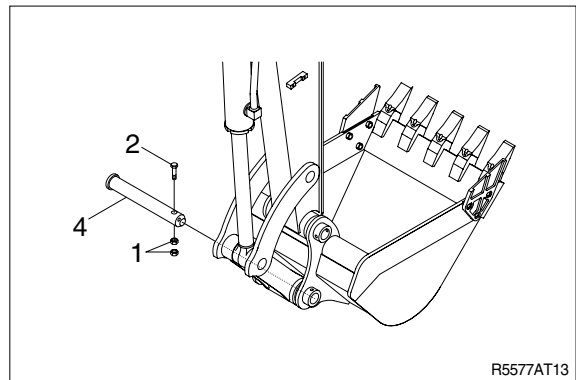
### 1) BUCKET ASSEMBLY

#### (1) Removal

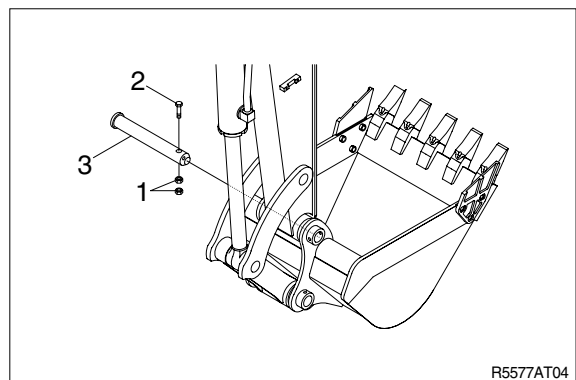
- ① Lower the work equipment completely to ground with back of bucket facing down.



- ② Remove nut(1), bolt(2) and draw out the pin(4).



- ③ Remove nut(1), bolt(2) and draw out the pin(3) then remove the bucket assembly.  
· Weight : 170kg(370lb)

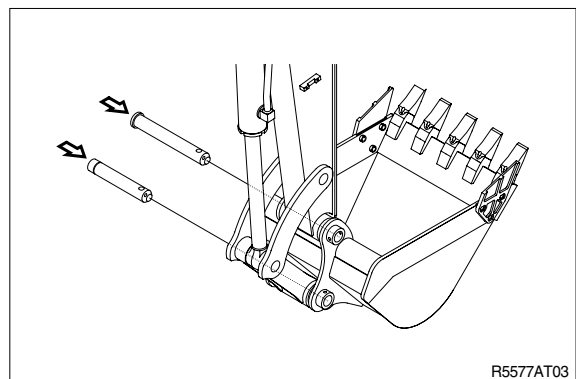


#### (2) Install

- ① Carry out installation in the reverse order to removal.

**▲** When aligning the mounting position of the pin, do not insert your fingers in the pin hole.

※ Adjust the bucket clearance.  
For detail, see **operation manual**.



## 2) ARM ASSEMBLY

### (1) Removal

- ※ Loosen the breather slowly to release the pressure inside the hydraulic tank.

**▲ Escaping fluid under pressure can penetrate the skin causing serious injury.**

- ① Remove bucket assembly.  
For details, see **removal of bucket assembly**.

- ② Disconnect bucket cylinder hose(4).

**▲ Fit blind plugs(5) in the piping at the chassis end securely to prevent oil from spurting out when the engine is started.**

- ③ Sling arm cylinder assembly, remove spring, pin stopper and pull out pin.  
※ Tie the rod with wire to prevent it from coming out.

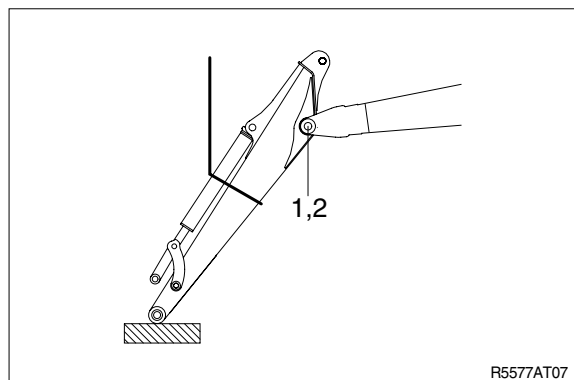
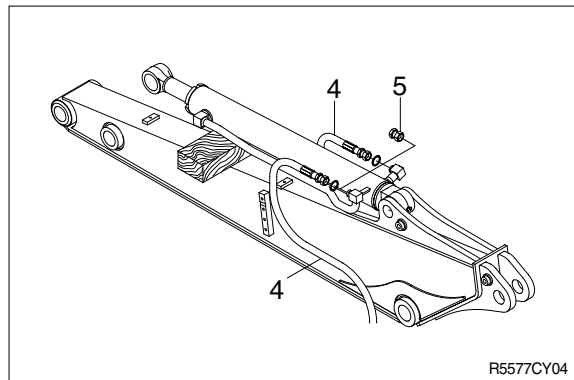
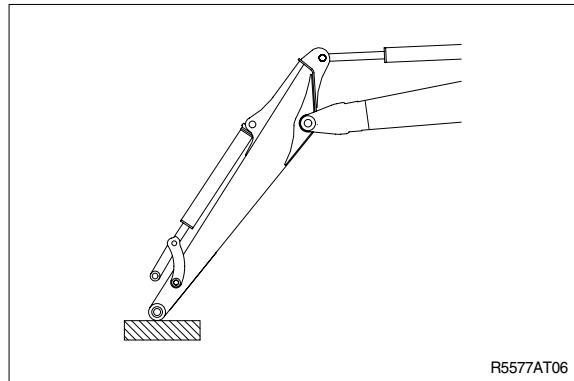
- ④ For details, see **removal of arm cylinder assembly**.

Place a wooden block under the cylinder and bring the cylinder down to it.

- ⑤ Remove bolt(1) and pull out the pin(2) then remove the arm assembly.

· Weight : 210kg(470lb)

- ※ When lifting the arm assembly, always lift the center of gravity.



### (2) Install

- ① Carry out installation in the reverse order to removal.

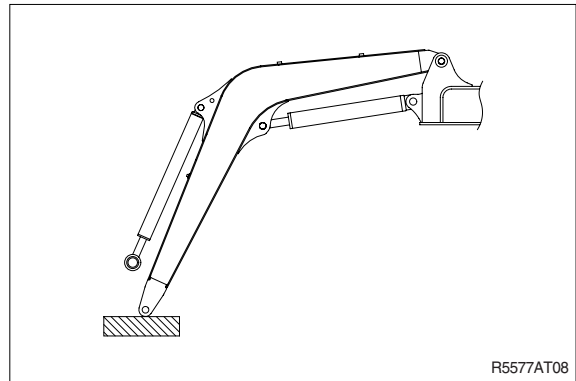
- ※ When lifting the arm assembly, always lift the center of gravity.

- ※ Bleed the air from the cylinder.

### 3) BOOM CYLINDER

#### (1) Removal

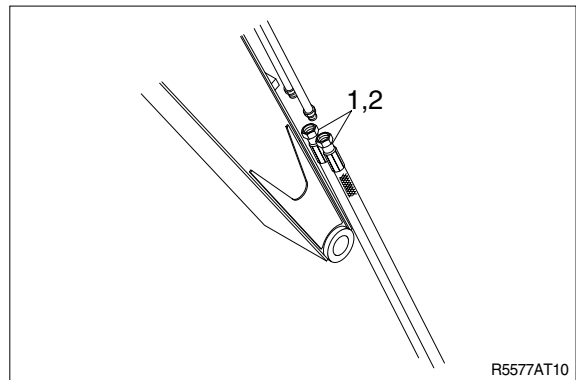
- ① Remove arm and bucket assembly.  
For details, see **removal of arm and bucket assembly**.
- ② Remove boom cylinder assembly from boom.  
For details, see **removal of arm cylinder assembly**.



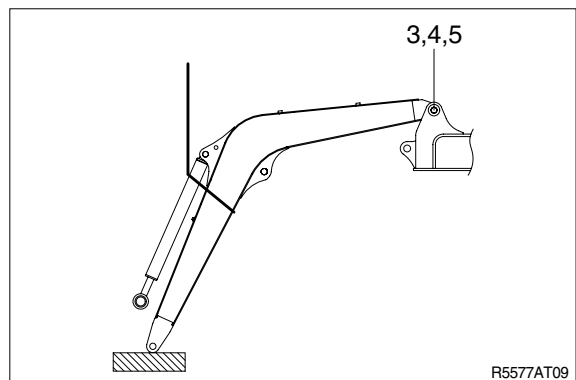
- ③ Disconnect head lamp wiring.
- ④ Disconnect bucket cylinder hose(2) and arm cylinder hose(1).

▲ **When the hose are disconnected, oil may spurt out.**

- ⑤ Sling boom assembly(3).



- ⑥ Remove bolt(3), nut(4) and pull out the pin(5) then remove boom assembly.  
· Weight : 310kg(680lb)  
※ When lifting the boom assembly always lift the center of gravity.



#### (2) Install

- ① Carry out installation in the reverse order to removal.  
※ When lifting the arm assembly, always lift the center of gravity.  
※ Bleed the air from the cylinder.

