

GROUP 12 TURNING JOINT

1. REMOVAL AND INSTALL

1) REMOVAL

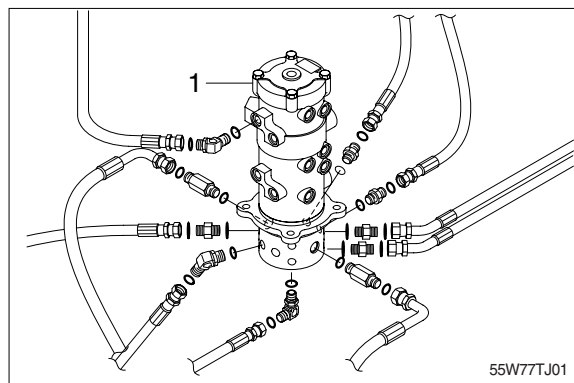
- (1) Lower the work equipment to the ground and stop the engine.
- (2) Operate the control levers and pedals several times to release the remaining pressure in the hydraulic piping.
- (3) Loosen the breather slowly to release the pressure inside the hydraulic tank.

▲ Escaping fluid under pressure can penetrate the skin causing serious injury.

※ When pipes and hoses are disconnected, the oil inside the piping will flow out, so catch it in oil pan.

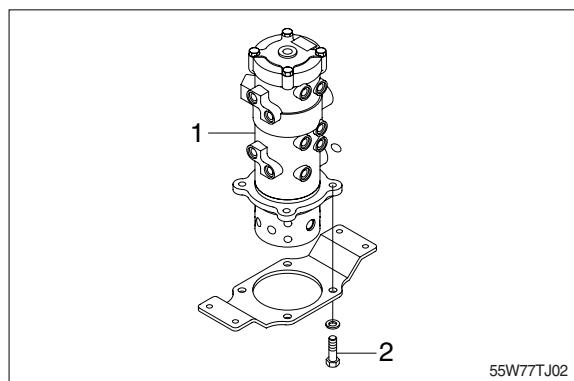
- (4) Disconnect all hoses.
- (5) Sling the turning joint assembly (1) and remove the mounting bolt(2).
 - Weight : 30kg(70lb)
 - Tightening torque : $14.7 \pm 2.2 \text{kgf} \cdot \text{m}$
($106 \pm 15.9 \text{lb} \cdot \text{ft}$)

- (6) Remove the turning joint assembly.
 - ※ When removing the turning joint, check that all the hoses have been disconnected.



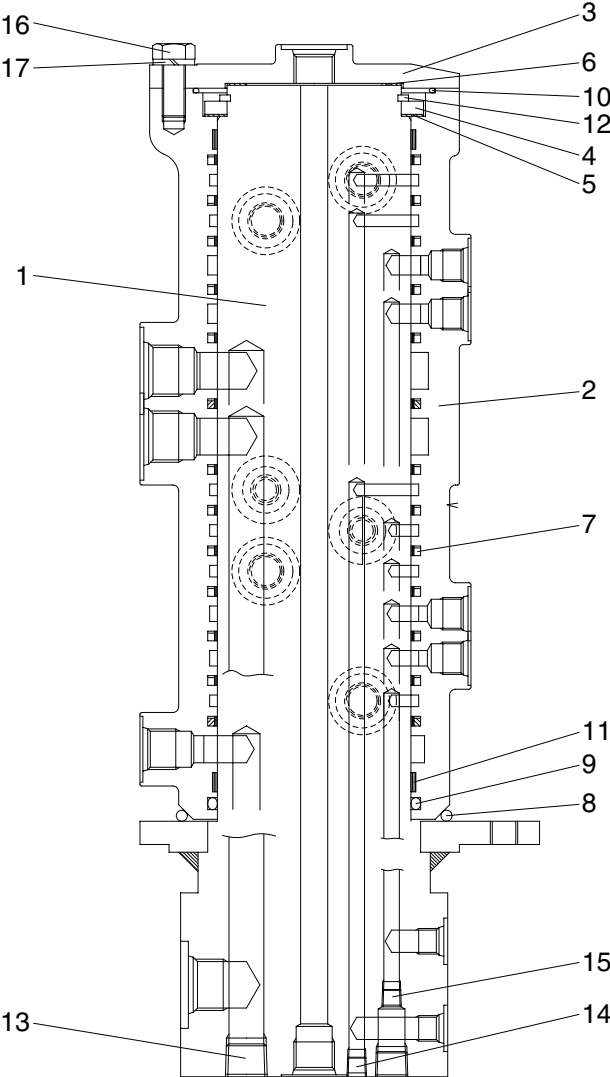
2) INSTALL

- (1) Carry out installation in the reverse order to removal.
 - ※ Take care of turning joint direction.
 - ※ Assemble hoses to their original positions.
 - ※ Confirm the hydraulic oil level and check the hydraulic oil leak or not.



2. DISASSEMBLY AND ASSEMBLY

1) STRUCTURE



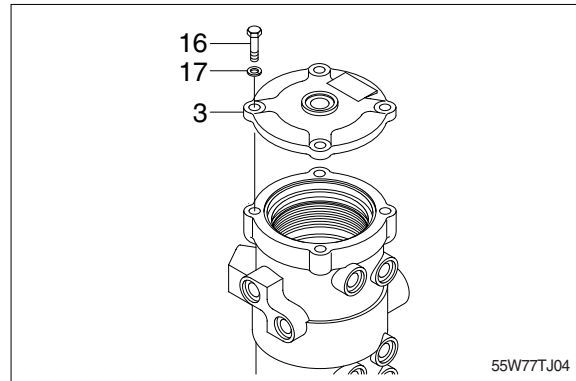
55W77TJ03

- | | | | | | |
|---|--------|----|---------------|----|---------------|
| 1 | Shaft | 7 | Slipper seal | 13 | Plug |
| 2 | Hub | 8 | O-ring | 14 | Plug |
| 3 | Cover | 9 | O-ring | 15 | Plug |
| 4 | Spacer | 10 | O-ring | 16 | Hexagon bolt |
| 5 | Shim | 11 | Wear ring | 17 | Spring washer |
| 6 | Shim | 12 | Retainer ring | | |

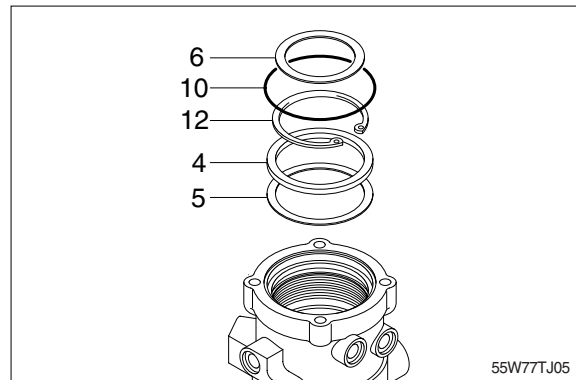
2) DISASSEMBLY

※ Before the disassembly, clean the turning joint.

- (1) Loosen the bolts(16), washer(17) and remove cover(3).

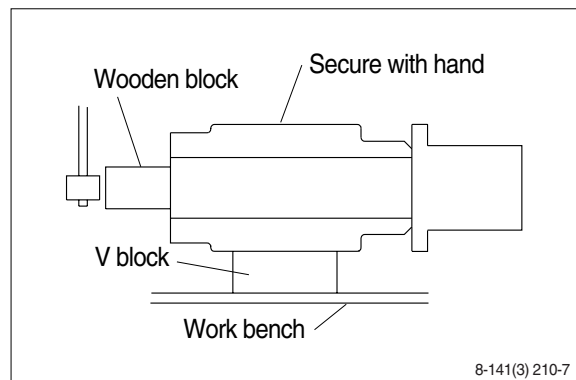


- (2) Remove shim(6) and O-ring(7).
- (3) Remove retainer ring(12), spacer(4) and shim(5).

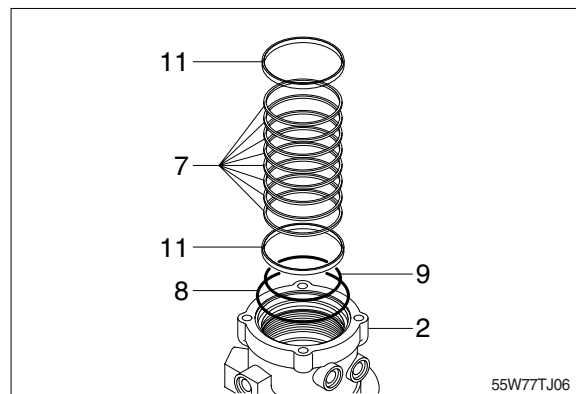


- (4) Place hub(2) on a V-block and by using a wood buffer at the shaft end, hit out shaft(1) to about 1/2 from the body with a hammer.

※ Take care not to damage the shaft(1) when remove hub(2) or rest it sideways.
※ Put a fitting mark on hub(2) and shaft(1).



- (5) Remove wear rings(11), thirteen slipper seals(7) and O-rings(8, 9) from hub(2).



(5) Install cover(3) to hub(2) and tighten bolts(16).

