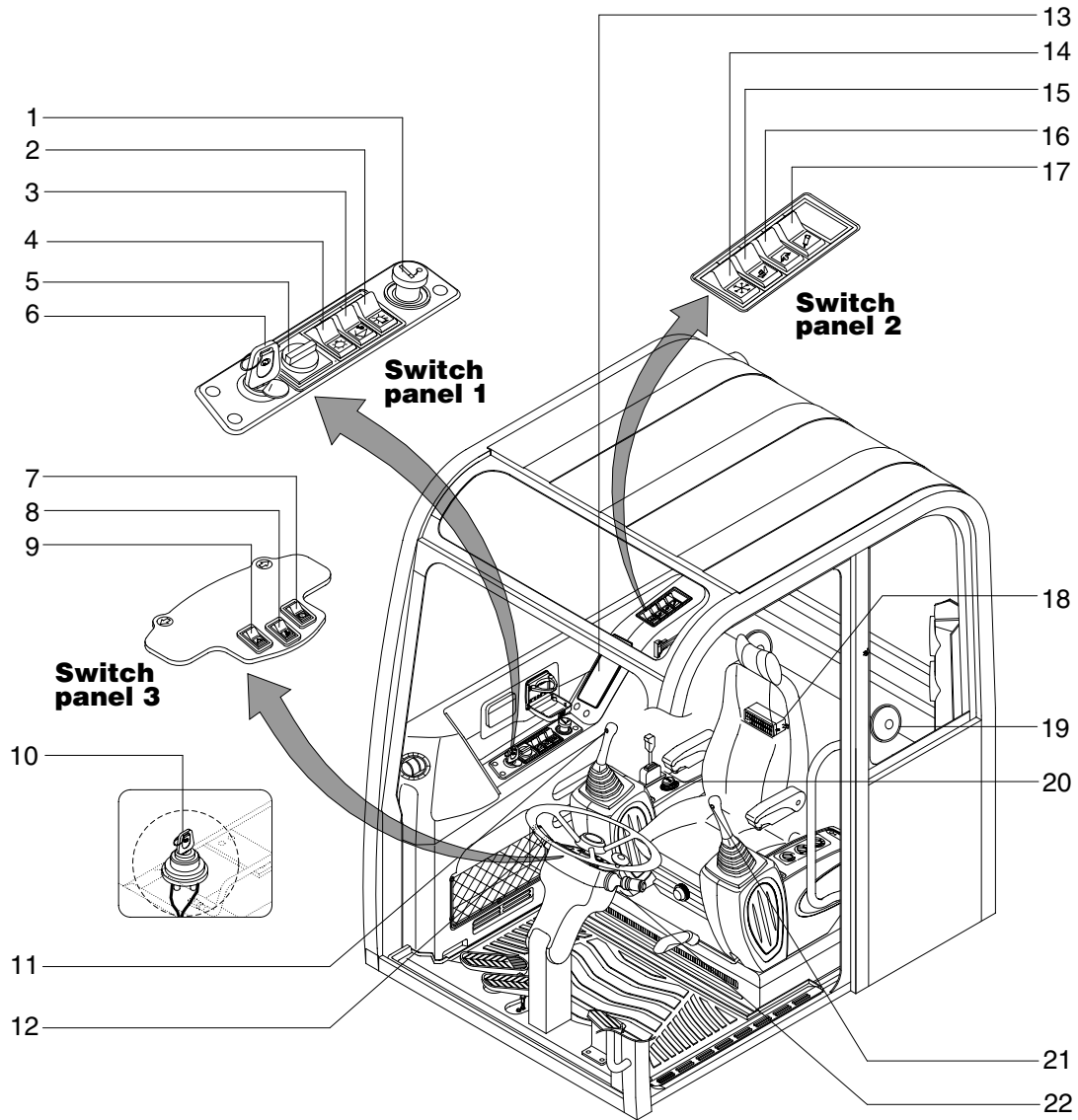


SECTION 4 ELECTRICAL SYSTEM

GROUP 1 COMPONENT LOCATION

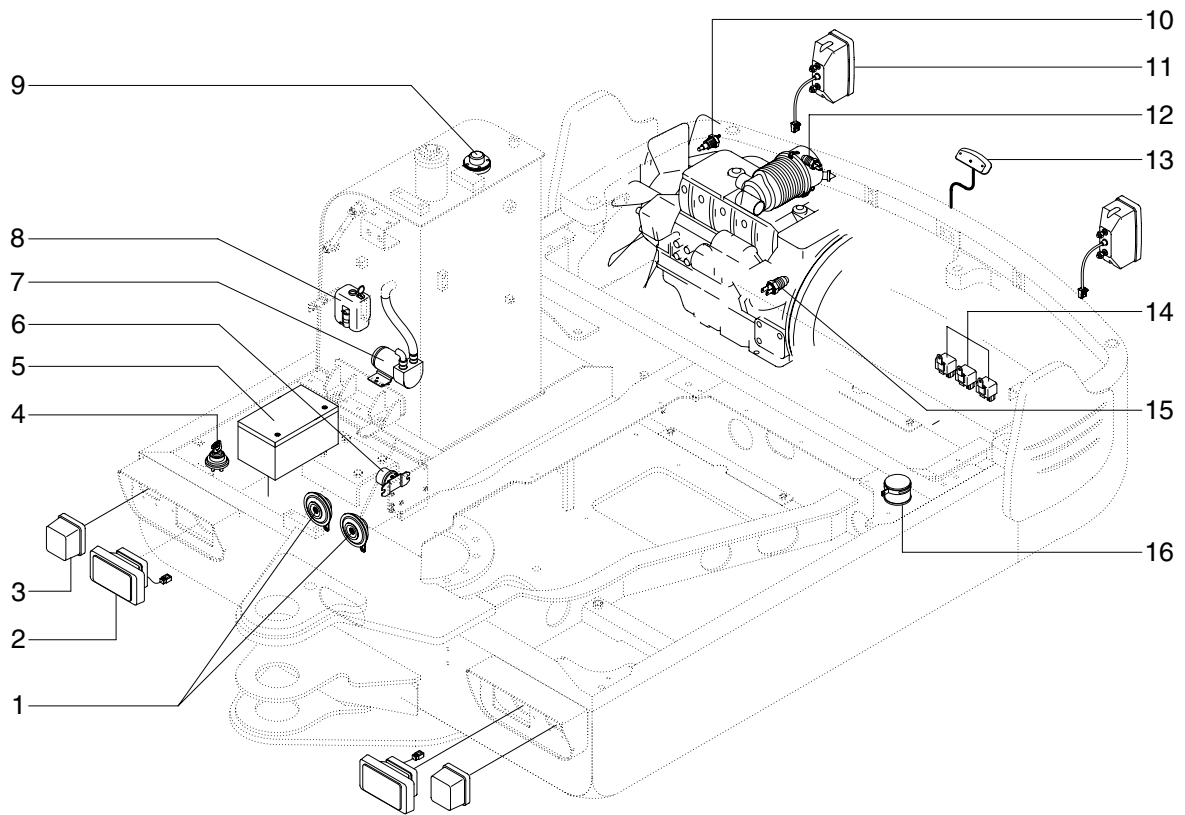
1. LOCATION 1



55W7A4EL02

- | | | |
|------------------------|-----------------------------|-----------------------------|
| 1 Cigar light | 9 Hazard switch | 17 Breaker selection switch |
| 2 Beacon switch | 10 Master switch | 18 Fuse box |
| 3 Quick clamp switch | 11 Breaker operation switch | 19 Speaker |
| 4 Main light switch | 12 Multifunction switch(RH) | 20 12V socket |
| 5 Accel dial switch | 13 Cassette & radio | 21 Horn switch |
| 6 Start switch | 14 Aircon switch | 22 Multifunction switch(LH) |
| 7 Parking brake switch | 15 Seat heat switch | |
| 8 Ram lock switch | 16 Boom swing switch | |

2. LOCATION 2



55W7A4EL03

- | | | | | | |
|---|-----------------------|----|-----------------------------|----|----------------------------|
| 1 | Horn | 7 | Fuel filler pump | 13 | Number plate lamp |
| 2 | Head lamp | 8 | Washer pump | 14 | Relays |
| 3 | Flasher position lamp | 9 | Fuel sender | 15 | Engine oil pressure switch |
| 4 | Master switch | 10 | Temperature sender | 16 | Travel alarm buzzer |
| 5 | Battery | 11 | Combination lamp | | |
| 6 | Battery relay | 12 | Air clearer pressure switch | | |