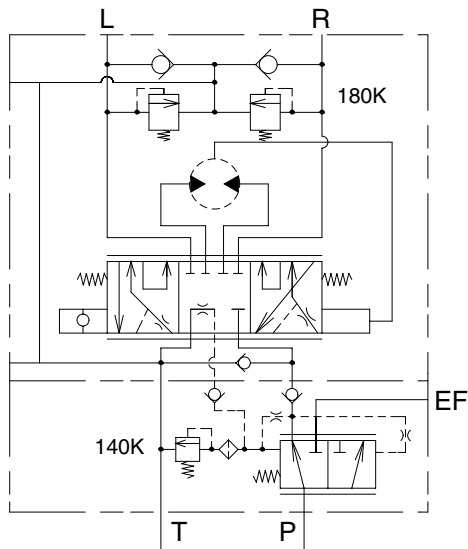
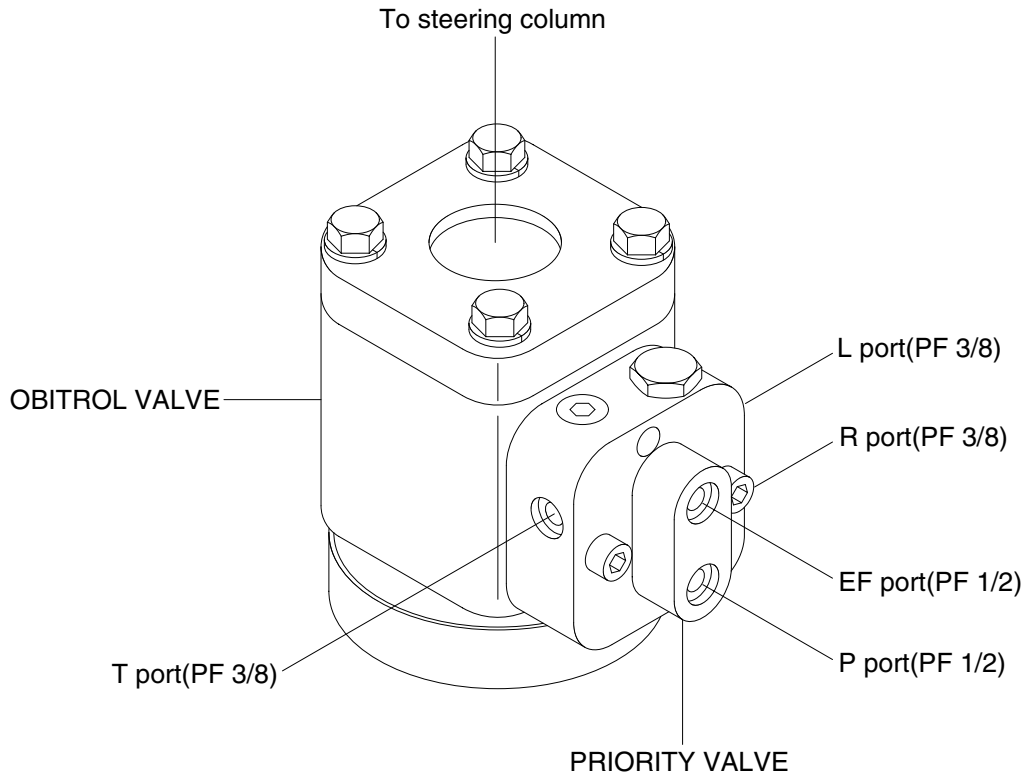


GROUP 9 STEERING VALVE

1. STRUCTURE

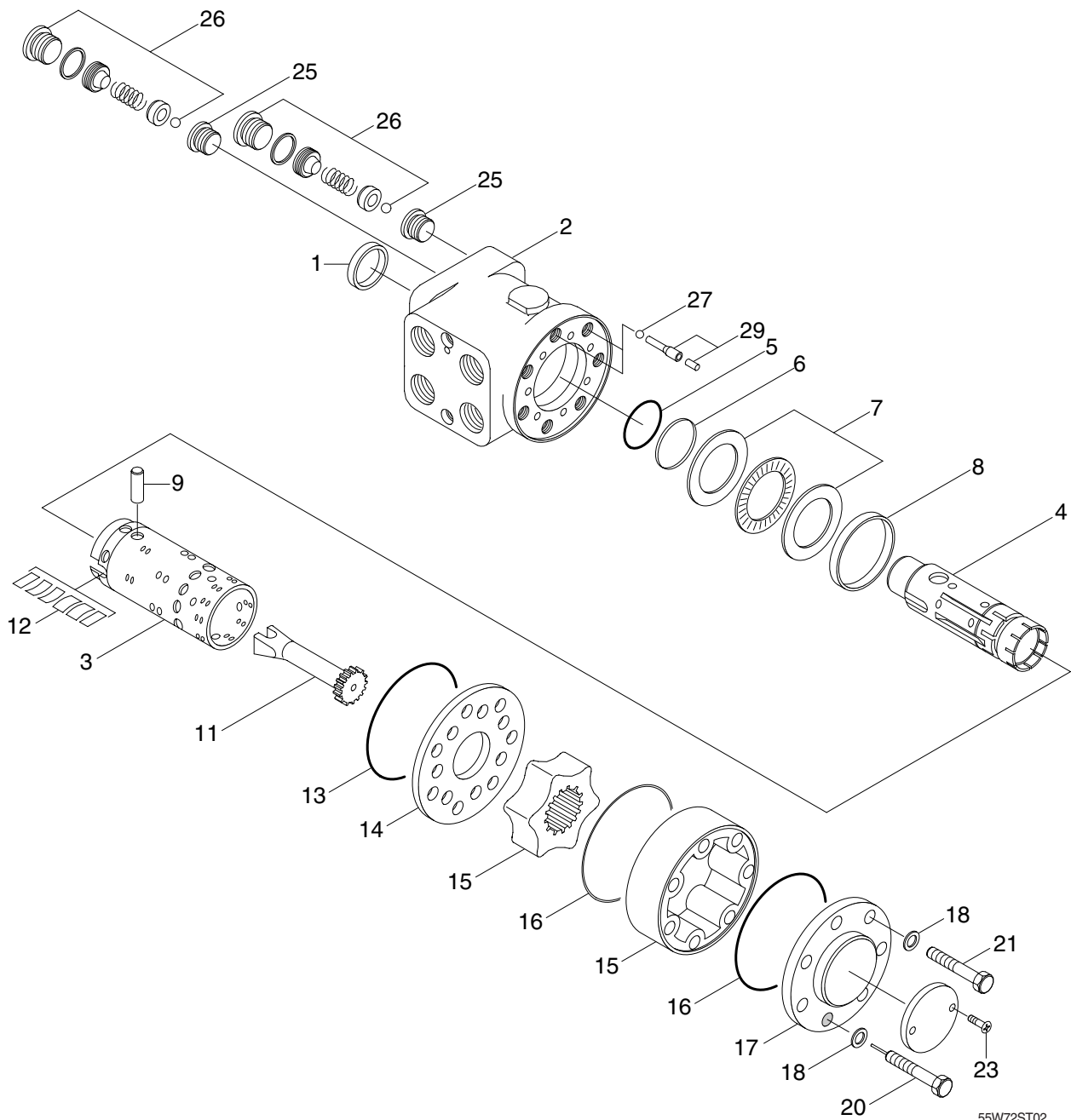


55W7A2ST01

Port	Port name	Port size
L	Left port	PF 3/8
R	Right port	PF 3/8
P	Pump port	PF 1/2
T	Tank port	PF 3/8
EF	Auxiliary port	PF 1/2

Hydraulic circuit

2. COMPONENTS



55W72ST02

- | | | | | | |
|---|----------------|----|-------------------|----|-------------------|
| 1 | Dust seal ring | 11 | Shaft | 21 | Screw |
| 2 | Housing | 12 | Spring set | 22 | Name plate |
| 3 | Sleeve | 13 | O-ring | 23 | Drive screw |
| 4 | Spool | 14 | Distributor plate | 25 | Plug |
| 5 | O-ring | 15 | Gear wheel set | 26 | Shock valve |
| 6 | Kin-ring | 16 | O-ring | 27 | Ball |
| 7 | Bearing assy | 17 | End cover | 29 | Suction valve pin |
| 8 | Ring | 18 | Washer | | |
| 9 | Cross pin | 20 | Pin screw | | |