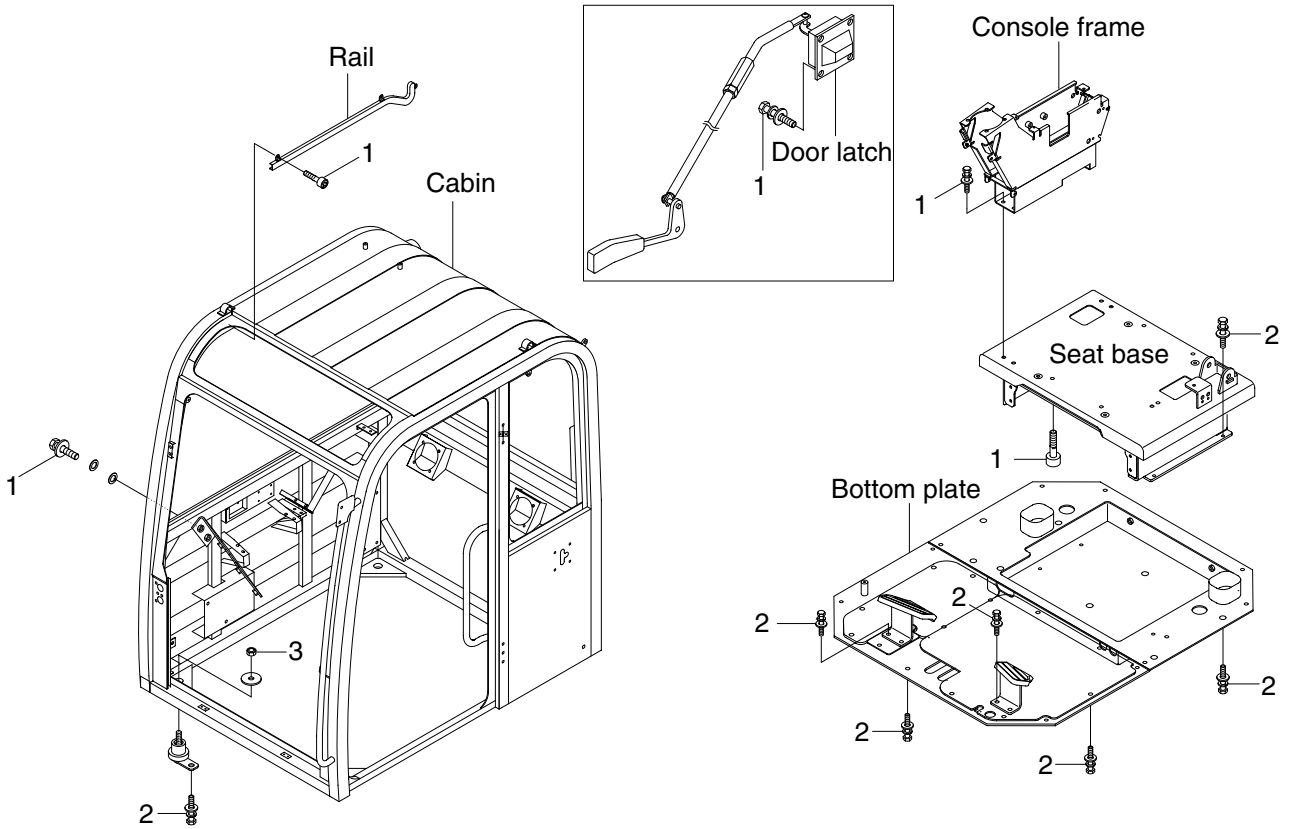


GROUP 6 STRUCTURE

1. CAB AND ACCESSORIES MOUNTING



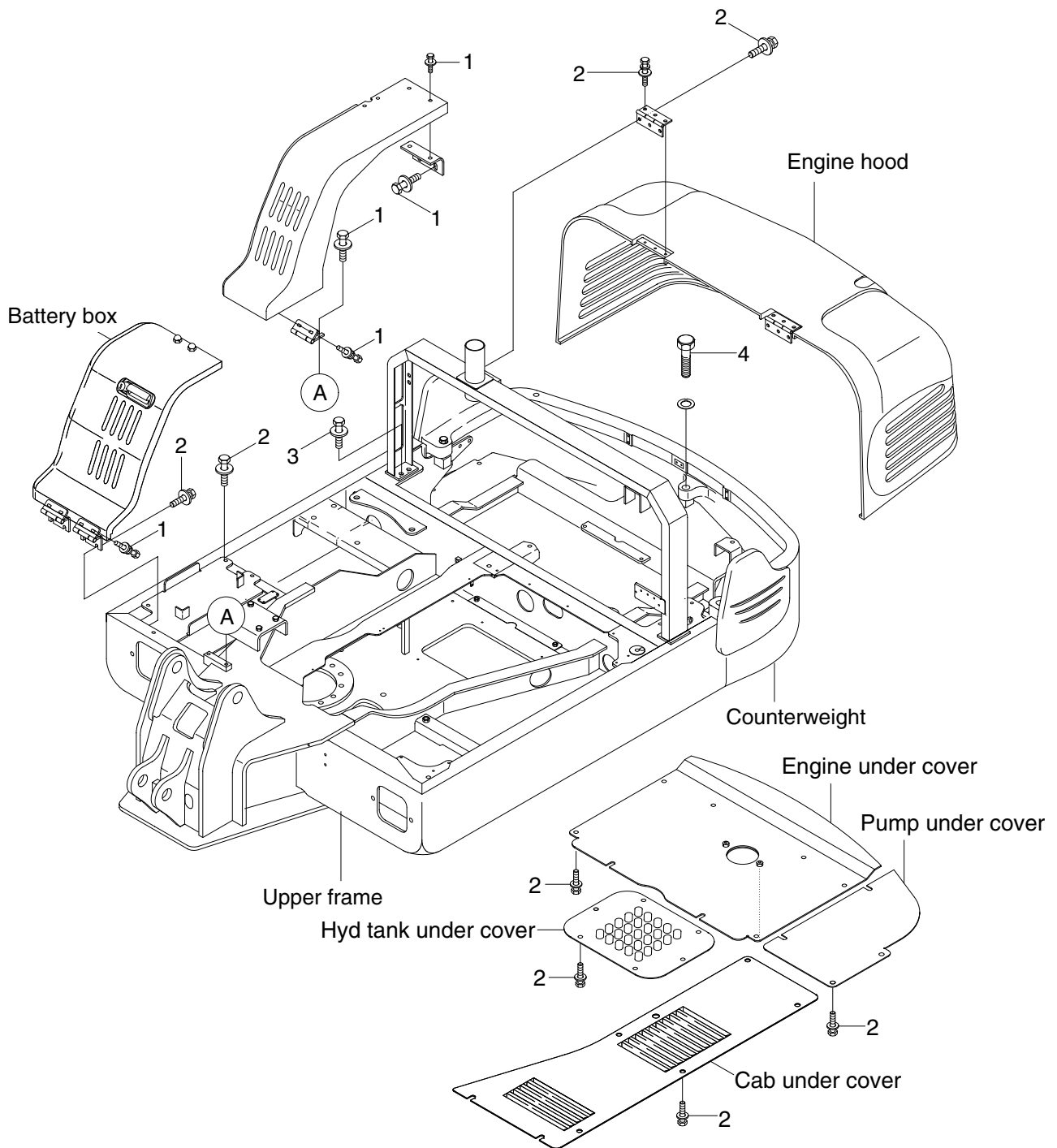
R5578CM09

· Tightening torque

Item	Size	kgf · m	lbf · ft
1	M 8×1.25	2.5±0.5	18.1±3.6
2	M10×1.5	4.7±0.9	34.0±6.5

Item	Size	kgf · m	lbf · ft
3	M12×1.75	12.8±3.0	92.6±21.7

2. COWLING MOUNTING



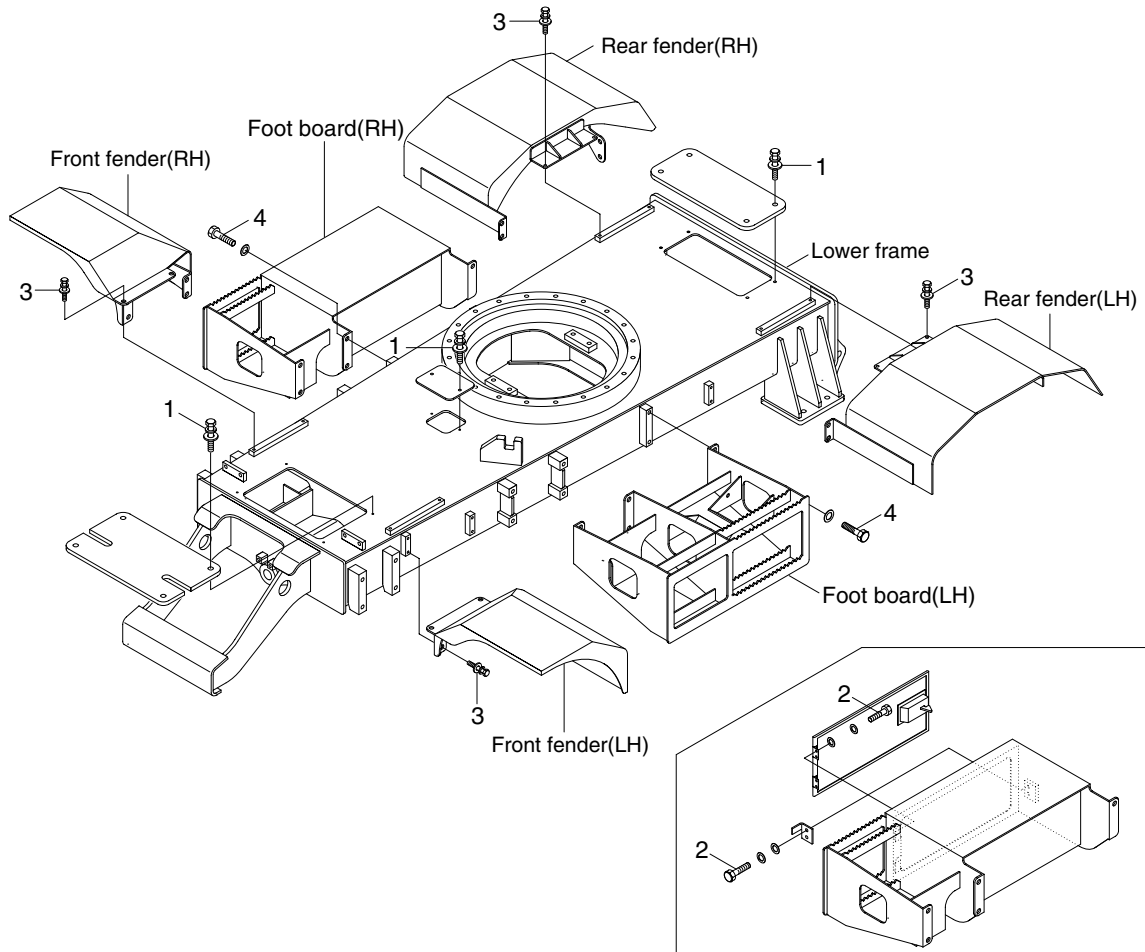
R55W78CM10

· Tightening torque

Item	Size	kgf · m	lbf · ft
1	M 8×1.25	2.5±0.5	18.1±3.6
2	M10×1.5	6.9±1.4	49.9±10.1

Item	Size	kgf · m	lbf · ft
3	M12×1.75	12.8±3.0	92.6±21.7
4	M20×2.5	57.8±6.4	418±46.3

3. COVER AND FOOT BOARD



R55W78CM06

· Tightening torque

Item	Size	kgf · m	lbf · ft
1	M 6×1.0	0.92±0.2	6.7±1.4
2	M 8×1.25	2.5±0.5	18.1±3.6

Item	Size	kgf · m	lbf · ft
3	M12×1.75	12.8±3.0	92.6±21.7
4	M16×2.0	29.6±3.2	214±23.1