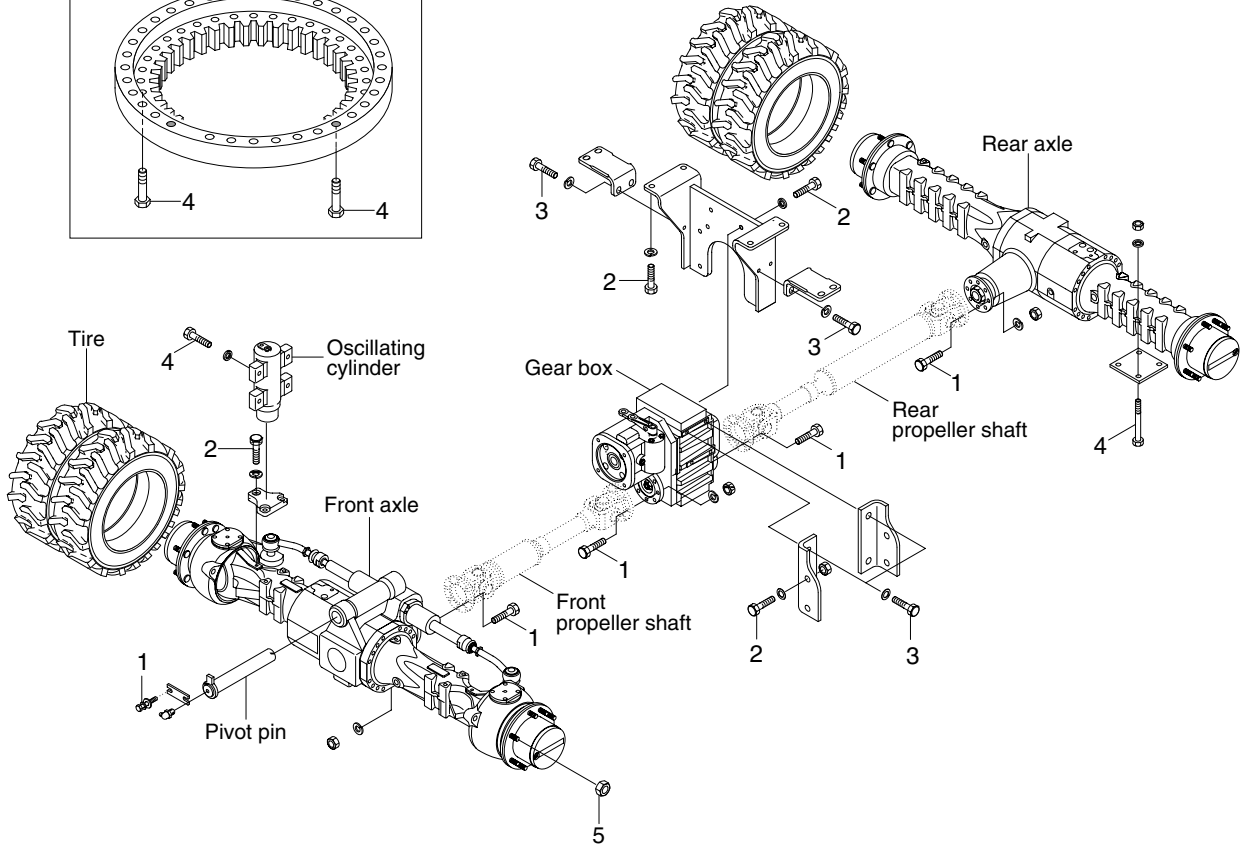
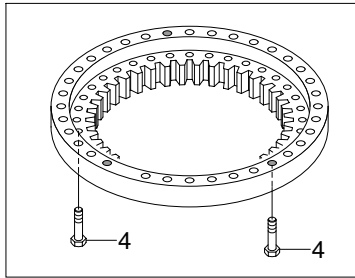


GROUP 5 UNDERCARRIAGE

Swing bearing



R55W78CM08

· Tightening torque

Item	Size	kgf · m	lbf · ft
1	M10×1.5	6.9±1.4	49.9±10.1
2	M12×1.75	12.8±3.0	92.6±21.7
3	M14×2.0	20.0±2.0	145±14.0
4	M16×2.0	29.7±4.5	215±32.5

Item	Size	kgf · m	lbf · ft
5	M18×2.0	41.0±5.0	297±36.0