

## GROUP 5 CONNECTORS

### 1. CONNECTOR DESTINATION

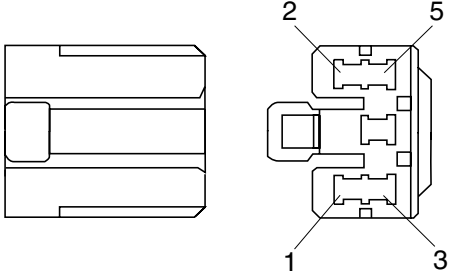
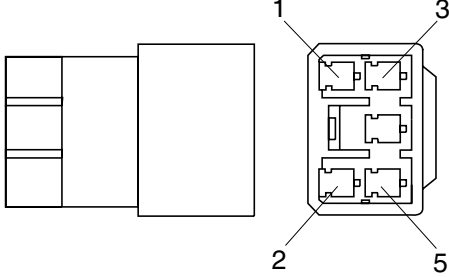
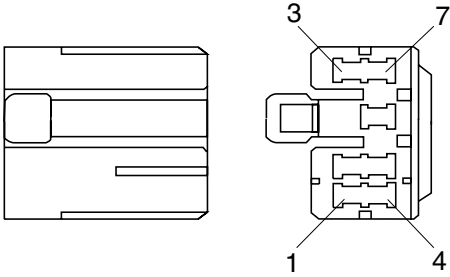
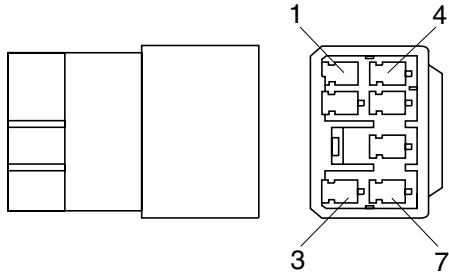
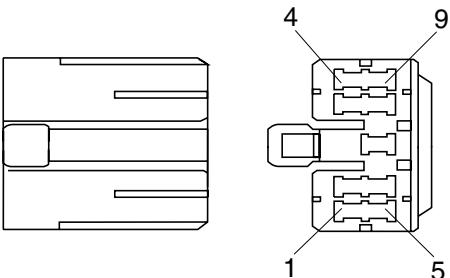
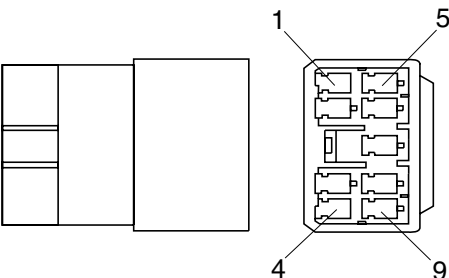
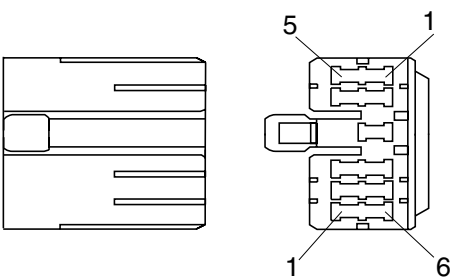
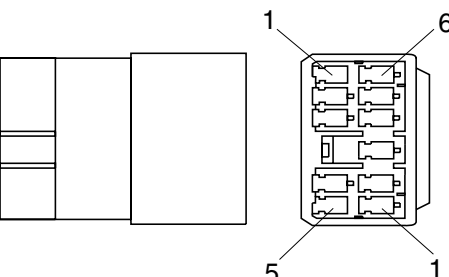
Connector number	Type	No. of pin	Destination	Connector part No.	
				Female	Male
CN-1	AMP	12	Cabin room harness	S816-012002	S816-112002
CN-2	-	15	l/conn(Cabin room harness-Frame harness)	2-85262-1	368301-1
CN-3	-	2	-	S813-030201	S831-130201
CN-4	AMP	10	l/conn(Cabin room harness-Frame harness)	S816-010002	S816-110002
CN-5	AMP	15	Cabin room harness	S816-015002	S816-115002
CN-6	AMP	3	l/conn(Cabin harness-Cabin room harness)	S816-003002	S816-103002
CN-7	AMP	6	l/conn(Console harness-Frame harness)	7123-6423-30	S816-106002
CN-8	AMP	15	Cabin room harness	2-85262-1	368301-1
CN-12	AMP	2	l/conn(Boom harness-Main harness)	S816-002002	S816-102002
CN-20	-	2	Horn	35825-0211	-
CN-21	AMP	4	Wiper motor	180900-0	-
CN-22	KET	2	Washer tank	MG640605	-
CN-23	KET	2	Speaker LH	MG610070	-
CN-24	KET	2	Speaker RH	MG610070	-
CN-25	-	2	Horn	35825-0211	-
CN-27	-	14	Cassette radio	173852-1	-
CN-28	-	1	Air-con comp	NMWP01F-B	-
CN-29	KET	2	Receiver dryer	S814-001001	-
CN-31	-	2	l/conn(Air-con harness-Cabin room harness)	176146-2	-
CN-32	AMP	6	Air-con harness	-	S816-106002
CN-36	-	-	Fuse box	21L7-00250	-
CN-45	TERM	1	Starter	S820-305002	-
	TERM	1		S820-310002	-
CN-55	AMP	2	Travel alarm PS	S816-002002	S816-102002
CN-56	AMP	12	Cluster	174045-2	-
CN-57	AMP	16	Cluster	174046-2	-
CN-60	YAZAKI	2	Fusible link	-	7122-4125-50
CN-61	TERM	1	Fuel filler pump	S822-014000	-
	TERM	1		-	S822-114000
CN-66	DEUTSCH	2	Breaker solenoid	DT06-2S-P012	-
CN-68	DEUTSCH	2	Safety solenoid	DT06-2S-P012	-
CN-69	DEUTSCH	2	Ramlock solenoid	DT06-2S-P012	-
CN-70	DEUTSCH	2	Travel solenoid	DT06-2S-P012	-
CN-71	DEUTSCH	2	Parking solenoid	DT06-2S-P012	-
CN-74	SUMITOMO	3	Alternator	6189-0443	-
CN-79	SWP	3	Fuel cut-off solenoid	S813-060300	-
CN-80	RING-TERM	1	Pre heater	S820-306002	-
CN-81	SWP	2	Travel buzzer	S822-014000	-

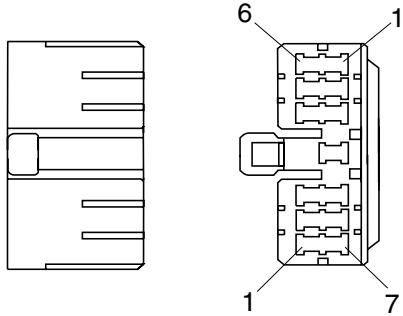
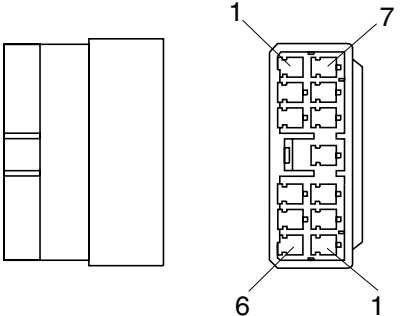
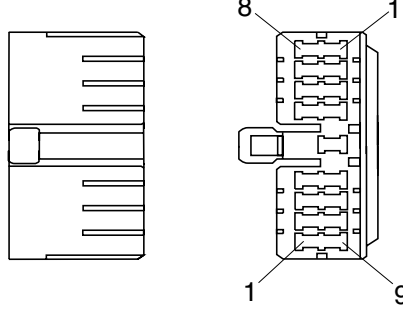
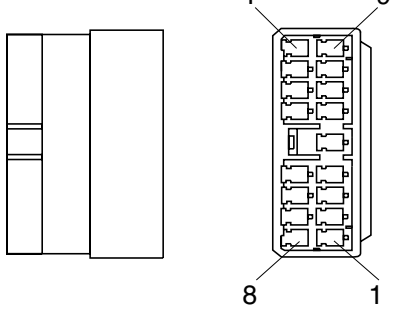
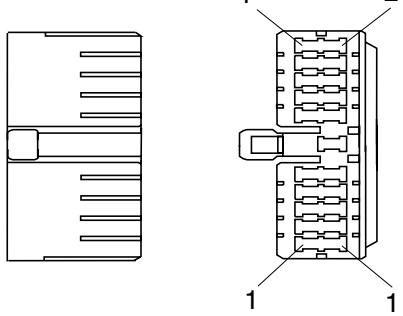
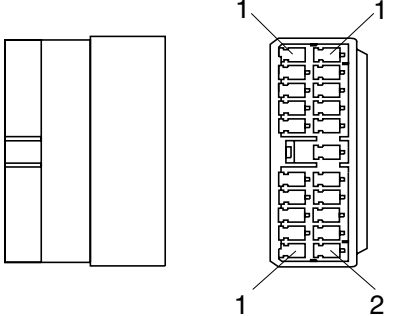
Connector number	Type	No. of pin	Destination	Connector part No.	
				Female	Male
CN-83	-	2	Air-con fan	176146-2	-
CN-95	-	2	Fusible link	-	S813-130200
CN-97	AMP	12	Multifunction switch	S816-012002	S816-112002
CN-98	AMP	10	Multifunction switch	S816-010002	S816-110002
CN-99	AMP	8	Multifunction switch	S816-008002	S816-108002
CN-121	-	2	Boom swing solenoid	DT06-2S-P012	-
CN-122	-	2	Forward solenoid	DT06-2S-P012	-
CN-123	-	2	Reverse solenoid	DT06-2S-P012	-
CN-125	DEUTSCH	2	Boom cut-off solenoid	DT06-2S-P012	-
CN-132	AMP	6	Controller shift	S810-006002	-
CN-139	AMP	2	12V socket	S810-002202	-
CN-140	DEUTSCH	2	Quick clamp solenoid	DT06-2S-P012	DT04-2P-E004
CN-145	-	2	Fuel feed pump	7123-6423-30	-
LAMP					
CL-1	KET	2	Room lamp	MG610392	-
CL-2	AMP	3	Cigar lighter	S810-003002	-
CL-3	DEUTSCH	3	Head lamp	S810-003702	-
CL-4	DEUTSCH	3	Head lamp	S810-003702	-
CL-5	DEUTSCH	2	Work lamp	-	DT04-2P-E004
CL-7	-	1	Beacon lamp	-	S822-114000
	-	1		S822-014000	-
CL-15	-	6	Rear combination lamp-LH	-	S816-106002
CL-16	-	6	Rear combination lamp-RH	-	S816-106002
CL-21	-	2	Number plate lamp	S814-002001	-
CL-24	-	3	Front combination lamp-LH	S814-003001	-
CL-25	-	3	Front combination lamp-RH	S814-003001	-
RELAY					
CR-1	AMP	2	Battery relay	-	S816-102002
CR-2	AMP	4	Horn relay	S810-004002	-
CR-4	AMP	5	Wiper relay	S810-005203	-
CR-5	AMP	4	Anti-restart relay	S810-004002	-
CR-6	AMP	6	Int wiper relay	S810-006002	-
CR-11	AMP	3	Flasher unit relay	S810-003702	-
CR-13	AMP	4	Head lamp low relay	S810-004002	-
CR-14	AMP	4	Head lamp high relay	S810-004002	-
CR-23	-	2	Start relay	S814-002001	-
CR-24	-	2	Air heater relay	S814-002001	-
CR-29	AMP	4	Forward relay	S810-004002	-
CR-30	AMP	4	Reverse relay	S810-004002	-
CR-33	AMP	4	Air-con fan relay	S810-004002	-
CR-36	AMP	4	Pre-heater relay	S810-004002	-

Connector number	Type	No. of pin	Destination	Connector part No.	
				Female	Male
CR-47	-	2	Fuel cut-off relay	S814-002001	-
CR-50	AMP	4	Timer relay	S810-004002	-
CR-53	KET	4	Relay timer	MG610047-5	-
SENDER					
CD-1	-	2	Hydraulic temp sender	85202-1	-
CD-2	AMP	2	Fuel sender	-	S816-102002
CD-3	-	2	Brake oil pressure switch	21EA-00310	-
CD-4	AMP	2	Stop lamp pressure switch	21EA-00310	-
CD-8	-	1	Water temp sender	85202-1	-
CD-10	-	2	Air cleaner switch	GP890469	-
CD-18	-	1	Engine oil pressure switch	S814-001001	-
CD-26	-	2	Parking pressure switch	21EA-00310	-
CD-30	-	2	Working brake pressure switch	21EA-00310	-
CD-38	-	2	Travel pressure switch	21EA-00310	-
SWITCH					
CS-2	-	6	Start key switch	S814-006000	-
CS-4	AMP	3	Safety switch	S816-003002	-
CS-5	-	1	Horn-LH switch	S822-014000	-
	-	1		-	S822-114000
CS-21	SWF	10	Light switch	593757	-
CS-23	SWF	10	Beacon lamp switch	593757	-
CS-26	-	1	Breaker switch	S822-014000	-
	-	1		-	S822-114000
CS-27	SWF	10	Breaker switch	593757	-
CS-36	SWF	10	Work lamp switch	593757	-
CS-47	SWF	10	Boom swing switch	593757	-
CS-54	SWF	10	Air-con switch	593757	-
CS-67	SWF	10	Quick clamp switch	593757	-
DIODE					
DO-3	-	2	Diode(Fuel cut off)	21EA-50570	-
DO-4	-	2	Diode(Alternator)	21EA-50570	-
DO-5	-	2	Diode(Washer pump)	21EA-50550	-
DO-6	-	2	Diode(Cluster)	21EA-50550	-

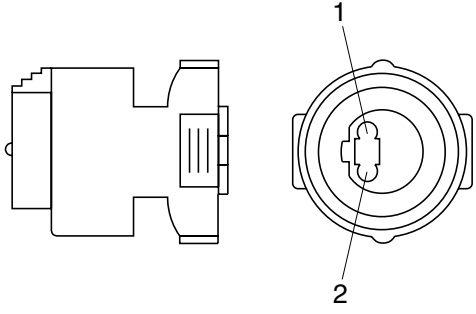
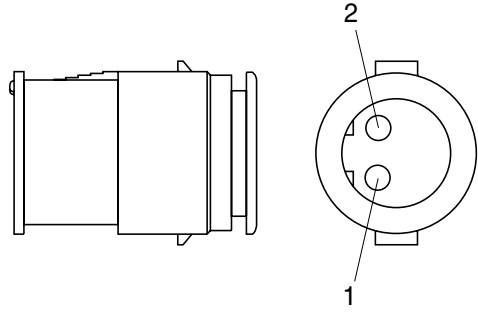
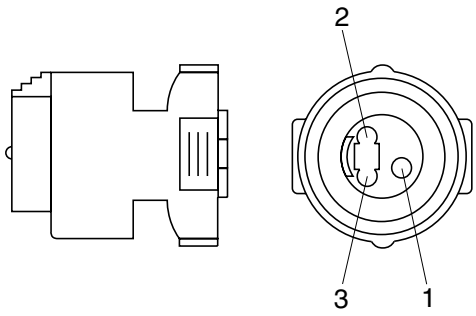
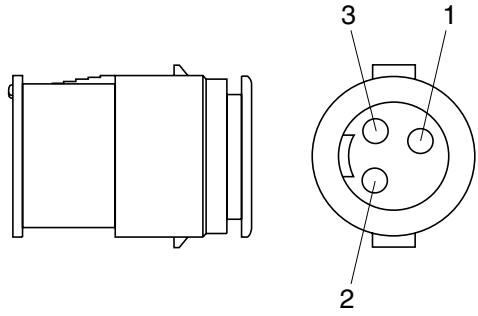
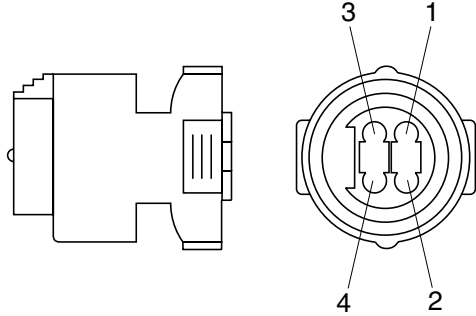
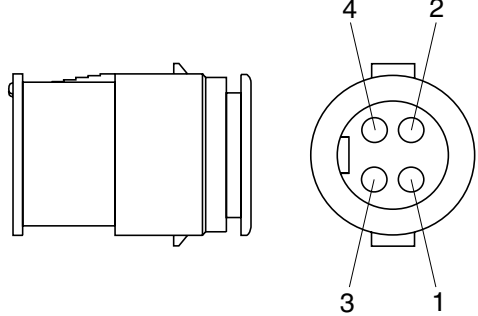
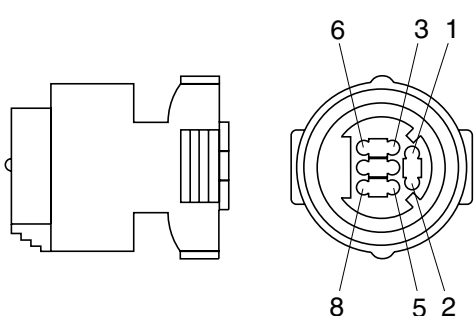
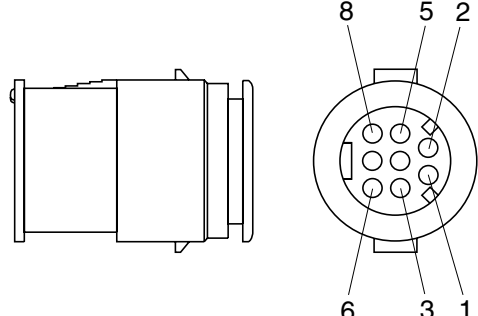
## 2. CONNECTION TABLE FOR CONNECTORS

### 1) PA TYPE CONNECTOR

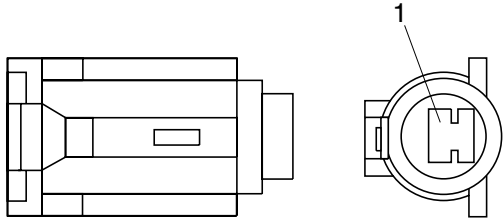
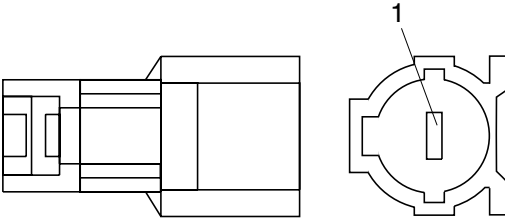
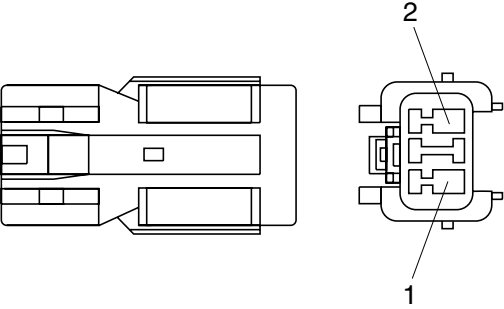
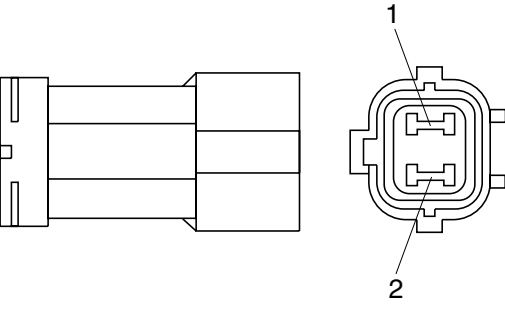
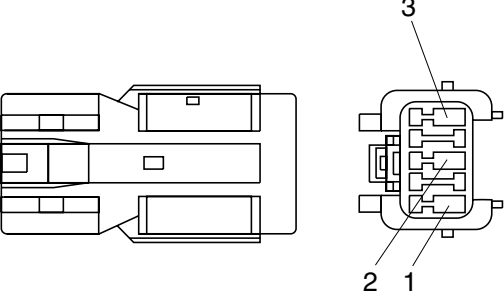
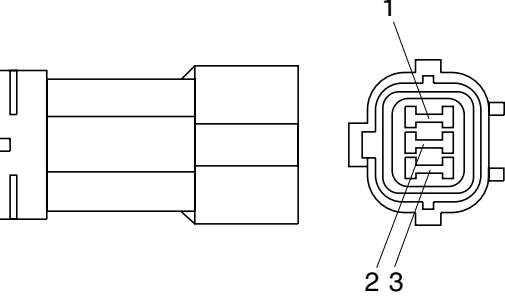
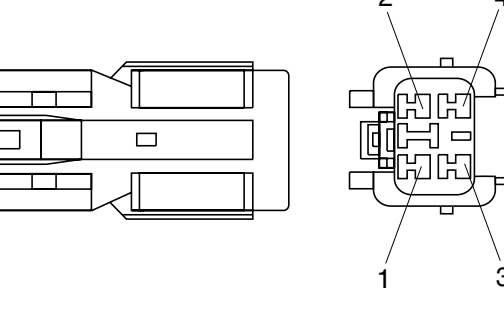
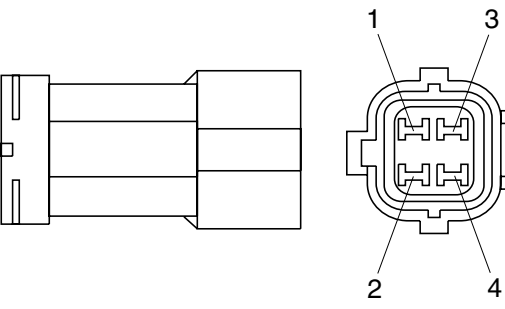
No. of pin	Receptacle connector(Female)	Plug connector(Male)
5	 <p style="text-align: center;">S811-005002</p>	 <p style="text-align: center;">S811-105002</p>
7	 <p style="text-align: center;">S811-007002</p>	 <p style="text-align: center;">S811-107002</p>
9	 <p style="text-align: center;">S811-009002</p>	 <p style="text-align: center;">3S811-109002</p>
11	 <p style="text-align: center;">S811-011002</p>	 <p style="text-align: center;">S811-111002</p>

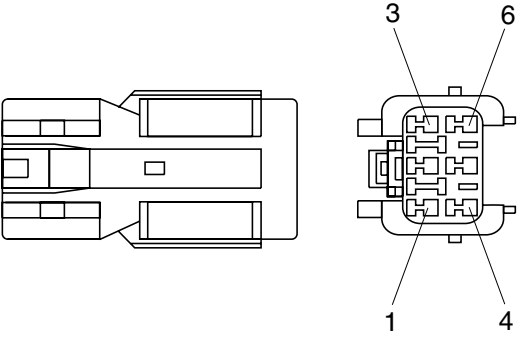
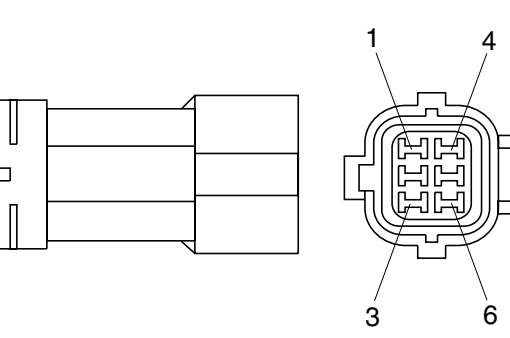
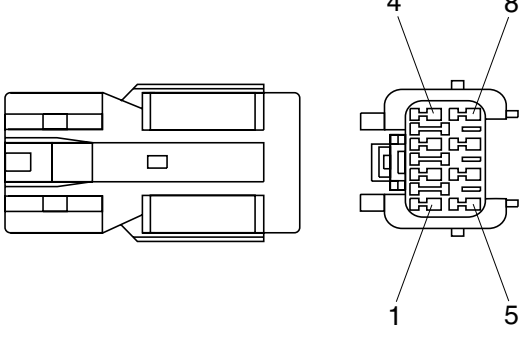
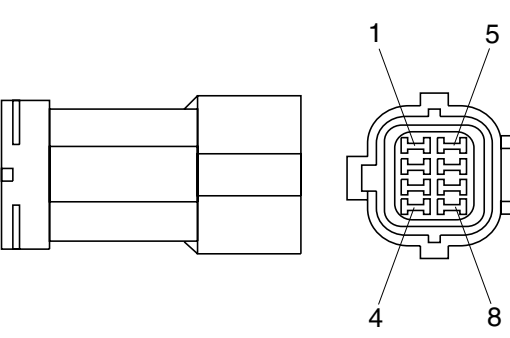
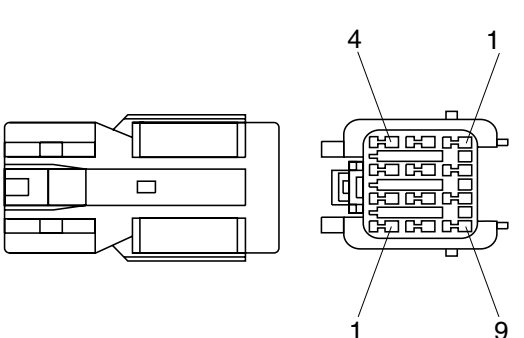
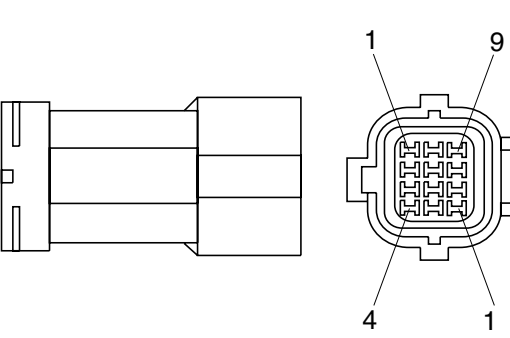
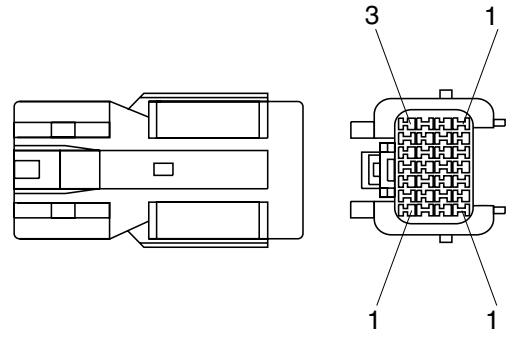
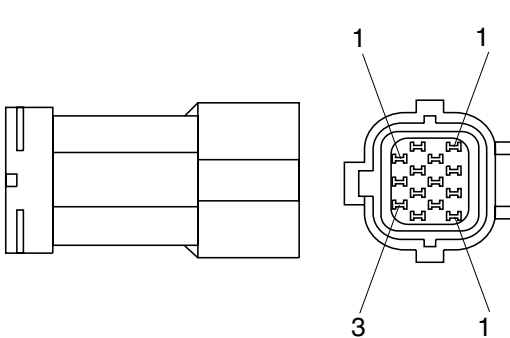
No. of pin	Receptacle connector(Female)	Plug connector(Male)
13	 <p data-bbox="691 629 839 658">S811-013002</p>	 <p data-bbox="1246 629 1394 658">S811-113002</p>
17	 <p data-bbox="691 1041 839 1070">S811-017002</p>	 <p data-bbox="1246 1041 1394 1070">S811-117002</p>
21	 <p data-bbox="691 1447 839 1476">S811-021002</p>	 <p data-bbox="1246 1447 1394 1476">S811-121002</p>

## 2) J TYPE CONNECTOR

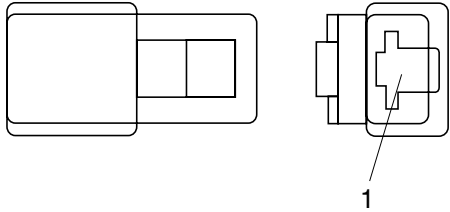
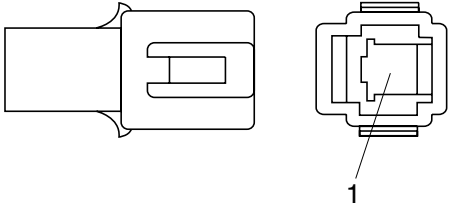
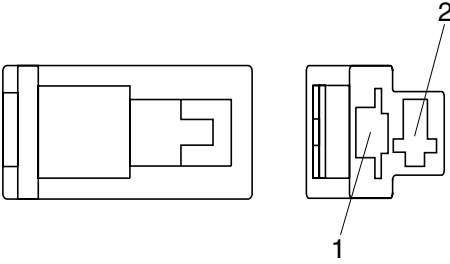
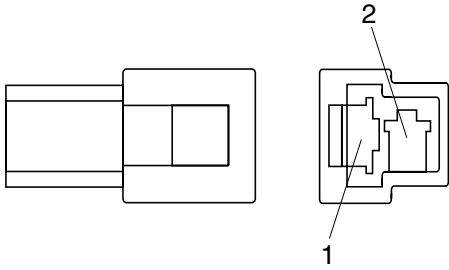
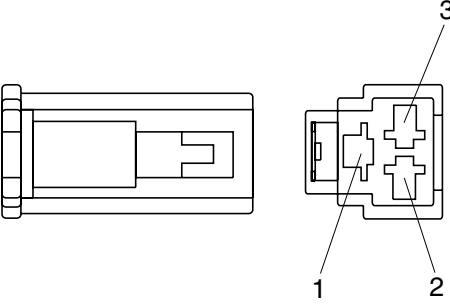
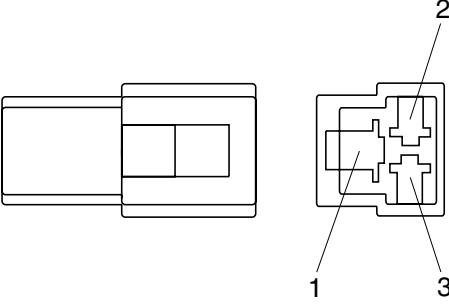
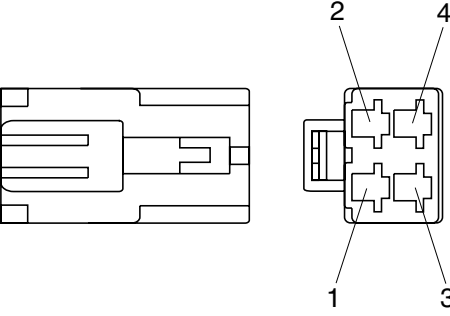
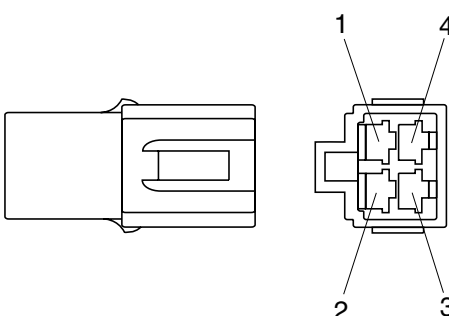
No. of pin	Receptacle connector(Female)	Plug connector(Male)
2	 <p style="text-align: center;">S816-002001</p>	 <p style="text-align: center;">S816-102001</p>
3	 <p style="text-align: center;">S816-003001</p>	 <p style="text-align: center;">S816-103001</p>
4	 <p style="text-align: center;">S816-004001</p>	 <p style="text-align: center;">S816-104001</p>
8	 <p style="text-align: center;">S816-008001</p>	 <p style="text-align: center;">S816-108001</p>

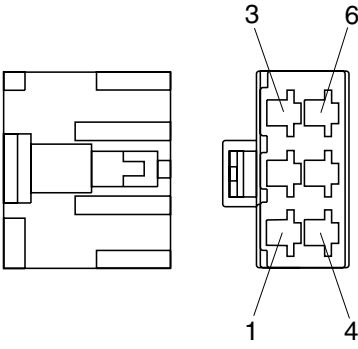
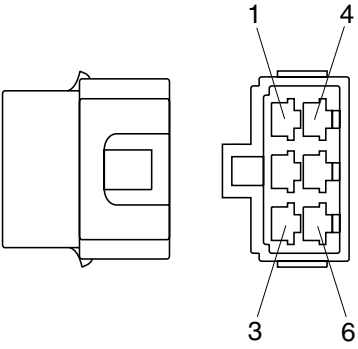
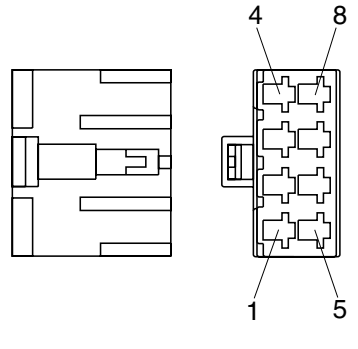
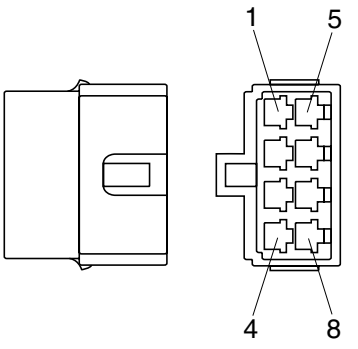
### 3) SWP TYPE CONNECTOR

No. of pin	Receptacle connector(Female)	Plug connector(Male)
1	 <p data-bbox="689 674 837 703">S814-001000</p>	 <p data-bbox="1246 674 1394 703">S814-101000</p>
2	 <p data-bbox="689 1081 837 1111">S814-002000</p>	 <p data-bbox="1246 1081 1394 1111">S814-102000</p>
3	 <p data-bbox="689 1491 837 1520">S814-003000</p>	 <p data-bbox="1246 1491 1394 1520">S814-103000</p>
4	 <p data-bbox="689 1901 837 1930">S814-004000</p>	 <p data-bbox="1246 1901 1394 1930">S814-104000</p>

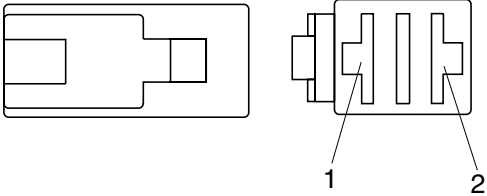
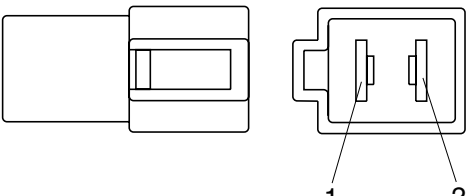
No. of pin	Receptacle connector(Female)	Plug connector(Male)
6	 <p data-bbox="686 627 837 660">S814-006000</p>	 <p data-bbox="1244 627 1396 660">S814-106000</p>
8	 <p data-bbox="686 1041 837 1075">S814-008000</p>	 <p data-bbox="1244 1041 1396 1075">S814-108000</p>
12	 <p data-bbox="686 1444 837 1478">S814-012000</p>	 <p data-bbox="1244 1444 1396 1478">S814-112000</p>
14	 <p data-bbox="686 1848 837 1881">S814-014000</p>	 <p data-bbox="1244 1848 1396 1881">S814-114000</p>

#### 4) CN TYPE CONNECTOR

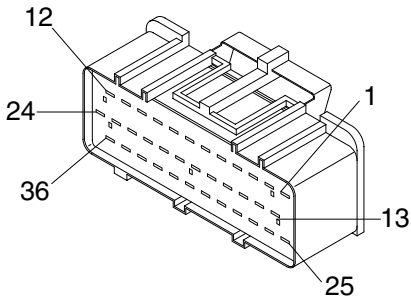
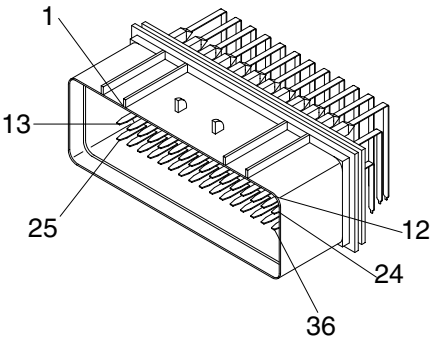
No. of pin	Receptacle connector(Female)	Plug connector(Male)
1	 <p style="text-align: center;">S810-001202</p>	 <p style="text-align: center;">S810-101202</p>
2	 <p style="text-align: center;">S810-002202</p>	 <p style="text-align: center;">S810-102202</p>
3	 <p style="text-align: center;">S810-003202</p>	 <p style="text-align: center;">S810-103202</p>
4	 <p style="text-align: center;">S810-004202</p>	 <p style="text-align: center;">S810-104202</p>

No. of pin	Receptacle connector(Female)	Plug connector(Male)
6	 <p data-bbox="686 627 837 660">S810-006202</p>	 <p data-bbox="1244 627 1396 660">S810-106202</p>
8	 <p data-bbox="686 1041 837 1075">S810-008202</p>	 <p data-bbox="1244 1041 1396 1075">S810-108202</p>

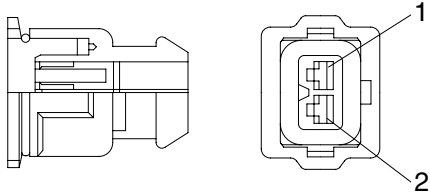
### 5) 375 FASTEN TYPE CONNECTOR

No. of pin	Receptacle connector(Female)	Plug connector(Male)
2	 <p style="text-align: center;">S810-002402</p>	 <p style="text-align: center;">S810-102402</p>

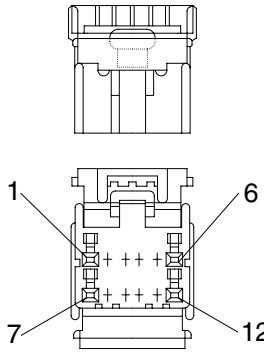
### 6) AMP ECONOSEAL CONNECTOR

No. of pin	Receptacle connector(Female)	Plug connector(Male)
36	 <p style="text-align: center;">344111-1</p>	 <p style="text-align: center;">344108-1</p>

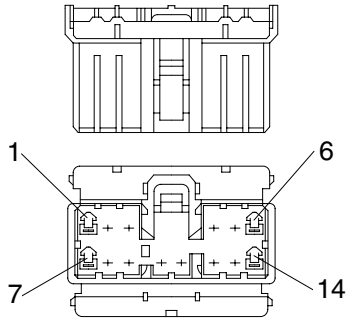
### 7) AMP TIMER CONNECTOR

No. of pin	Receptacle connector(Female)	Plug connector(Male)
2	 <p style="text-align: center;">85202-1</p>	

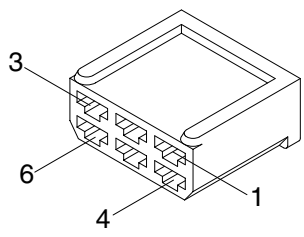
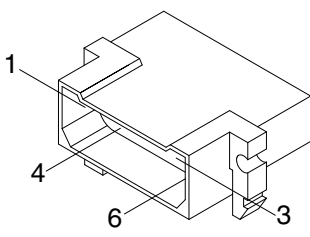
### 8) AMP 040 MULTILOCK CONNECTOR

No. of pin	Receptacle connector(Female)	Plug connector(Male)
12	 <p>174045-2</p>	

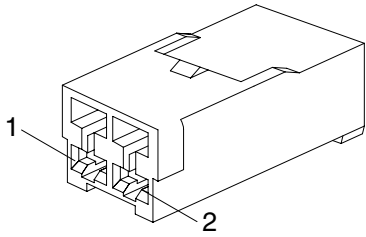
### 9) AMP 070 MULTILOCK CONNECTOR

No. of pin	Receptacle connector(Female)	Plug connector(Male)
14	 <p>173852</p>	

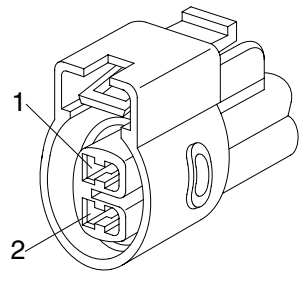
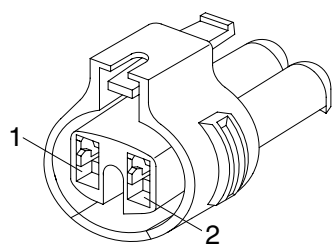
### 10) AMP FASTIN - FASTON CONNECTOR

No. of pin	Receptacle connector(Female)	Plug connector(Male)
6	 <p>925276-0</p>	 <p>480003-9</p>

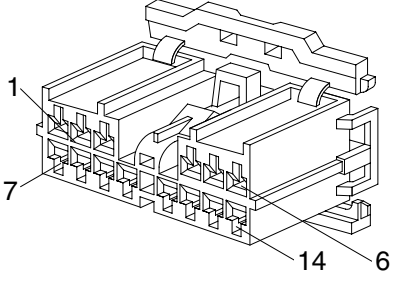
**11) KET 090 CONNECTOR**

No. of pin	Receptacle connector(Female)	Plug connector(Male)
2	 <p style="text-align: right;">MG610070</p>	

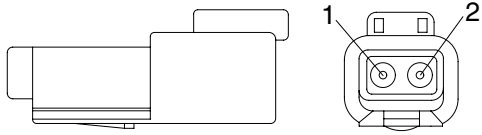
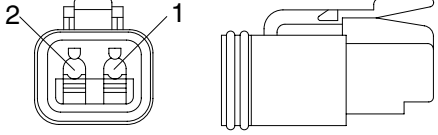
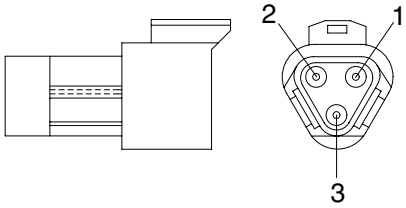
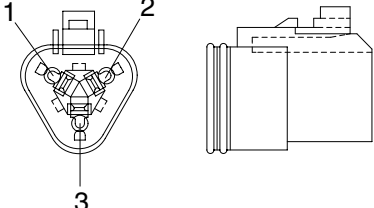
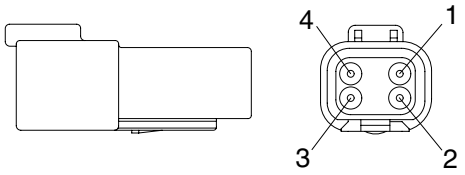
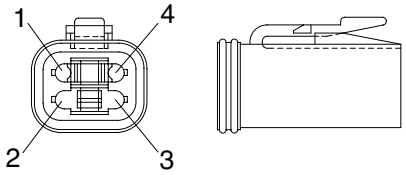
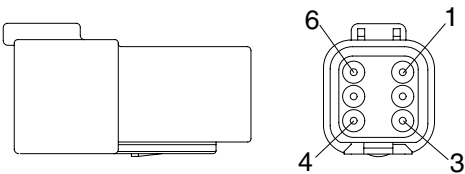
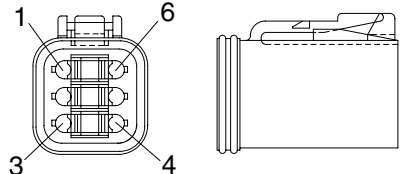
**12) KET 090 WP CONNECTORS**

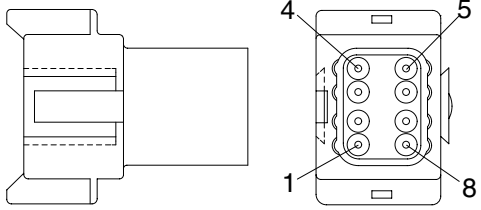
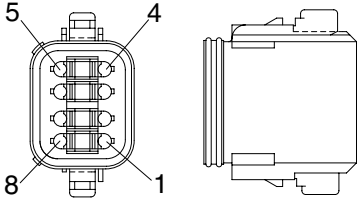
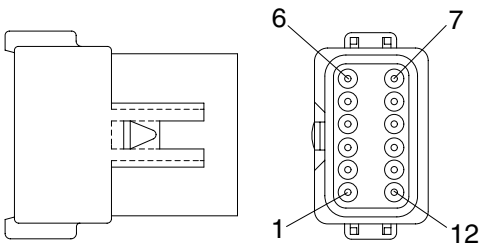
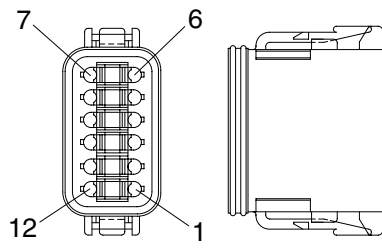
No. of pin	Receptacle connector(Female)	Plug connector(Male)
2	 <p style="text-align: right;">MG640605</p>	
2	 <p style="text-align: right;">MG640795</p>	

### 13) KET SDL CONNECTOR

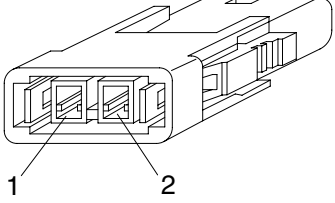
No. of pin	Receptacle connector(Female)	Plug connector(Male)
14	 <p style="text-align: right;">MG610406</p>	

# 14) DEUTSCH DT CONNECTORS

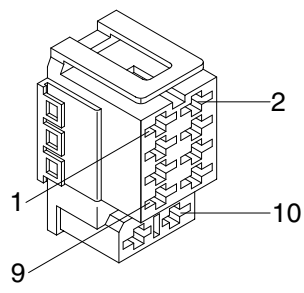
No. of pin	Receptacle connector(Female)	Plug connector(Male)
2	 <p style="text-align: center;">DT06-2S</p>	 <p style="text-align: center;">DT06-2P</p>
3	 <p style="text-align: center;">DT06-3S</p>	 <p style="text-align: center;">DT06-3P</p>
4	 <p style="text-align: center;">DT06-4S</p>	 <p style="text-align: center;">DT06-4P</p>
6	 <p style="text-align: center;">DT06-6S</p>	 <p style="text-align: center;">DT06-6P</p>

No. of pin	Receptacle connector(Female)	Plug connector(Male)
8	 <p data-bbox="734 627 837 660">DT06-8S</p>	 <p data-bbox="1284 627 1388 660">DT06-8P</p>
12	 <p data-bbox="718 1030 837 1064">DT06-12S</p>	 <p data-bbox="1276 1030 1396 1064">DT06-12P</p>

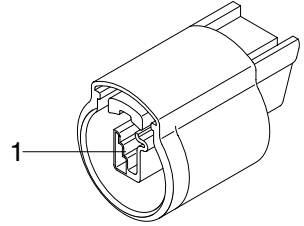
**15) MOLEX 2CKTS CONNECTOR**

No. of pin	Receptacle connector(Female)	Plug connector(Male)
2	 <p style="text-align: right;">35215-0200</p>	

**16) ITT SWF CONNECTOR**

No. of pin	Receptacle connector(Female)	Plug connector(Male)
10	 <p style="text-align: right;">SWF593757</p>	

**17) MWP NMWP CONNECTOR**

No. of pin	Receptacle connector(Female)	Plug connector(Male)
1	 <p style="text-align: right;">NMWP01F-B</p>	