

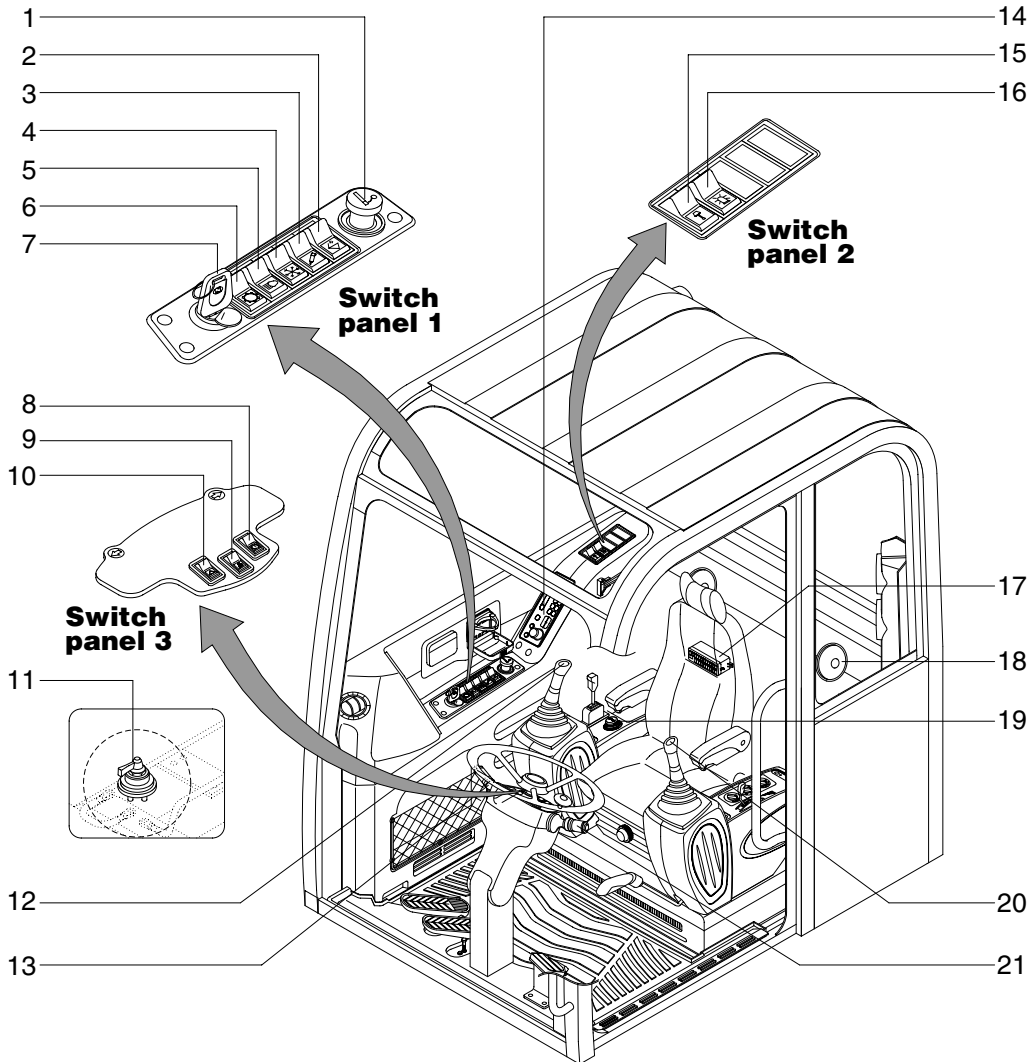
SECTION 4 ELECTRICAL SYSTEM

Group 1 Component Location	4-1
Group 2 Monitoring system	4-3
Group 3 Electrical Circuit	4-11
Group 4 Electrical Component Specification	4-28
Group 5 Connectors	4-38

SECTION 4 ELECTRICAL SYSTEM

GROUP 1 COMPONENT LOCATION

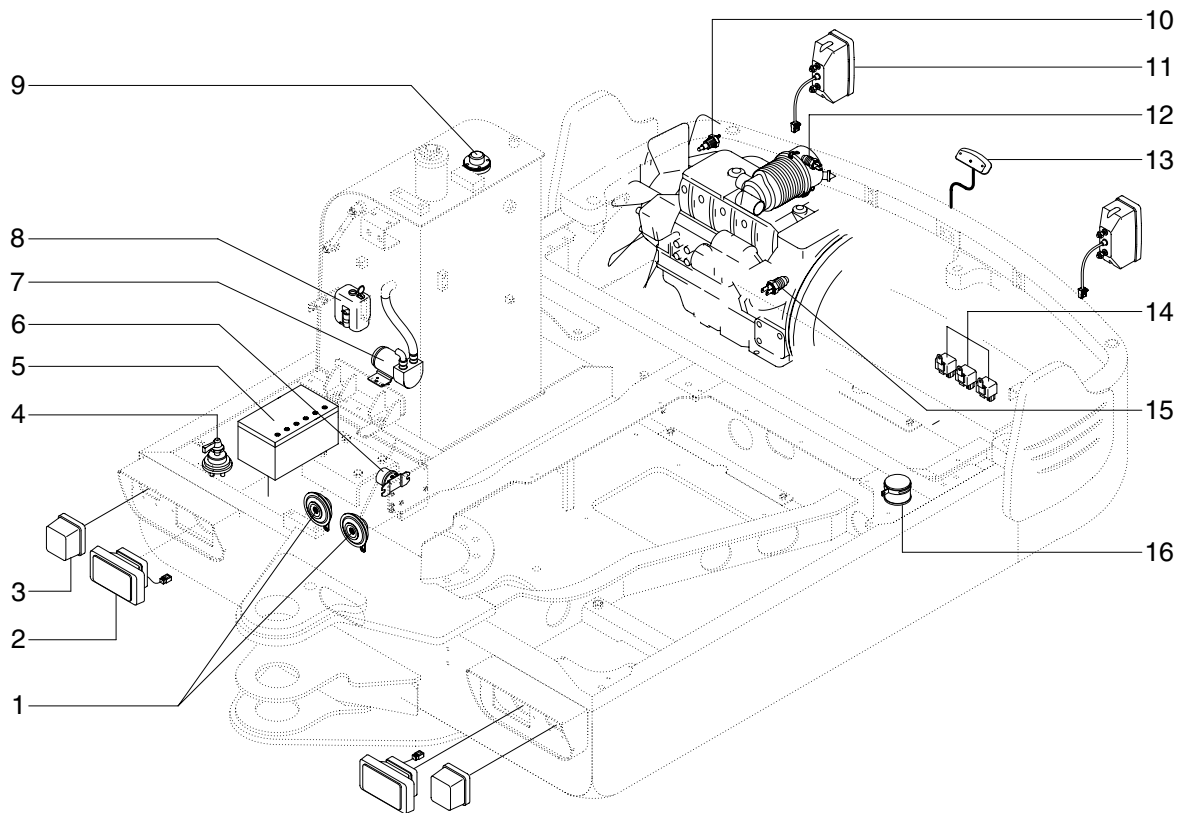
1. LOCATION 1



55W74EL02

- | | | |
|-------------------------------|-----------------------------|----------------------------|
| 1 Cigar light | 8 Parking brake switch | 15 Boom offset switch |
| 2 Quick clamp switch | 9 Ram lock switch | 16 Beacon switch |
| 3 Breaker selection switch | 10 Hazard switch | 17 Fuse box |
| 4 Aircon switch | 11 Master switch | 18 Speaker |
| 5 Work light high beam switch | 12 Breaker operation switch | 19 12V socket |
| 6 Main light switch | 13 Multifunction switch(RH) | 20 Horn switch |
| 7 Start switch | 14 Cassette & radio | 21 Mutifunction switch(LH) |

2. LOCATION 2



55W74EL03

- | | | | | | |
|---|-----------------------|----|-----------------------------|----|----------------------------|
| 1 | Horn | 7 | Fuel filler pump | 13 | Number plate lamp |
| 2 | Head lamp | 8 | Washer pump | 14 | Relays |
| 3 | Flasher position lamp | 9 | Fuel sender | 15 | Engine oil pressure switch |
| 4 | Master switch | 10 | Temperature sender | 16 | Travel alarm buzzer |
| 5 | Battery | 11 | Combination lamp | | |
| 6 | Battery relay | 12 | Air clearer pressure switch | | |