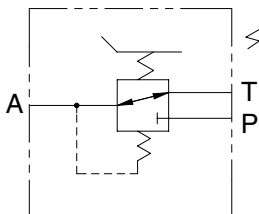
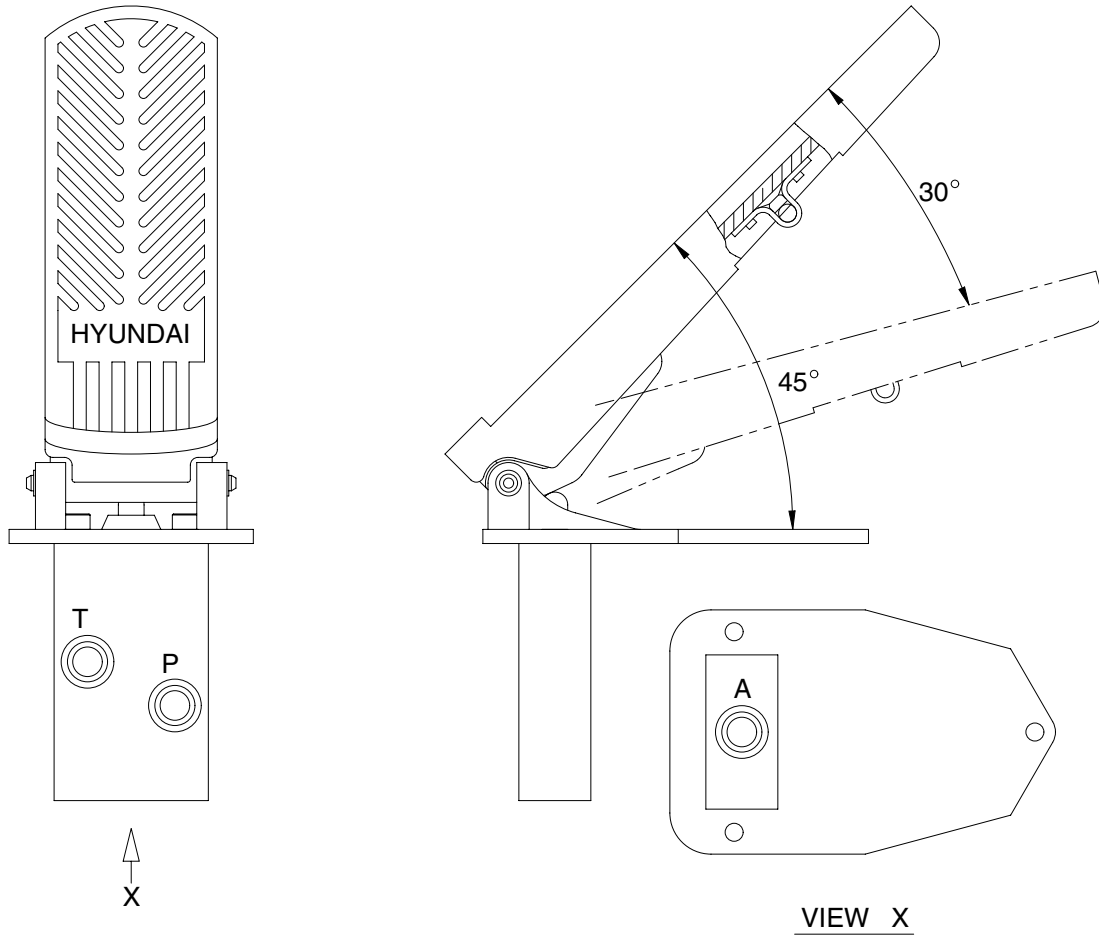


GROUP 6 RCV PEDAL

1. STRUCTURE

The casing has the oil inlet port P(Primary pressure), and the oil return port T(Tank). In addition the secondary pressure is taken out through port A.



Port	Port name	Port size
P	Pilot oil inlet port	PF 1/4
T	Pilot oil return port	
A	Pilot oil output port	

55W72AP01