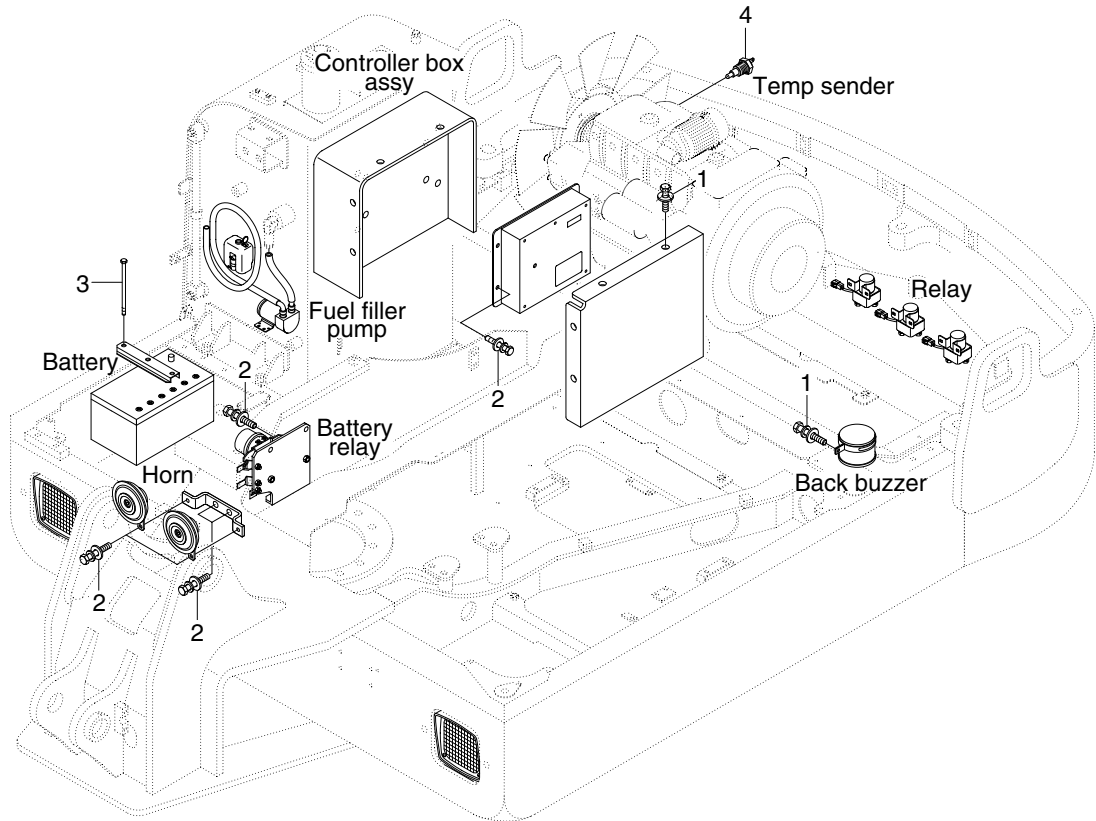


## GROUP 3 ELECTRIC SYSTEM

### 1. ELECTRIC COMPONENTS MOUNTING 1



5598CM03

#### · Tightening torque

Item	Size	kgf · m	lbf · ft
1	M 6×1.0	1.05±0.2	7.6±1.45
2	M 8×1.25	2.5±0.5	18.1±3.6

Item	Size	kgf · m	lbf · ft
3	M10×1.5	6.9±1.4	49.9±10.1
4	-	2.0±0.2	14.5±1.4