

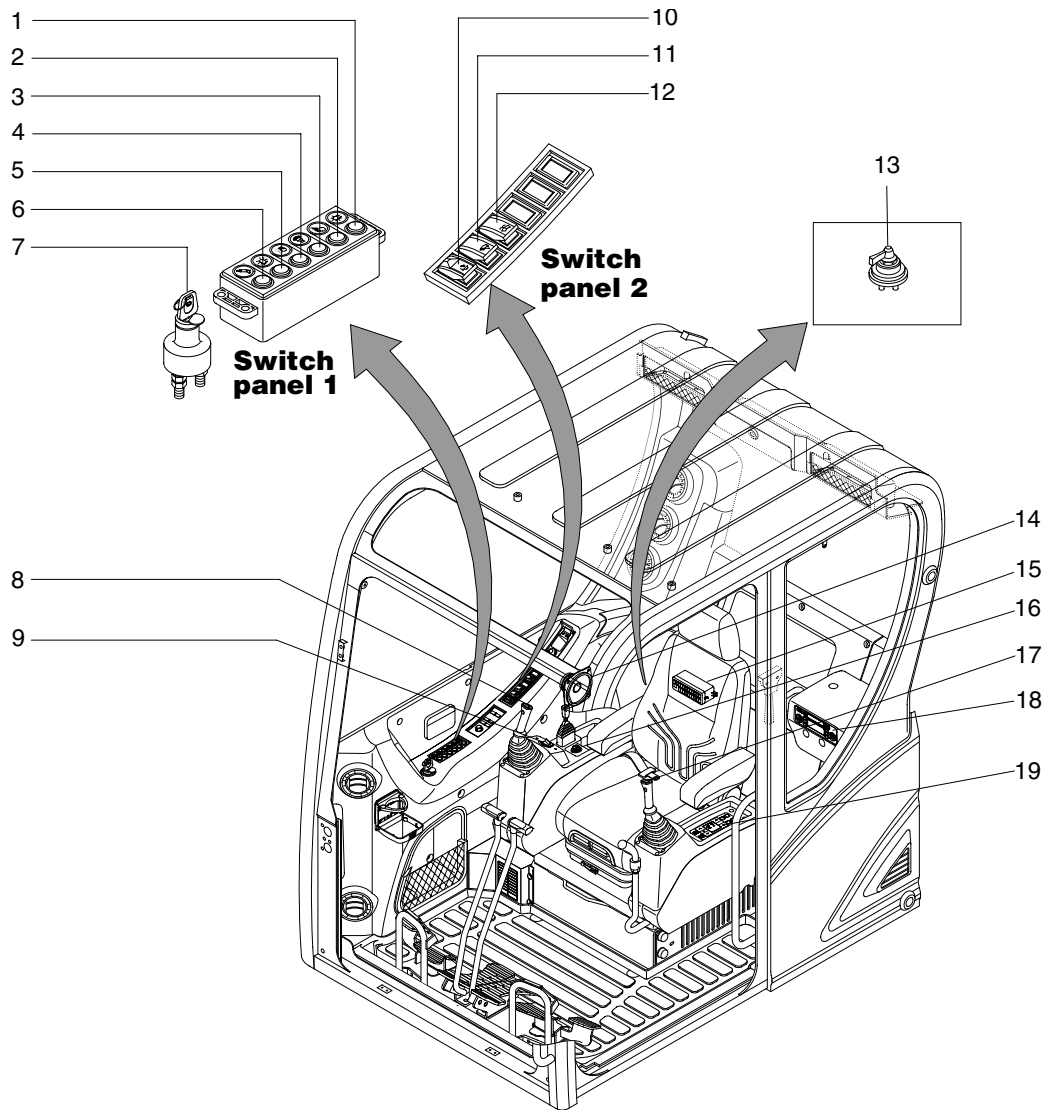
SECTION 4 ELECTRICAL SYSTEM

Group 1 Component Location	4-1
Group 2 Monitoring system	4-3
Group 3 Electrical Circuit	4-16
Group 4 Electrical Component Specification	4-32
Group 5 Connectors	4-39

SECTION 4 ELECTRICAL SYSTEM

GROUP 1 COMPONENT LOCATION

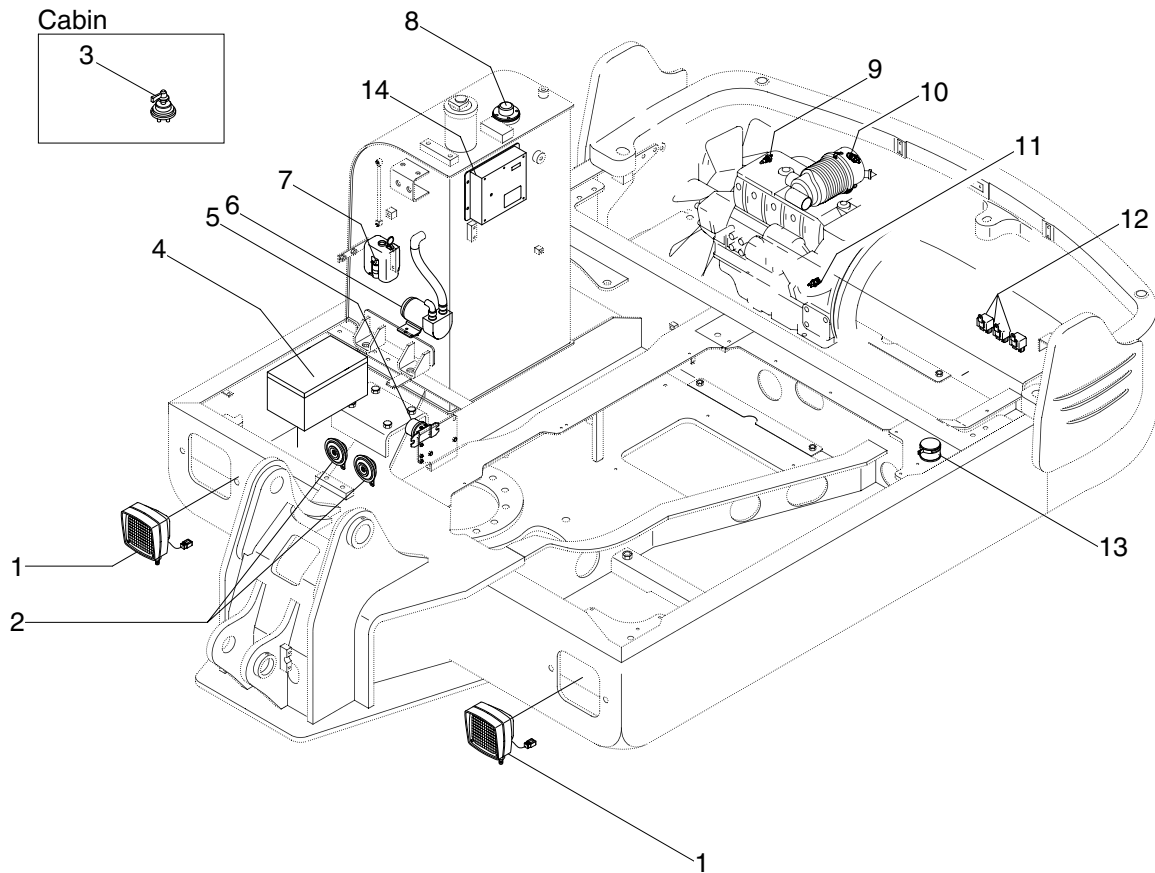
1. LOCATION 1



5594EL02

- | | | | | | |
|---|--------------------------|----|--------------------------|----|----------------------------|
| 1 | Head light switch | 8 | Breaker operation switch | 15 | Fuse box |
| 2 | Work light switch | 9 | Accel dial switch | 16 | Cigar lighter |
| 3 | Travel alarm switch | 10 | Quick clamp switch | 17 | Horn switch |
| 4 | Cab light switch | 11 | Wiper switch | 18 | Radio & CD/MP3 player |
| 5 | Beacon switch | 12 | Washer switch | 19 | Aircon & heater controller |
| 6 | Breaker selection switch | 13 | Master switch | | |
| 7 | Start switch | 14 | Speaker | | |

2. LOCATION 2



5594EL03

- | | | | | | |
|---|---------------|----|--------------------|----|----------------------------|
| 1 | Lamp | 6 | Fuel filler pump | 11 | Engine oil pressure switch |
| 2 | Horn | 7 | Washer pump | 12 | Relays |
| 3 | Master switch | 8 | Fuel sender | 13 | Travel alarm buzzer |
| 4 | Battery | 9 | Temperature sender | 14 | MCU |
| 5 | Battery relay | 10 | Air clearer switch | | |