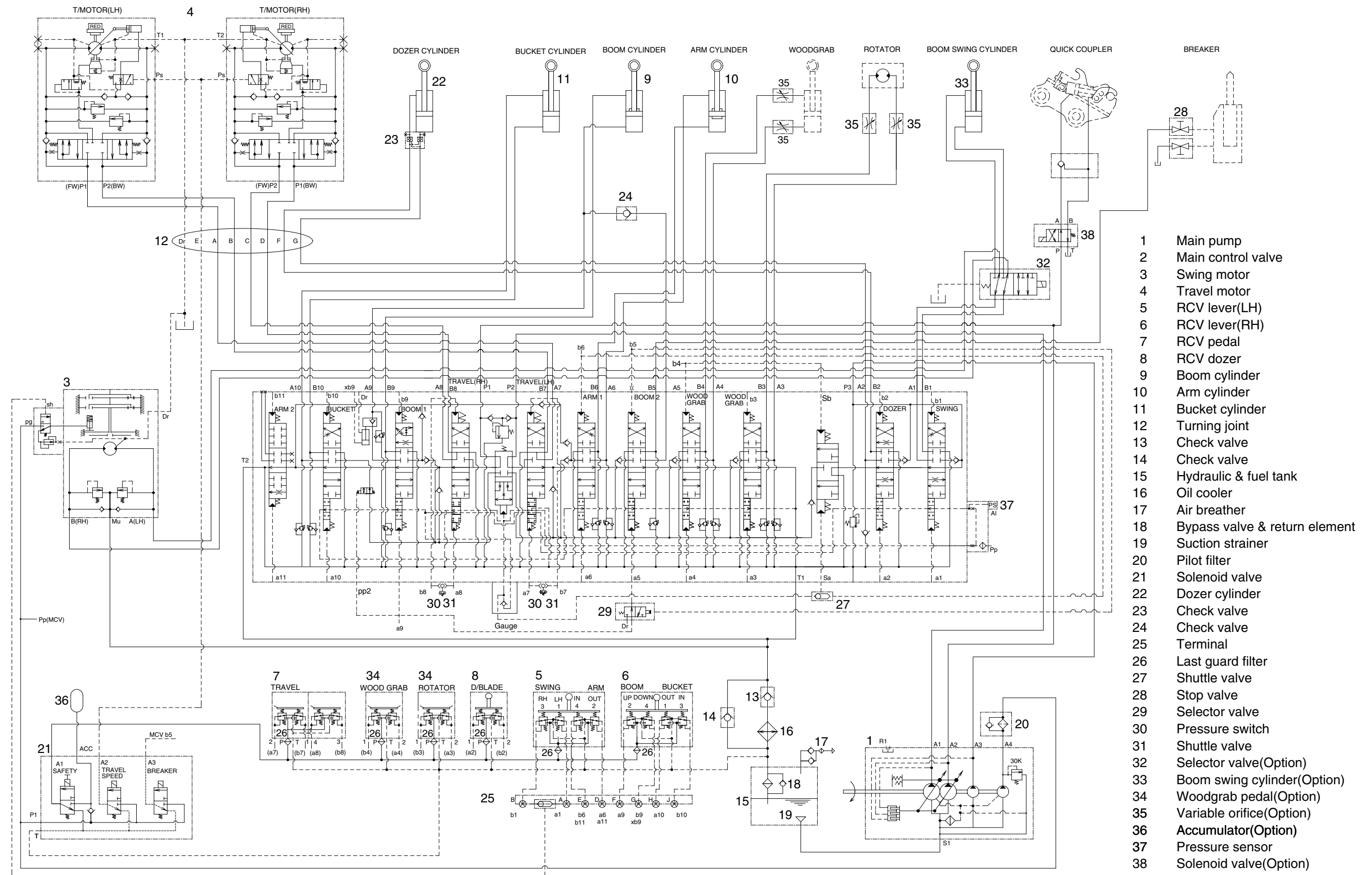


SECTION 3 HYDRAULIC SYSTEM

GROUP 1 HYDRAULIC CIRCUIT



5593HC01