

SECTION 4 ELECTRICAL SYSTEM

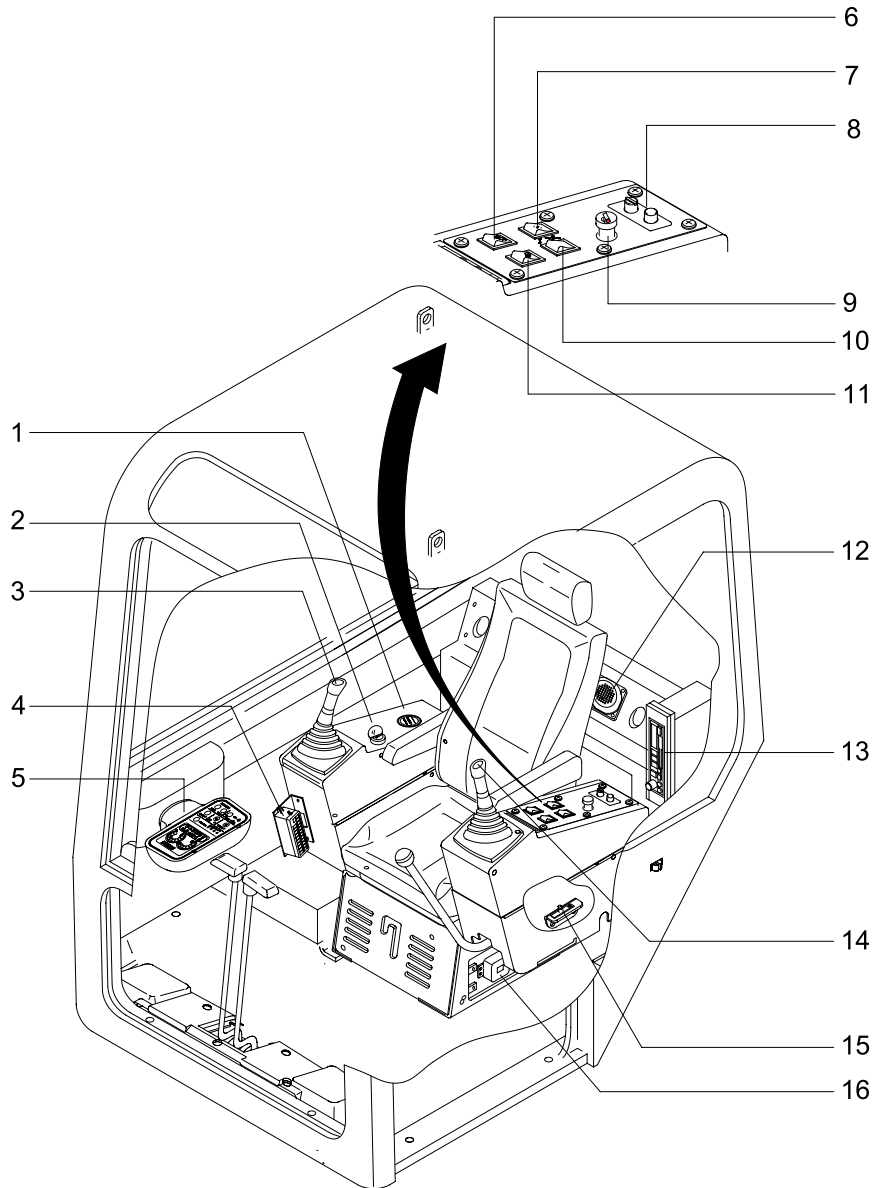


Group 1 Component Location ----- 4-1
Group 2 Electrical Circuit Diagram ----- 4-3
Group 3 Electrical Circuit Operation ----- 4-9
Group 4 Monitoring System ----- 4-23

SECTION 4 ELECTRICAL SYSTEM

GROUP 1 COMPONENT LOCATION

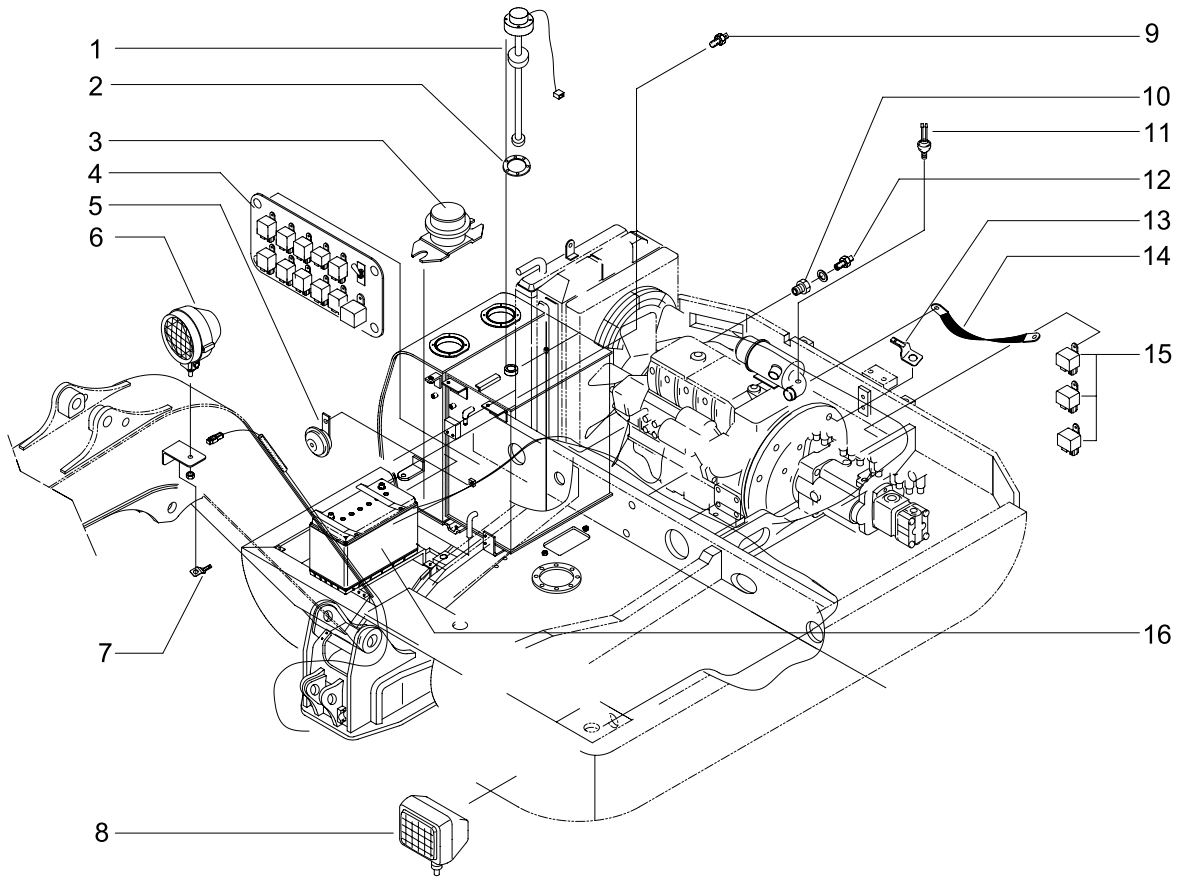
1. LOCATION 1



R55NM4EL02

- | | | | |
|---|-------------------------------------|----|-------------------------------------|
| 1 | Hour meter | 9 | Wiper & washer switch |
| 2 | Starting switch | 10 | Beacon switch |
| 3 | Horn switch (-#1538) | 11 | Speaker |
| | Breaker push button switch (#1539-) | 12 | Cassette & radio |
| 4 | Fuse box | 13 | Cigar light switch |
| 5 | Cluster | 14 | Breaker push button switch (-#1538) |
| 6 | Breaker switch | | Horn switch (#1539-) |
| 7 | Heater blower switch | 15 | Safety switch |
| 8 | Air-con switch | 16 | Controller |

2. LOCATION 2



R55NM4EL03

- | | | |
|-----------------|--------------------------------|-----------------------------|
| 1 Fuel sender | 7 Connector plate | 12 Water temperature switch |
| 2 Gasket | 8 Head lamp | 13 Connector plate |
| 3 Battery relay | 9 Hydraulic temperature switch | 14 Earth cable |
| 4 Relay board | 10 Adapter | 15 Relay |
| 5 Horn | 11 Air cleaner switch | 16 Battery |
| 6 Work lamp | | |