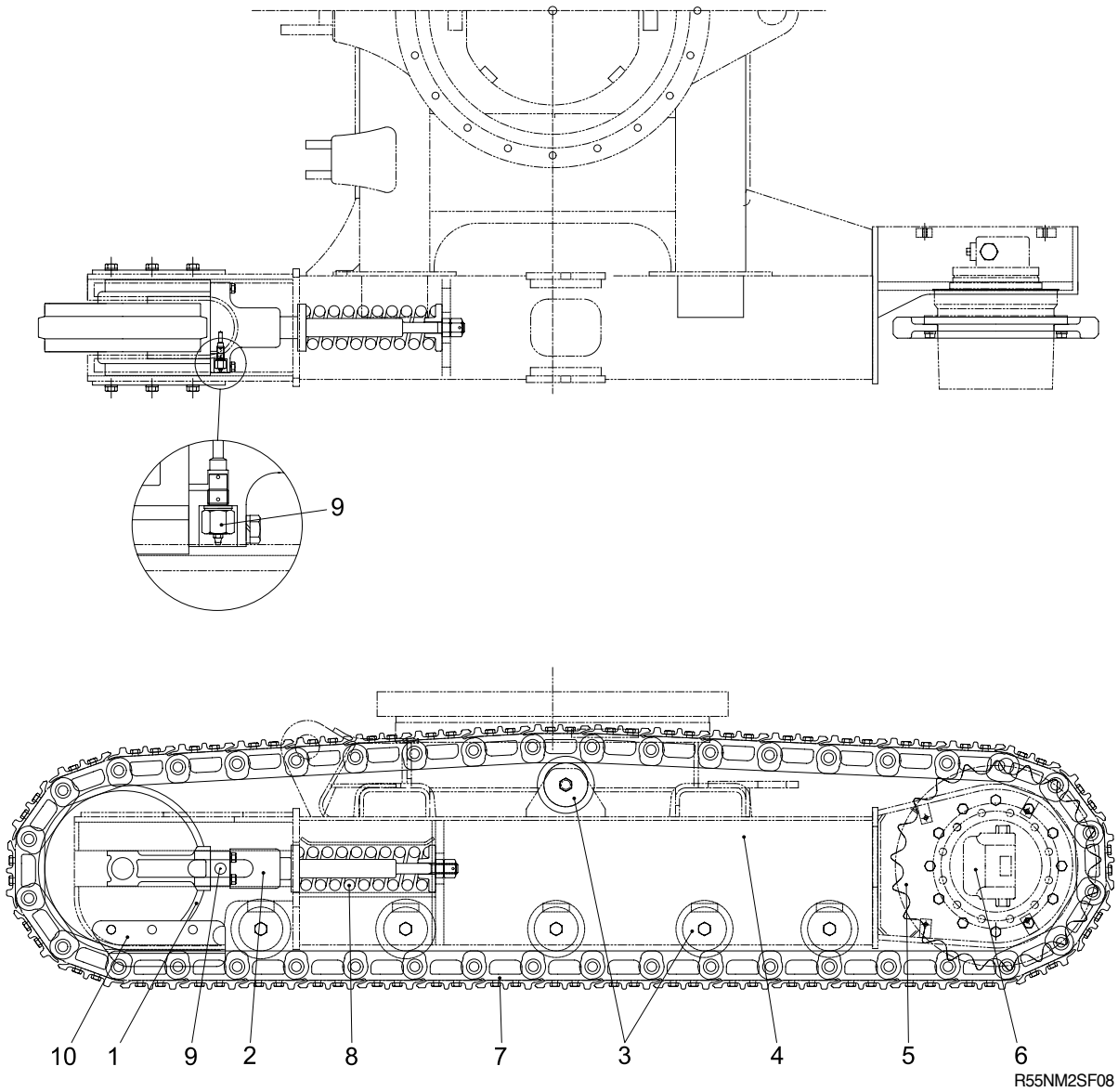


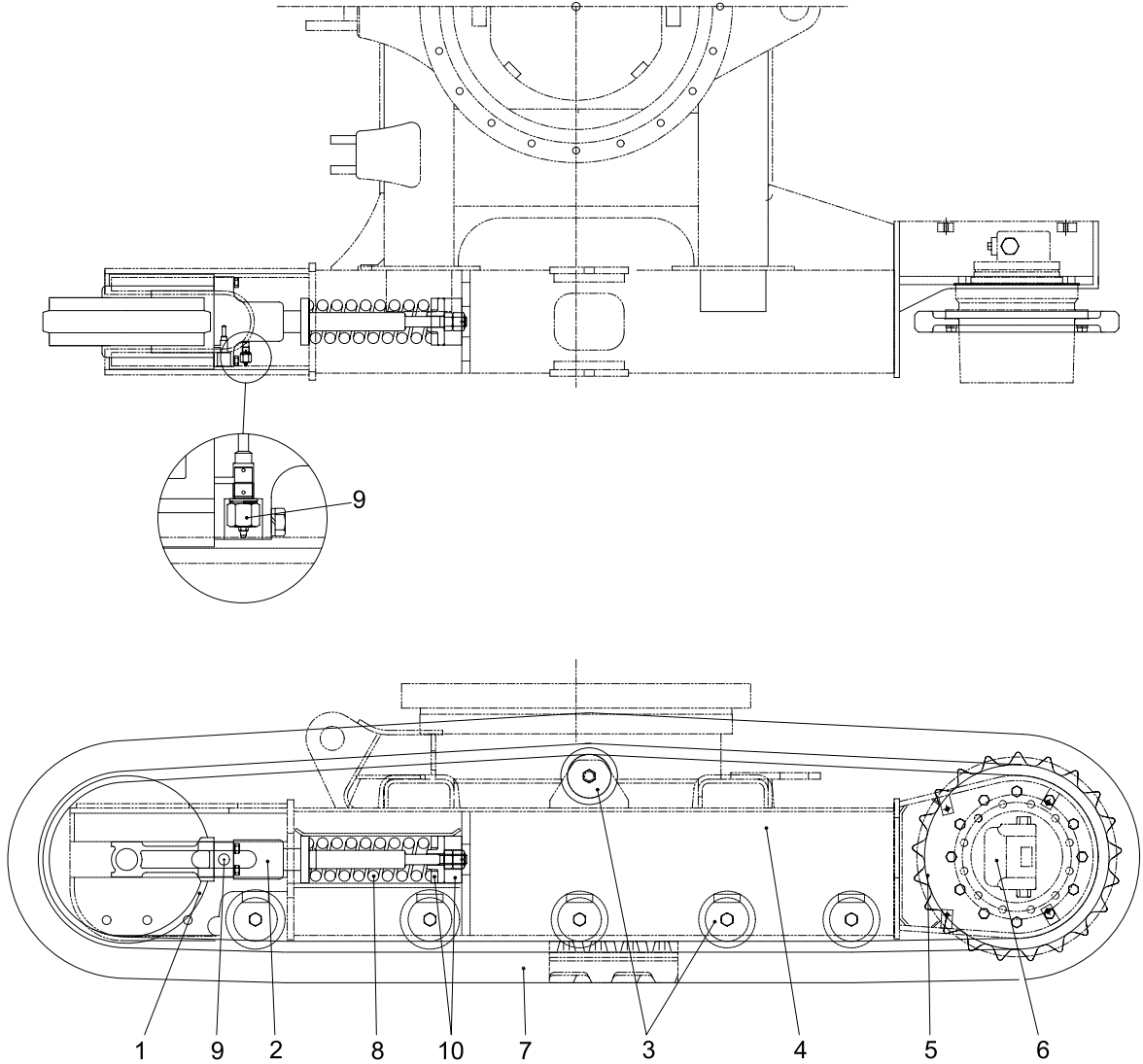
GROUP 9 TRACK FRAME AND TENSION SPRING

1. STEEL SHOE



- | | | | |
|---|-----------------------------|----|----------------|
| 1 | Idler | 6 | Travel motor |
| 2 | Plunger | 7 | Track shoe |
| 3 | Carrier roller/Track roller | 8 | Tension spring |
| 4 | Track frame | 9 | Lubricator |
| 5 | Sprocket | 10 | Guard |

2. RUBBER SHOE



R55NM2SF09

- | | | | |
|---|-----------------------------|----|----------------|
| 1 | Idler | 6 | Travel motor |
| 2 | Plunger | 7 | Track shoe |
| 3 | Carrier roller/Track roller | 8 | Tension spring |
| 4 | Track frame | 9 | Lubricator |
| 5 | Sprocket | 10 | Spacer |