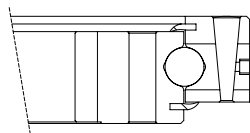
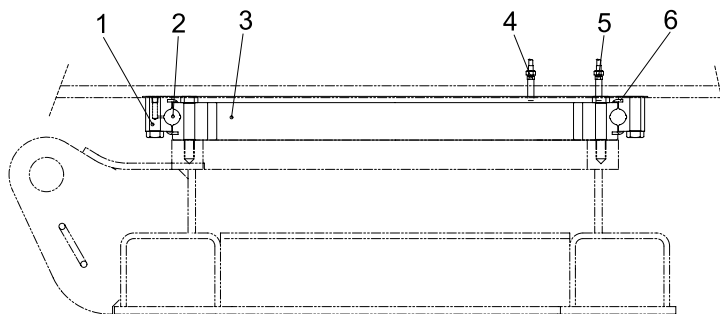
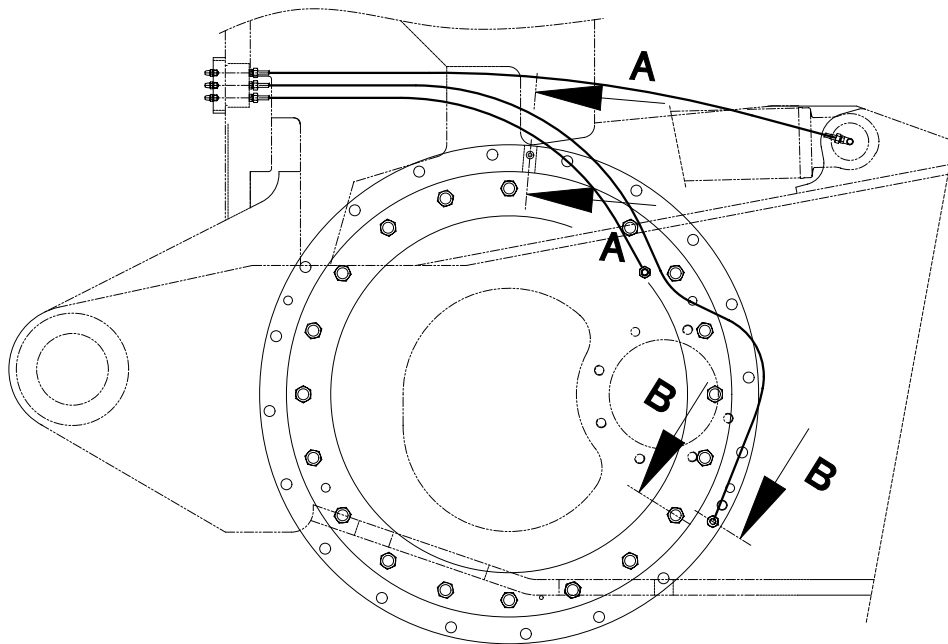
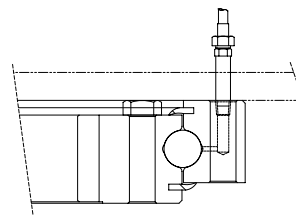


## GROUP 8 SWING CIRCLE



SECTION A-A



SECTION B-B

- |   |                         |   |                                  |
|---|-------------------------|---|----------------------------------|
| 1 | Swing circle outer race | 4 | Swing circle pinion lubricating  |
| 2 | Ball bearing            | 5 | Swing circle bearing lubricating |
| 3 | Swing circle inner race | 6 | Seal                             |

R55NM2SF04