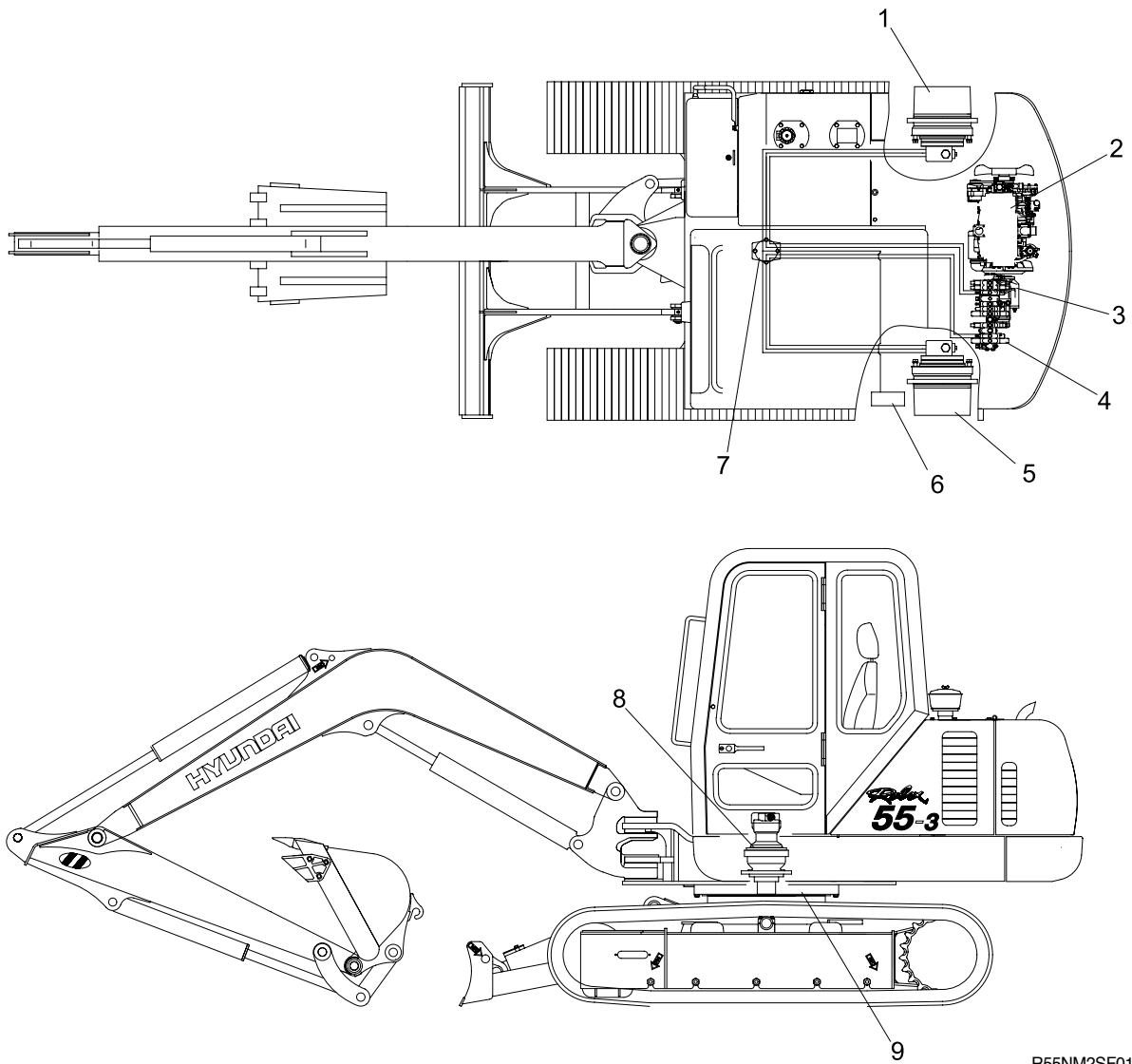


GROUP 7 POWER TRAIN



R55NM2SF01

- | | | | |
|---|--------------------|---|--|
| 1 | RH travel motor | 6 | 4-Tandem solenoid valve
(Acceleration solenoid valve) |
| 2 | Engine | 7 | Center swivel joint |
| 3 | Hydraulic pump | 8 | Swing motor |
| 4 | Main control valve | 9 | Swing circle |
| 5 | LH travel motor | | |