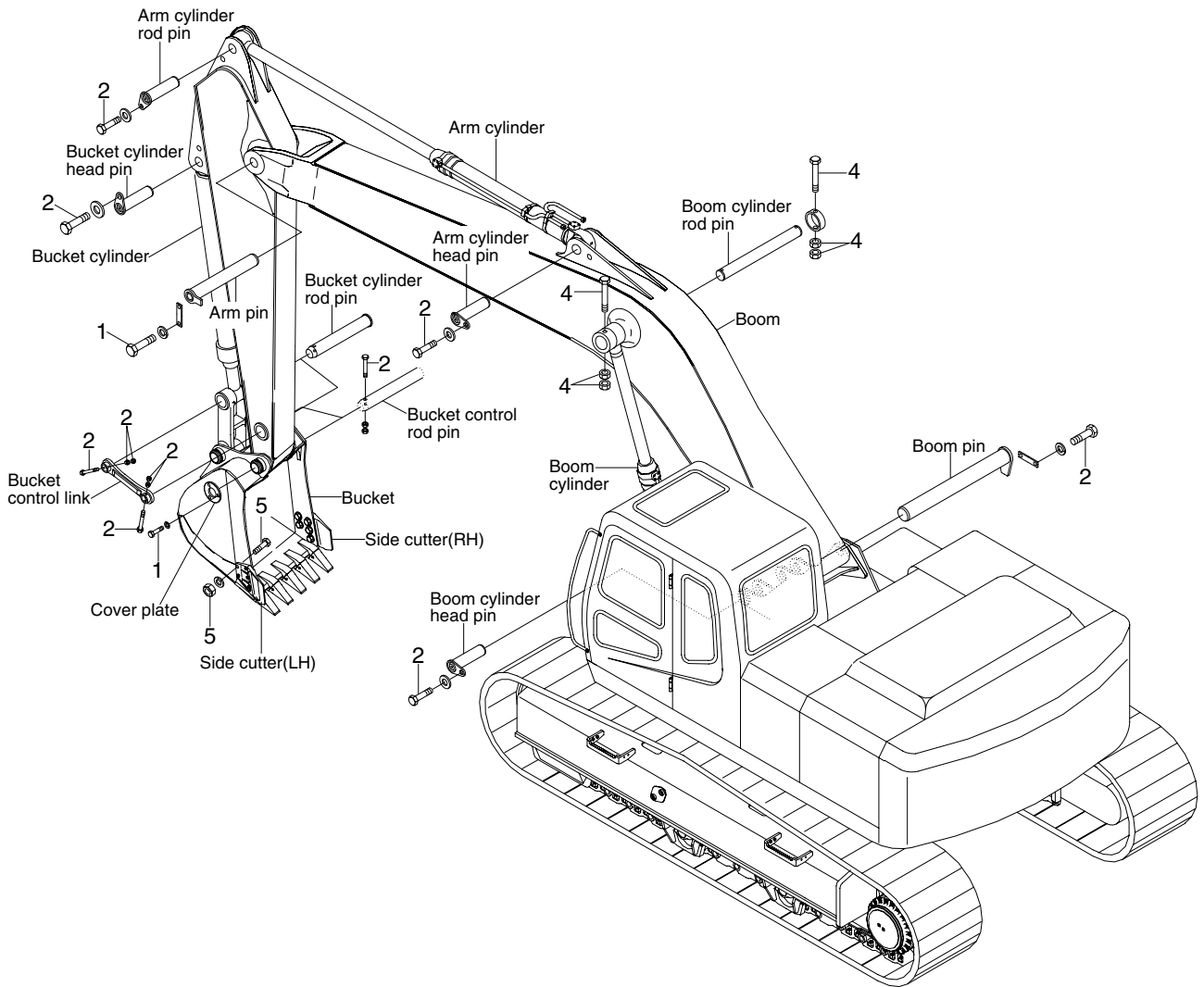


## GROUP 7 WORK EQUIPMENT



38099CM13

### · Tightening torque

Item	Size	kgf · m	lbf · ft
1	M16×2.0	29.7±4.5	215±32.5
2	M20×2.5	57.9±8.7	419±62.9
3	M22×2.5	81.9±16.1	592±116

Item	Size	kgf · m	lbf · ft
4	M24×30	100±15	723±108
5	M30×3.5	199±30	1439±217
-	-	-	-