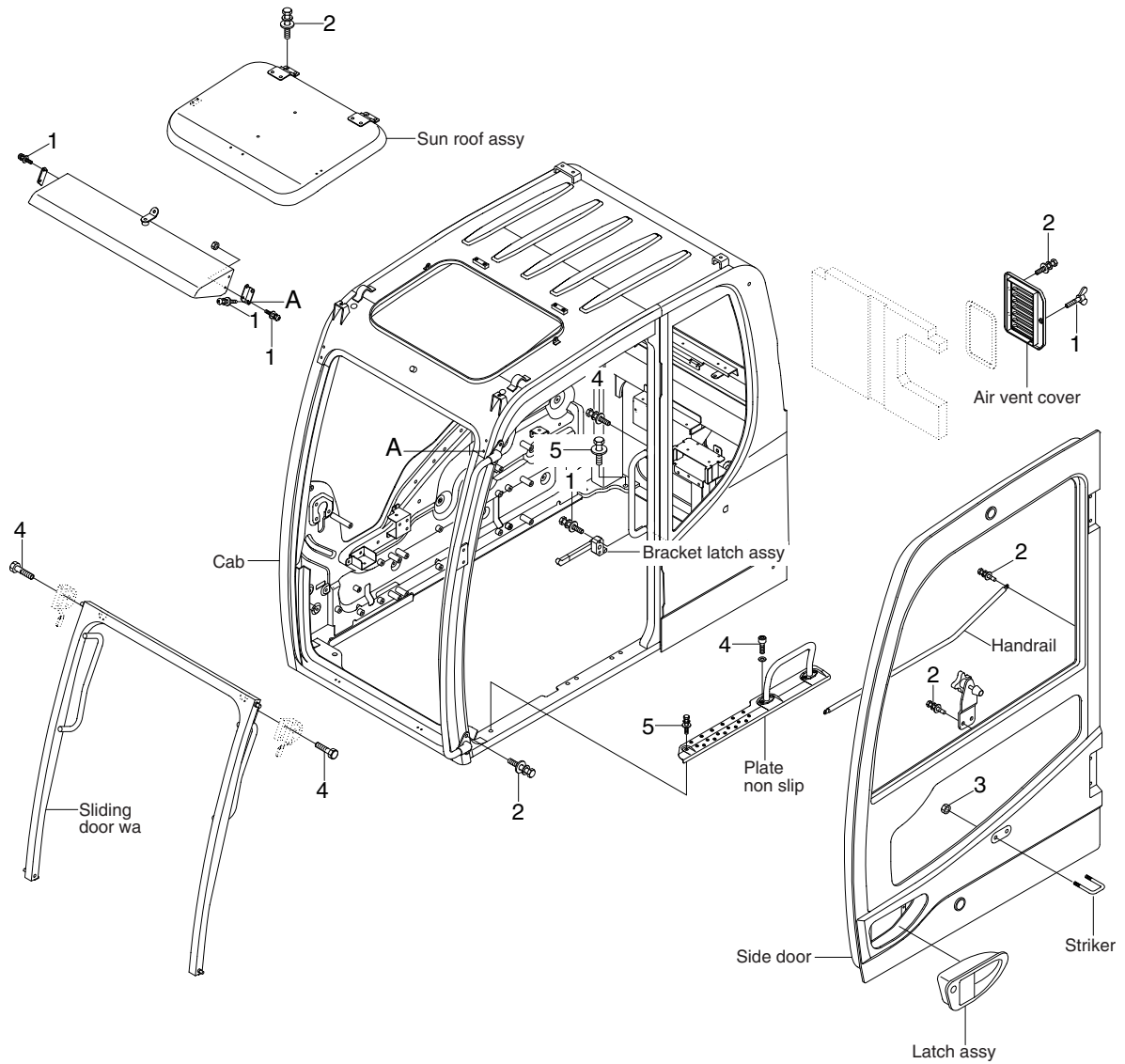


GROUP 6 STRUCTURE

CAB AND ACCESSORIES MOUNTING



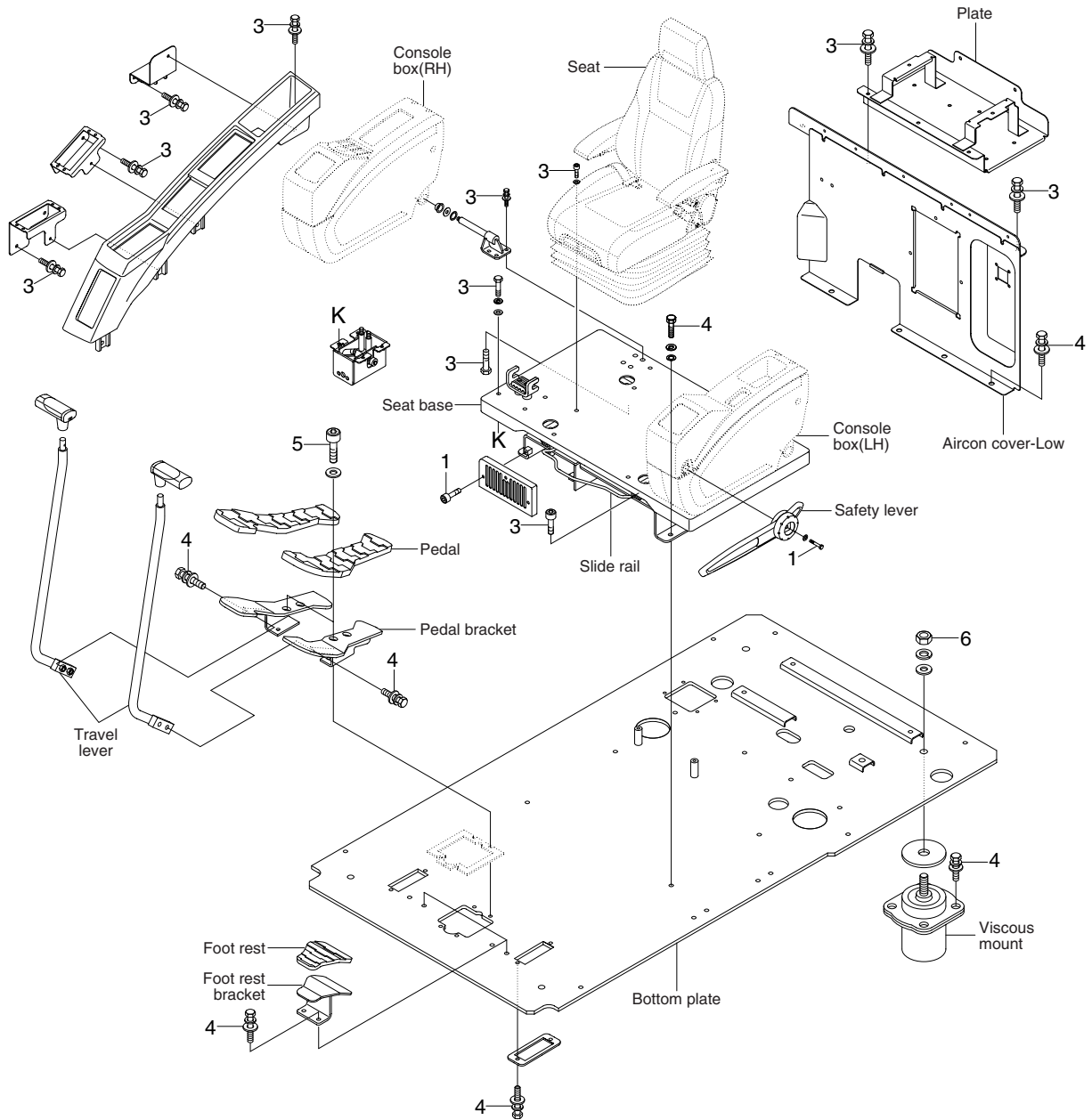
38099CM09

· Tightening torque

| Item | Size | kgf · m | lbf · ft |
|------|----------|----------|----------|
| 1 | M 6×1.0 | 0.49±0.1 | 3.5±0.7 |
| 2 | M 8×1.25 | 2.5±0.5 | 18.1±3.6 |
| 3 | M10×1.5 | 4.7±0.9 | 34±6.5 |

| Item | Size | kgf · m | lbf · ft |
|------|----------|----------|-----------|
| 4 | M10×1.5 | 6.9±1.4 | 49.9±10.1 |
| 5 | M12×1.75 | 12.8±3.0 | 92.6±21.7 |
| - | - | - | - |

CAB INTERIOR MOUNTING



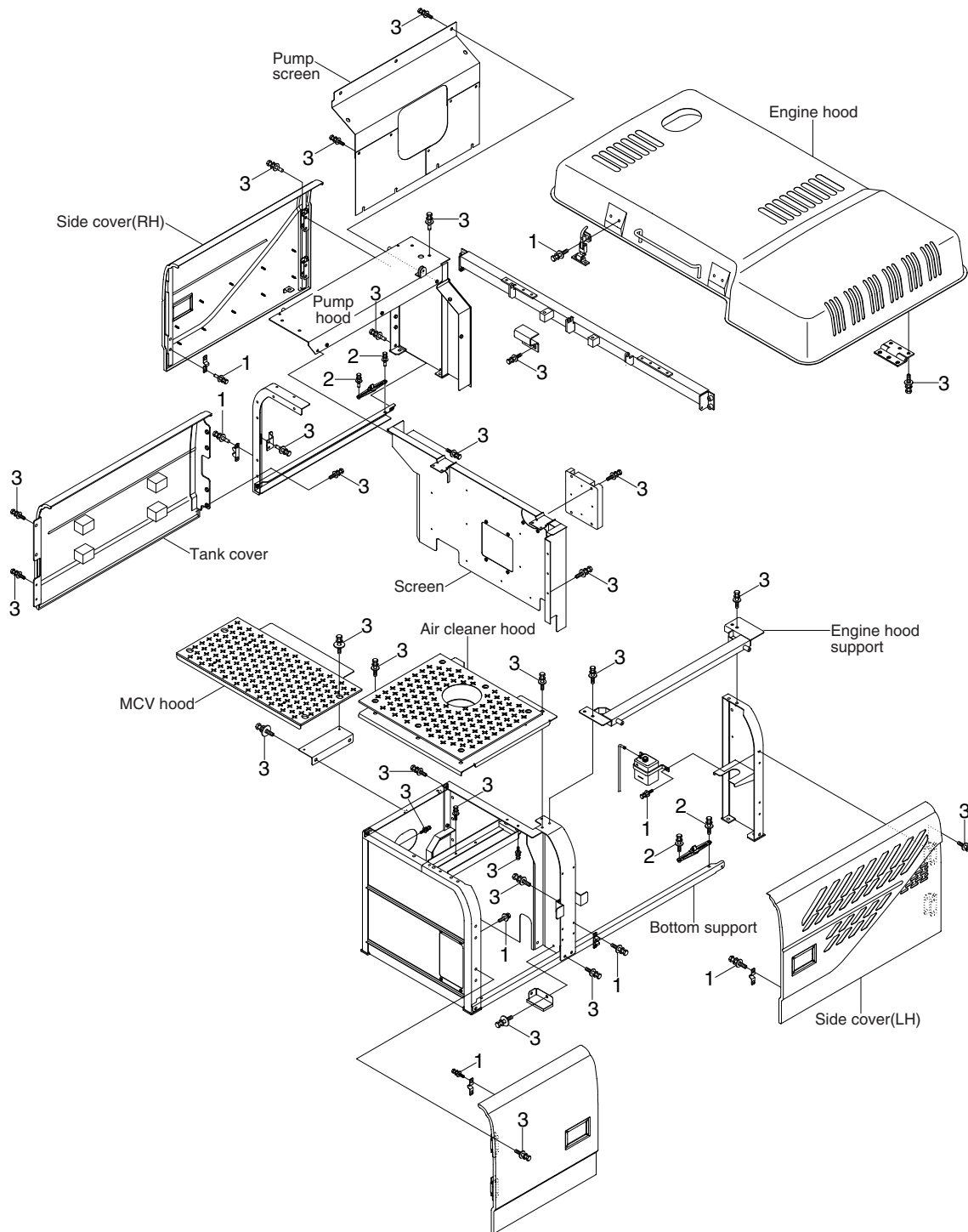
38099CM10

· Tightening torque

| Item | Size | kgf · m | lbf · ft |
|------|----------|----------|----------|
| 1 | M 6×1.0 | 0.49±0.1 | 3.5±0.7 |
| 2 | M 8×1.25 | 4.05±0.8 | 29.3±5.8 |
| 3 | M 8×1.25 | 2.5±0.5 | 18.1±3.6 |

| Item | Size | kgf · m | lbf · ft |
|------|---------|----------|-----------|
| 4 | M10×1.5 | 6.9±1.4 | 49.9±10.1 |
| 5 | M10×1.5 | 8.27±1.7 | 59.8±12.3 |
| 6 | M16×2.0 | 29.7±4.5 | 215±32.5 |

COWLING MOUNTING



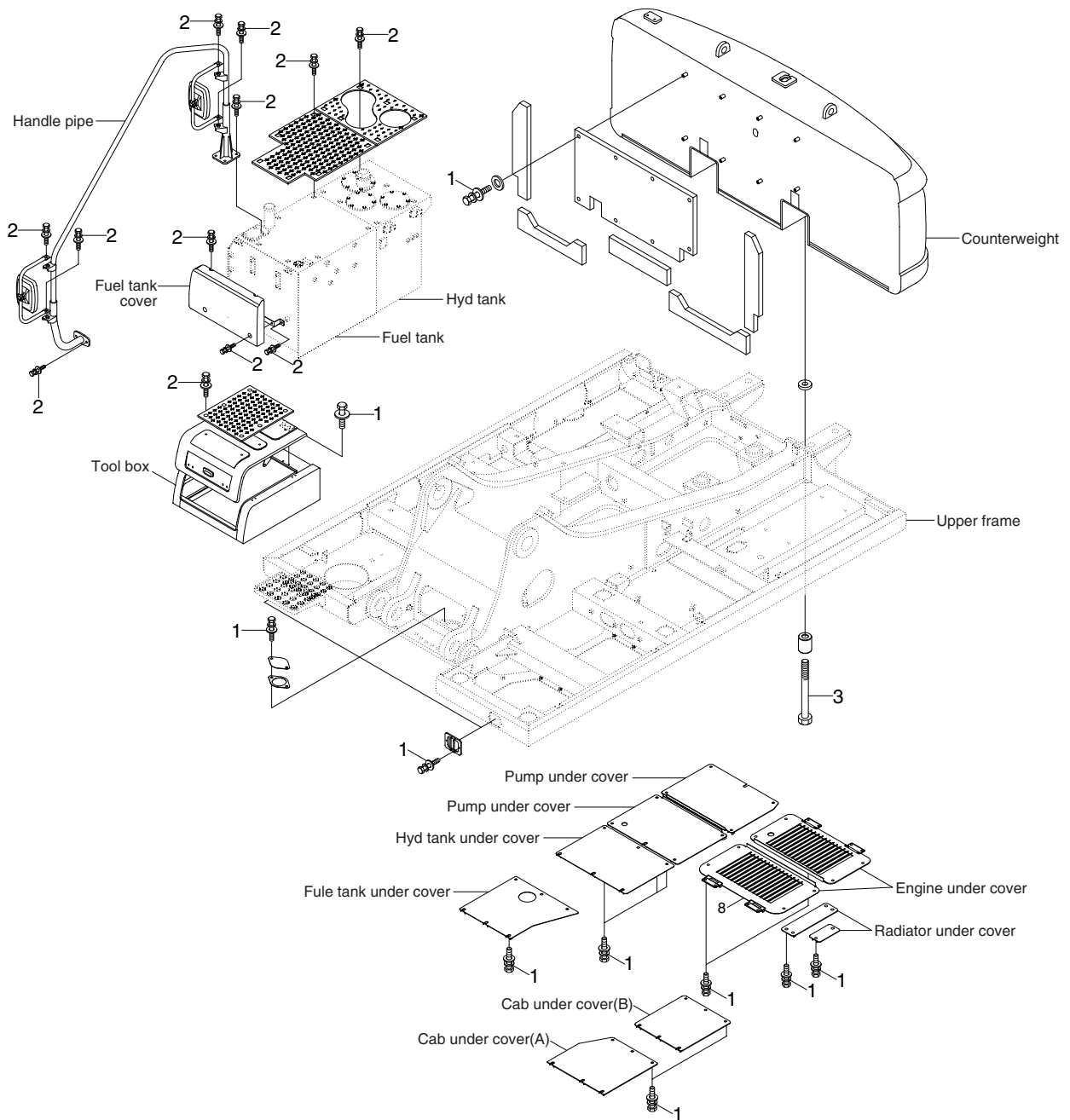
38099CM11

· Tightening torque

| Item | Size | kgf · m | lbf · ft |
|------|----------|---------|-----------|
| 1 | M 8×1.25 | 2.5±0.5 | 18.1±3.6 |
| 2 | M10×1.5 | 6.9±1.4 | 49.9±10.1 |

| Item | Size | kgf · m | lbf · ft |
|------|----------|----------|-----------|
| 3 | M12×1.75 | 12.8±3.0 | 92.6±21.7 |
| 4 | M16×2.0 | 29.7±4.5 | 215±32.5 |

COUNTERWEIGHT AND COVERS MOUNTING



38099CM12

· Tightening torque

| Item | Size | kgf · m | lbf · ft |
|------|----------|----------|-----------|
| 1 | M10×1.5 | 6.9±1.4 | 49.9±10.1 |
| 2 | M12×1.75 | 12.8±3.0 | 92.6±21.7 |

| Item | Size | kgf · m | lbf · ft |
|------|---------|---------|----------|
| 3 | M36×3.0 | 308±46 | 2228±333 |
| - | - | - | - |