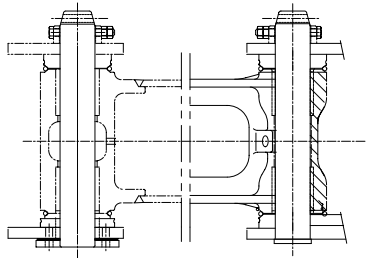
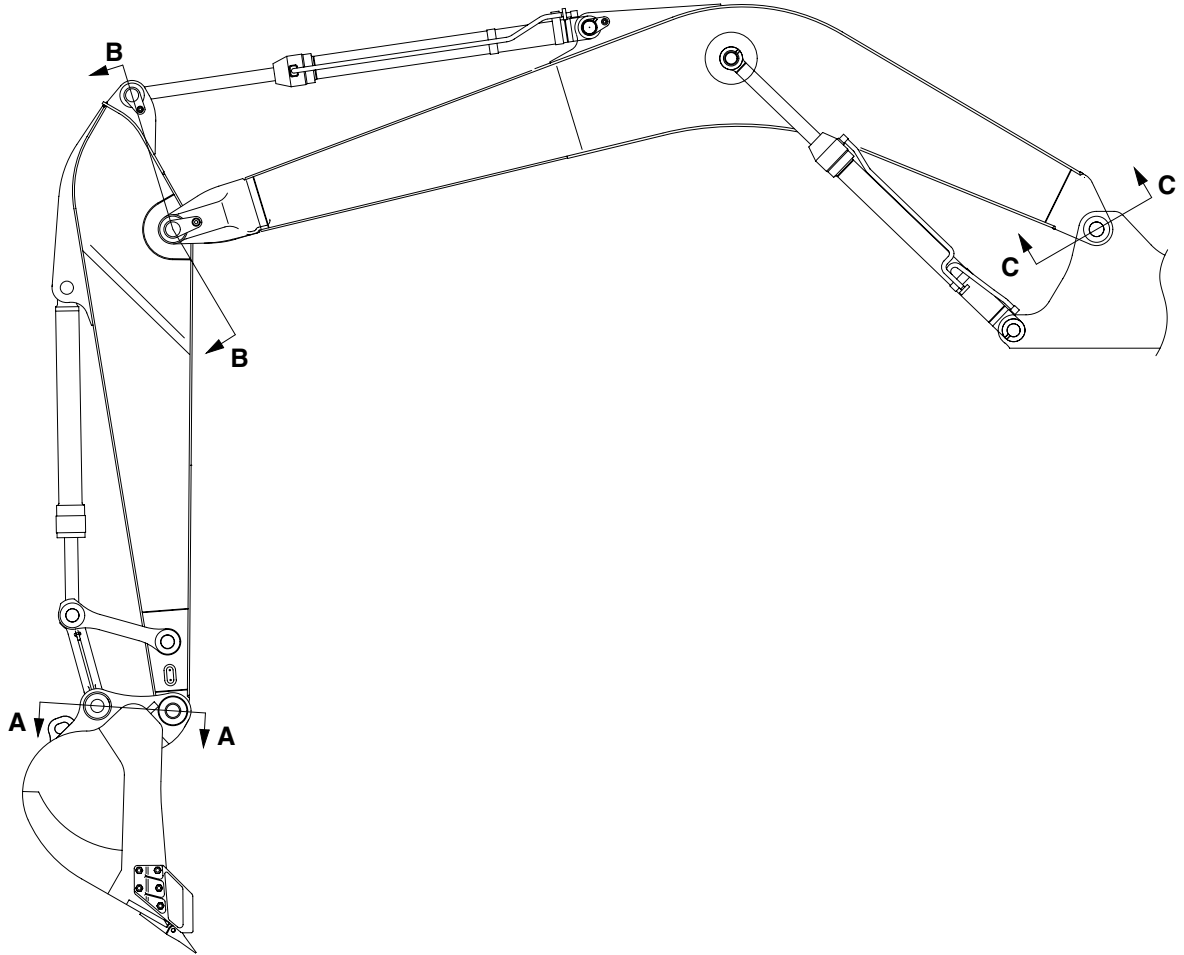
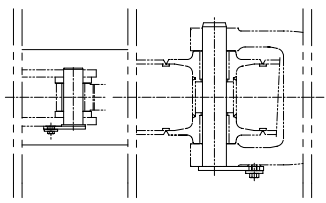


# GROUP 11 WORK EQUIPMENT

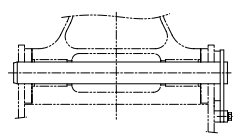
## 1. STRUCTURE



SECTION A



SECTION B



SECTION C

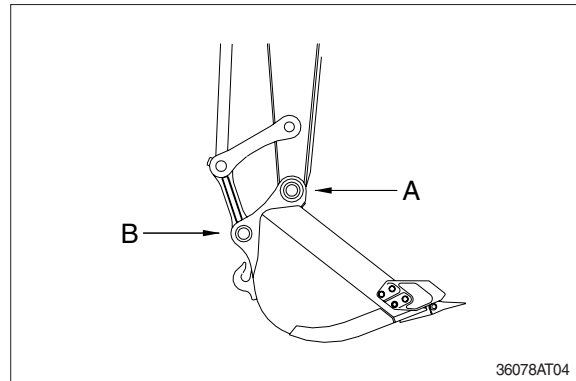
21078DA44

## 2. REMOVAL AND INSTALL

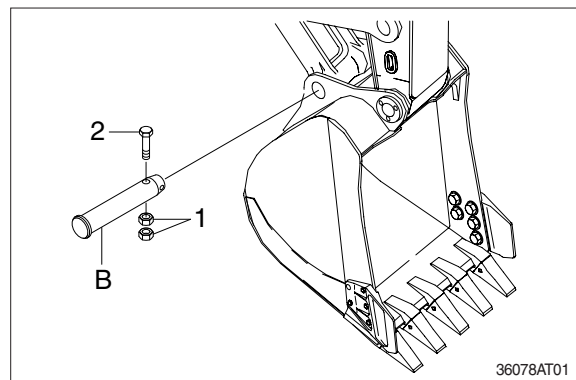
### 1) BUCKET ASSEMBLY

#### (1) Removal

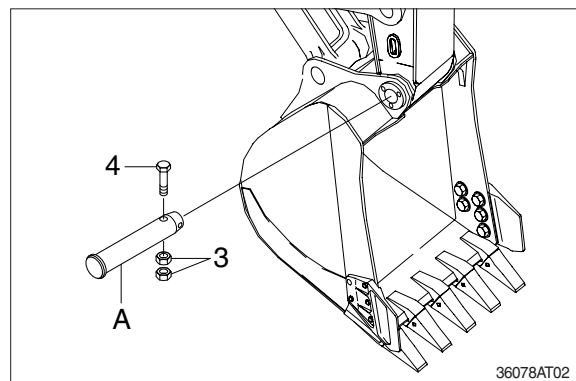
- ① Lower the work equipment completely to ground with back of bucket facing down.



- ② Remove nuts (1), bolt (2) and draw out the pin (B).



- ③ Remove nuts (3), bolt (4) and draw out the pin (A).

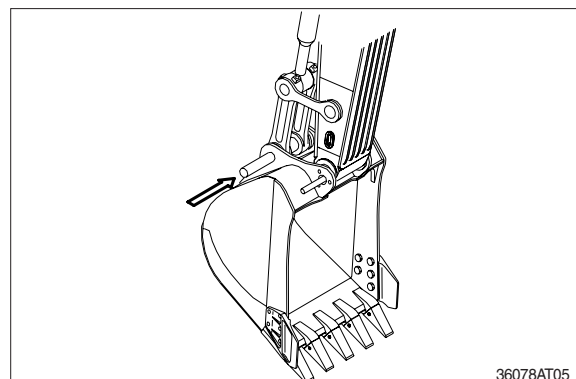


#### (2) Install

- ① Carry out installation in the reverse order to removal.

**▲** When aligning the mounting position of the pin, do not insert your fingers in the pin hole.

※ Adjust the bucket clearance.  
For detail, see **operator's manual**.



## 2) ARM ASSEMBLY

### (1) Removal

※ Loosen the breather slowly to release the pressure inside the hydraulic tank.

**▲ Escaping fluid under pressure can penetrate the skin causing serious injury.**

① Remove bucket assembly.  
For details, see removal of bucket assembly.

② Disconnect bucket cylinder hose(1).

**▲ Fit blind plugs (5) in the piping at the chassis end securely to prevent oil from spurting out when the engine is started.**

③ Sling arm cylinder assembly, remove spring, pin stopper and pull out pin.

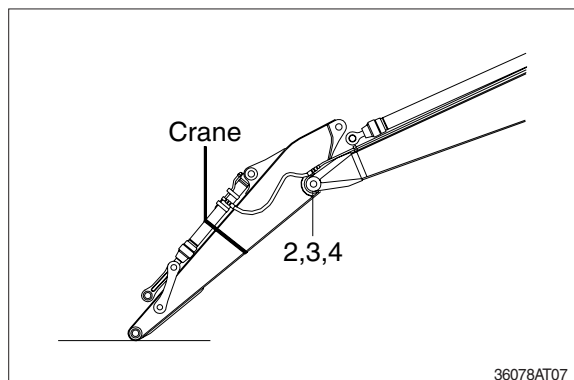
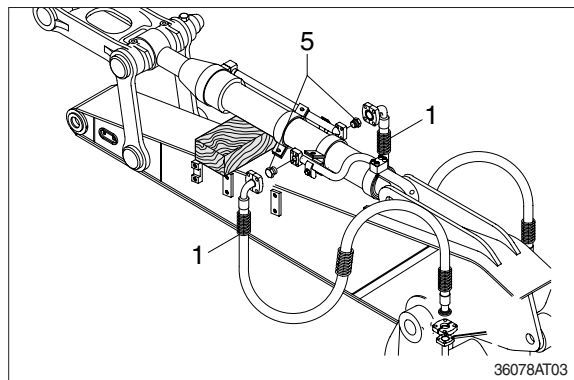
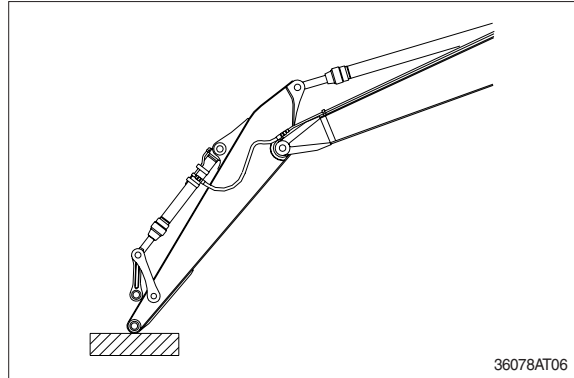
※ Tie the rod with wire to prevent it from coming out.

For details, see removal of arm cylinder assembly.

④ Place a wooden block under the cylinder and bring the cylinder down to it.

⑤ Remove bolt (2), plate (3) and pull out the pin (4) then remove the arm assembly.  
· Weight : 1243 kg(2740 lb)

※ When lifting the arm assembly, always lift the center of gravity.



### (2) Install

① Carry out installation in the reverse order to removal.

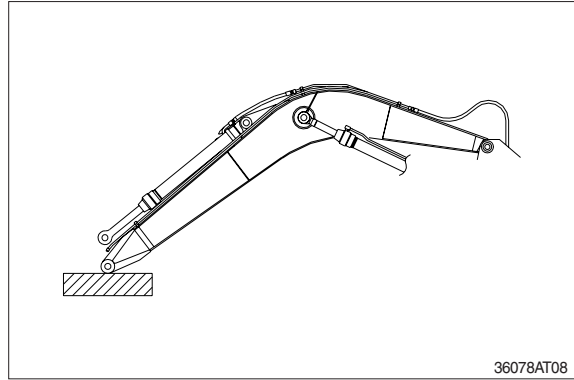
**▲ When lifting the arm assembly, always lift the center of gravity.**

※ Bleed the air from the cylinder.

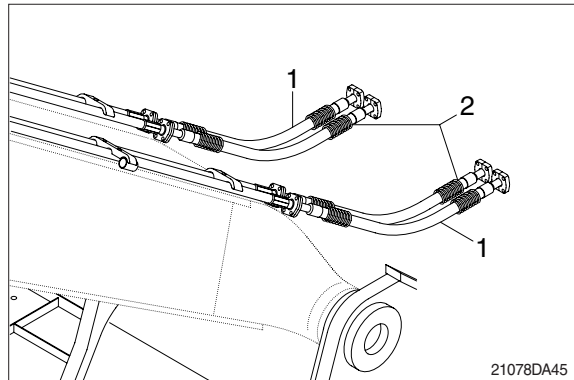
### 3) BOOM ASSEMBLY

#### (1) Removal

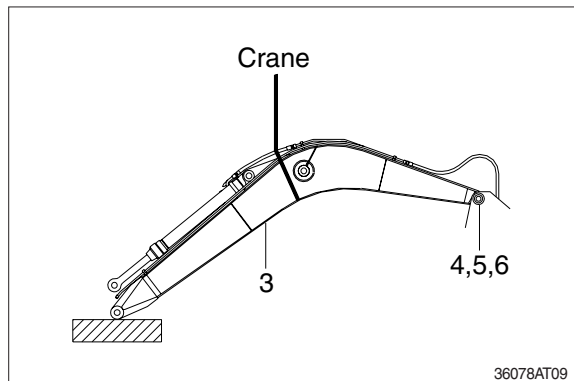
- ① Remove arm and bucket assembly.
- ② For details, see removal of arm and bucket assembly.  
Remove boom cylinder assembly from boom.  
For details, see removal of arm cylinder assembly.



- ③ Disconnect head lamp wiring.
  - ④ Disconnect bucket cylinder hoses (2) and arm cylinder hoses (1).
- ※ When the hoses are disconnected, oil may spurt out.
- ⑤ Sling boom assembly (3).



- ⑥ Remove bolt (4), plate (5) and pull out the pin (6) then remove boom assembly.  
· Weight : 2600 kg (5730 lb)
- ※ When lifting the boom assembly always lift the center of gravity.



#### (2) Install

- ① Carry out installation in the reverse order to removal.
- ▲ When lifting the arm assembly, always lift the center of gravity.**
- ※ Bleed the air from the cylinder.

