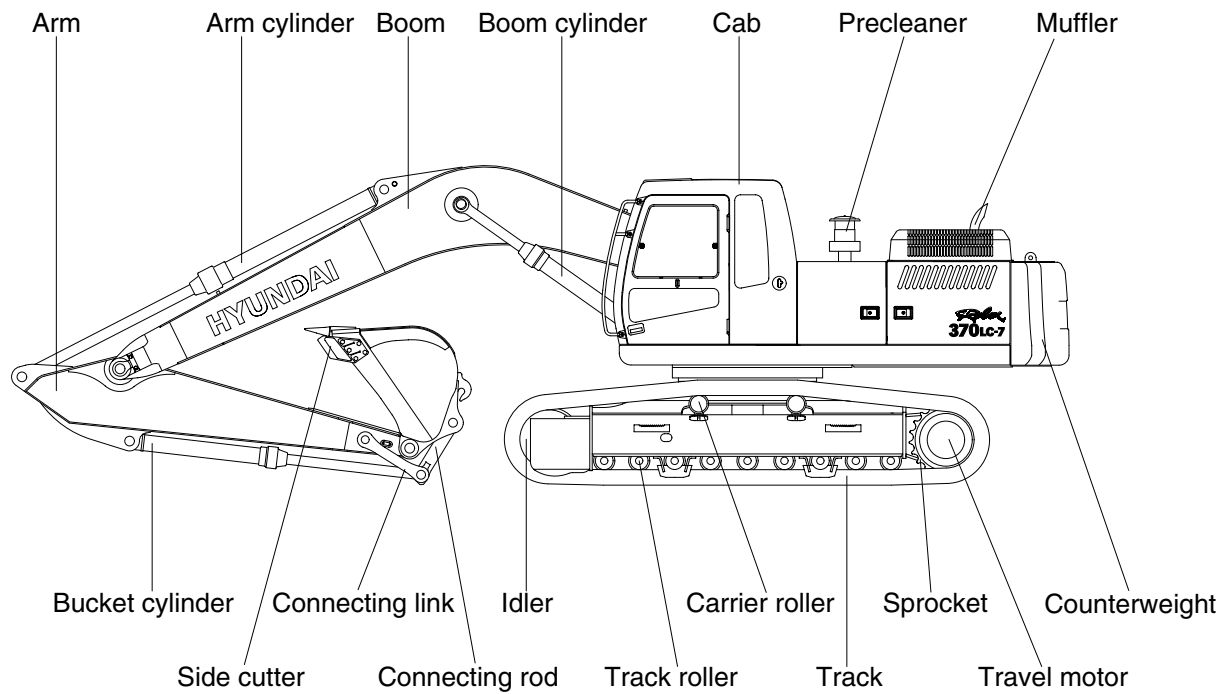
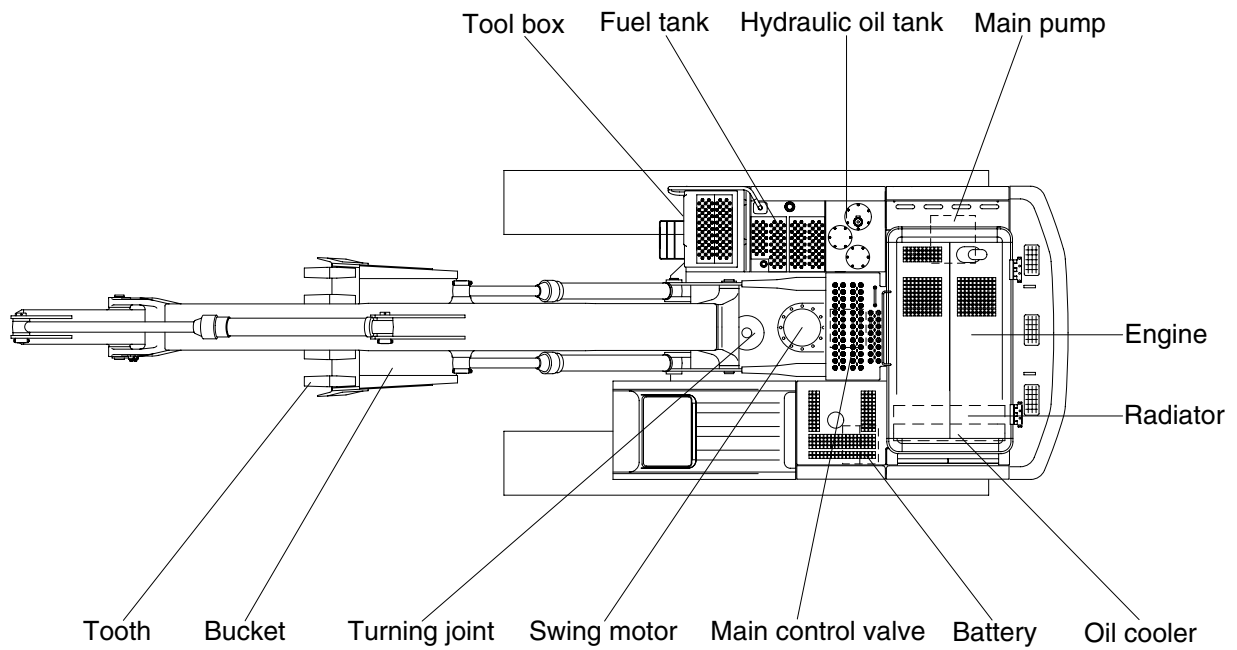


GROUP 2 SPECIFICATIONS

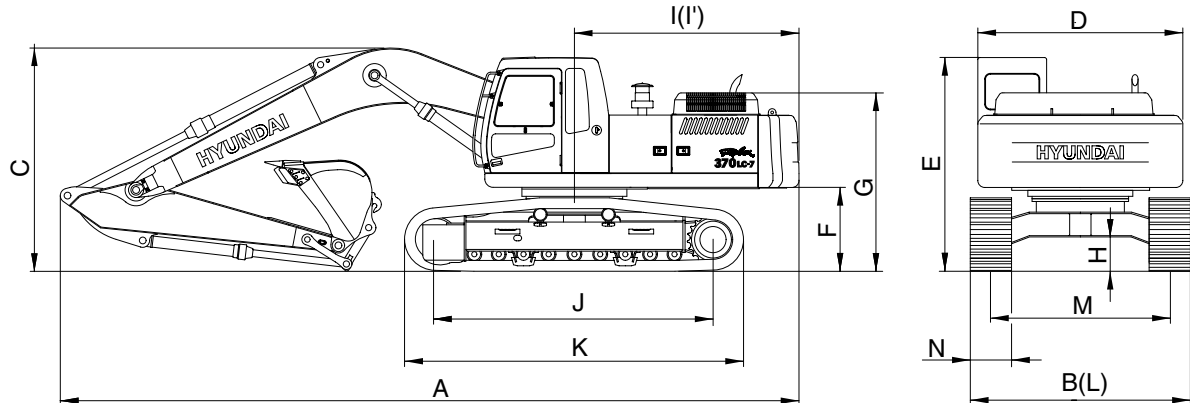
1. MAJOR COMPONENT



37072SP00

2. SPECIFICATIONS

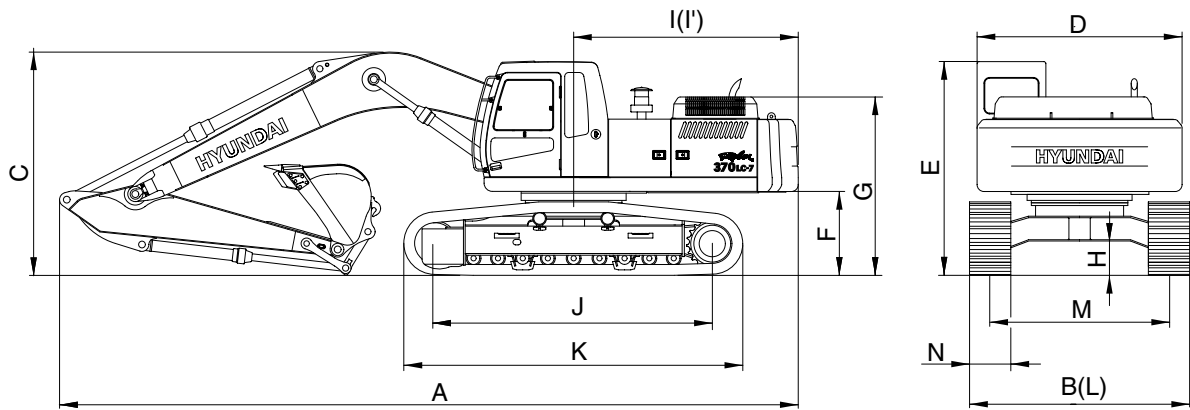
1) 6.5m(21' 4") BOOM, 2.50m(8' 2") ARM



37072SP01

Description		Unit	Specification
Operating weight		kg(lb)	36900(81350)
Bucket capacity(SAE heaped), rock bucket		m ³ (yd ³)	1.62(2.12)
Overall length	A	mm(ft-in)	11290(37' 0")
Overall width, with 600mm shoe	B		3340(10' 11")
Overall height	C		3700(12' 2")
Superstructure width	D		2980(9' 9")
Overall height of cab	E		3175(10' 5")
Ground clearance of counterweight	F		1290(4' 3")
Engine cover height	G		3190(10' 6")
Minimum ground clearance	H		550(1' 10")
Rear-end distance	I		3350(11' 1")
Rear-end swing radius	I'		3400(11' 2")
Distance between tumbler rollers	J		4340(14' 3")
Undercarriage length	K		5280(17' 4")
Undercarriage width	L		3340(11' 0")
Track gauge	M		2740(9' 0")
Track shoe width, standard	N		600(24")
Travel speed(Low/high)			km/hr(mph)
Swing speed		rpm	9.7
Gradeability		Degree(%)	35(70)
Ground pressure(600mm shoe)		kgf/cm ² (psi)	0.66(9.39)

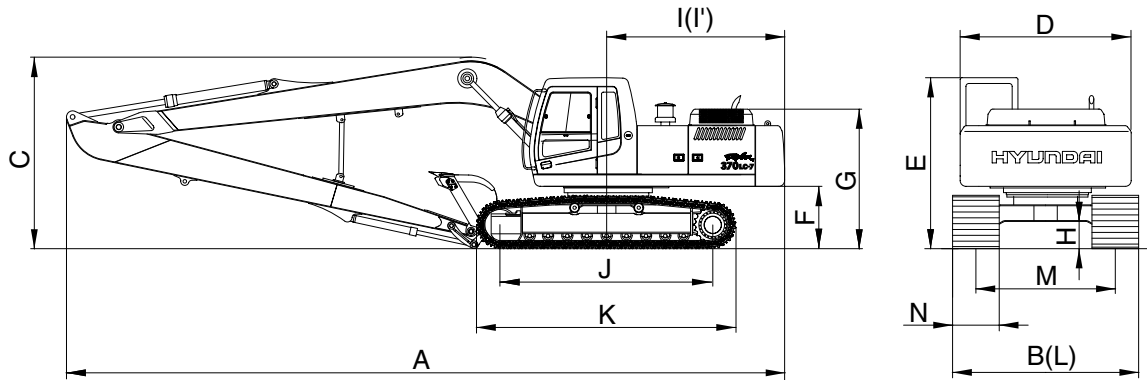
2) 6.15m(20' 2") BOOM, 2.50m(8' 2") ARM



37072SP01

Description		Unit	Specification
Operating weight		kg(lb)	36770(81060)
Bucket capacity(SAE heaped), rock bucket		m ³ (yd ³)	1.62(2.12)
Overall length	A	mm(ft-in)	10930(35' 10")
Overall width, with 600mm shoe	B		3340(10' 11")
Overall height	C		3830(12' 7")
Superstructure width	D		2980(9' 9")
Overall height of cab	E		3175(10' 5")
Ground clearance of counterweight	F		1290(4' 3")
Engine cover height	G		3190(10' 6")
Minimum ground clearance	H		550(1' 10")
Rear-end distance	I		3350(11' 1")
Rear-end swing radius	I'		3400(11' 2")
Distance between tumbler	J		4340(14' 3")
Undercarriage length	K		5280(17' 4")
Undercarriage width	L		3340(11' 0")
Track gauge	M		2740(9' 0")
Track shoe width, standard	N		600(24")
Travel speed(Low/high)			km/hr(mph)
Swing speed		rpm	9.7
Gradeability		Degree(%)	35(70)
Ground pressure(600mm shoe)		kgf/cm ² (psi)	0.66(9.38)

3) 8.6m(28' 3") BOOM, 5.1m(16' 9") ARM

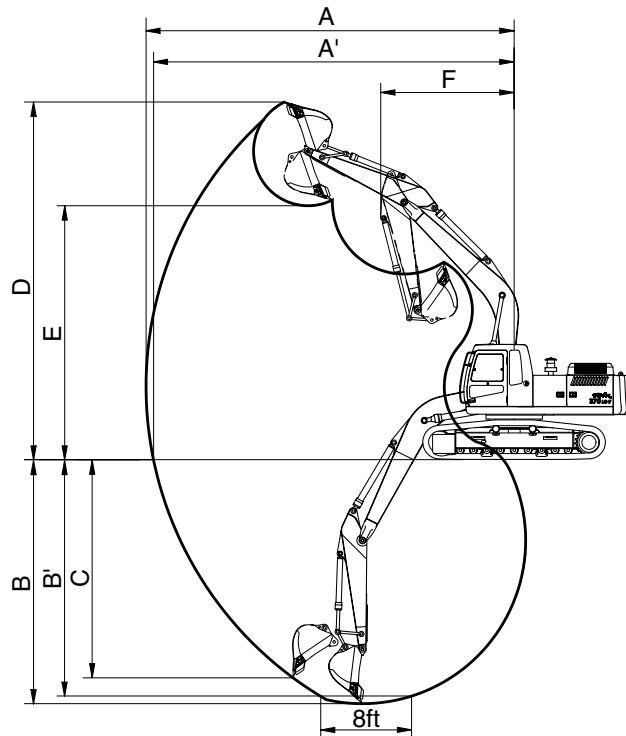


37072SP02

Description		Unit	Specification
Operating weight		kg(lb)	38020(83820)
Bucket capacity(SAE heaped)		m ³ (yd ³)	1.46(1.91)
Overall length	A	mm(ft-in)	13120(43' 0")
Overall width, with 600mm shoe	B		3340(10' 11")
Overall height	C		4830(15' 10")
Superstructure width	D		2980(9' 9")
Overall height of cab	E		3175(10' 5")
Ground clearance of counterweight	F		1290(4' 3")
Engine cover height	G		3190(10' 6")
Minimum ground clearance	H		550(1' 10")
Rear-end distance	I		3350(11' 1")
Rear-end swing radius	I'		3400(11' 2")
Distance between tumblers	J		4340(14' 3")
Undercarriage length	K		5280(17' 4")
Undercarriage width	L		3340(11' 0")
Track gauge	M		2740(9' 0")
Track shoe width, standard	N		600(24")
Travel speed(Low/high)			km/hr(mph)
Swing speed		rpm	9.7
Gradeability		Degree(%)	35(70)
Ground pressure(600mm shoe)		kgf/cm ² (psi)	0.68(9.67)

3. WORKING RANGE

1) 6.5m(21' 4") BOOM

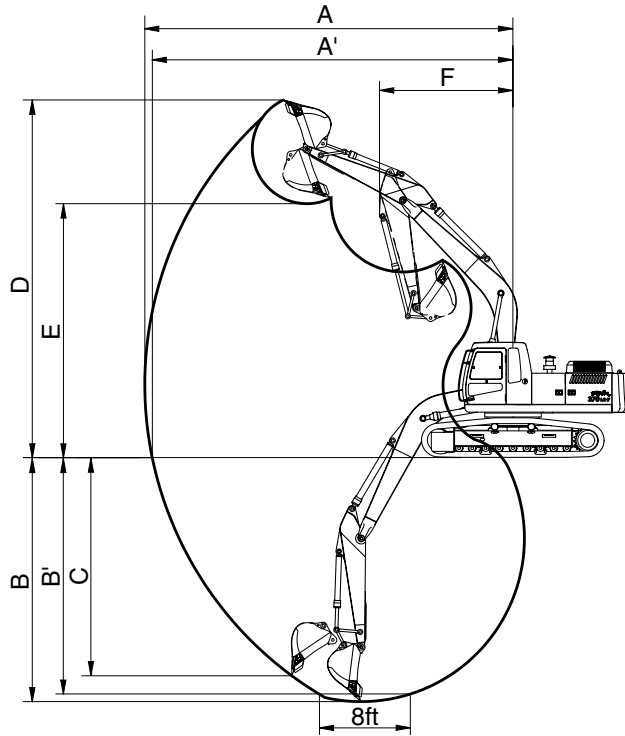


37072SP03

Description		*2.5m(8' 2") Arm	3.2m(10' 6") Arm	3.9m(12' 10") Arm	4.3m(14' 1") Arm
Max digging reach	A	10720mm(35' 2")	11250mm (36'11")	11870mm(38'11")	12380mm(40' 7")
Max digging reach on ground	A'	10490mm(34' 5")	11000mm (36' 1")	11670mm(38' 3")	12180mm(40' 0")
Max digging depth	B	6800mm(22' 4")	7500mm (24' 7")	8200mm(26'11")	8600mm(28' 3")
Max digging depth (8ft level)	B'	6620mm(21' 9")	7350mm (24' 1")	8070mm(26' 6")	8480mm(27'10")
Max vertical wall digging depth	C	5940mm(19' 6")	6340mm (20'10")	7040mm(23' 1")	7550mm(24' 9")
Max digging height	D	10470mm(34' 4")	10430mm (34' 3")	10650mm(34'11")	11210mm(36' 9")
Max dumping height	E	7270mm(23'10")	7290mm (23'11")	7510mm(24' 8")	8030mm(26' 4")
Min swing radius	F	4630mm(15' 2")	4560mm (15' 0")	4550mm(14'11")	4570mm(15' 0")
Bucket digging force	SAE	*201.0[219.3]kN	201.0[219.3]kN	201.0[219.3]kN	201.0[219.3]kN
		20500[22360]kgf	20500[22360]kgf	20500[22360]kgf	20500[22360]kgf
		45190[49300]lbf	45190[49300]lbf	45190[49300]lbf	45190[49300]lbf
	ISO	228.5[249.3]kN	228.5[249.3]kN	228.5[249.3]kN	228.5[249.3]kN
		23300[25420]kgf	23300[25420]kgf	23300[25420]kgf	23300[25420]kgf
		51370[56040]lbf	51370[56040]lbf	51370[56040]lbf	51370[56040]lbf
Arm crowd force	SAE	184.4[201.1]kN	152.0[165.8]kN	135.3[147.6]kN	124.5[135.9]kN
		18800[20510]kgf	15500[16910]kgf	13800[15050]kgf	12700[13850]kgf
		41450[45220]lbf	34170[37280]lbf	30420[33190]lbf	28000[30550]lbf
	ISO	192.2[209.7]kN	156.9[171.2]kN	139.3[151.9]kN	128.5[140.1]kN
		19600[21380]kgf	16000[17450]kgf	14200[15490]kgf	13100[14290]kgf
		43210[47140]lbf	35270[38480]lbf	31310[34160]lbf	28880[31510]lbf

* : STD [] : Power boost

· 6.15m(20' 2") BOOM

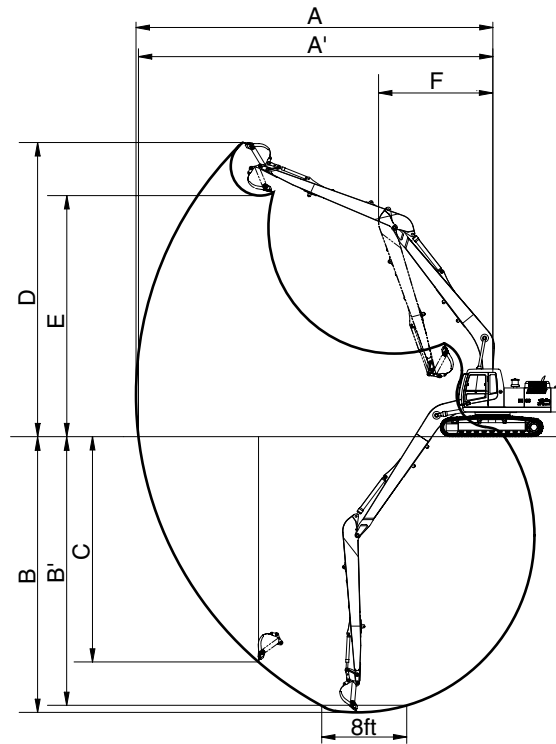


37072SP03

Description		2.5m(8' 2") Arm
Max digging reach	A	10330mm(33'11")
Max digging reach on ground	A'	10100mm(33' 2")
Max digging depth	B	6440mm(21' 2")
Max digging depth (8ft level)	B'	6260mm(20' 6")
Max vertical wall digging depth	C	5500mm(18' 1")
Max digging height	D	10200mm(33' 6")
Max dumping height	E	7020mm(23' 0")
Min swing radius	F	4320mm(14' 2")
Bucket digging force	SAE	201.0[219.3] kN
		20500[22360] kgf
		45190[49300] lbf
	ISO	228.5[249.3] kN
		23300[25420] kgf
		51370[56040] lbf
Arm crowd force	SAE	184.4[201.1] kN
		18800[20510] kgf
		41450[45220] lbf
	ISO	192.2[209.7] kN
		19600[21380] kgf
		43210[47140] lbf

[] : Power boost

• 8.6m(28' 3") BOOM



37072SP04

Description		5.1m(16' 9") Arm	
Max digging reach	A	15300mm(50' 2")	
Max digging reach on ground	A'	15120mm(49' 7")	
Max digging depth	B	11210mm(36' 9")	
Max digging depth (8ft level)	B'	11100mm(36' 5")	
Max vertical wall digging depth	C	10070mm(33' 0")	
Max digging height	D	13160mm(43' 2")	
Max dumping height	E	9990mm(32' 9")	
Min swing radius	F	6040mm(19'10")	
Bucket digging force	SAE	201.0[220.4] kN	
		20500[22470] kgf	
		45190[49550] lbf	
	ISO	228.5[250.3] kN	
		23300[25530] kgf	
		51370[56280] lbf	
Arm crowd force	SAE	109.8[119.8] kN	
		11200[12220] kgf	
		24690[26930] lbf	
	ISO	112.8[123.0] kN	
		11500[12550] kgf	
		25350[27650] lbf	

[] : Power boost


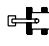

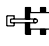

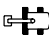




4. WEIGHT

Item	R370LC-7	
	kg	lb
Upperstructure assembly	11620	25620
Main frame weld assembly	2810	6200
Engine assembly	720	1590
Main pump assembly	190	420
Main control valve assembly	250	550
Swing motor assembly	360	790
Hydraulic oil tank assembly	230	510
Fuel tank assembly	240	530
Counterweight	6500	14330
Cab assembly	310	680
Lower chassis assembly	5270	11620
Track frame weld assembly	14140	31170
Swing bearing	560	1230
Travel motor assembly	410	900
Turning joint	50	110
Track recoil spring and idler	420	930
Idler	180	400
Carrier roller	40	90
Track roller	80	180
Track-chain assembly(600mm standard triple grouser shoe)	2360	5200
Front attachment assembly(6.5m boom, 2.5m arm, 1.62m ³ SAE heaped rock bucket)	8000	17640
Front attachment assembly(6.15m boom, 2.5m arm, 1.62m ³ SAE heaped rock bucket)	7900	17420
Front attachment assembly(8.6m boom, 5.1m arm, 1.46m ³ SAE heaped bucket)	8820	19440
6.5m boom assembly	3020	6660
6.15m boom assembly	2920	6440
8.6m boom assembly	3750	8270
2.5m arm assembly	1253	2760
3.2m arm assembly	1280	2820
5.1m arm assembly	1780	3920
1.62m ³ SAE heaped rock bucket	1610	3550
1.46m ³ SAE heaped bucket	1280	2820
Boom cylinder assembly	340	750
Arm cylinder assembly	460	1010
Bucket cylinder assembly	290	640
Bucket control linkage assembly	350	770

5. LIFTING CAPACITIES











1) 6.5m(21' 4") boom, 2.50m(8' 2") arm equipped with 1.62m³(SAE heaped) rock bucket and 600mm (24") triple grouser shoe with 6500kg(14,330lb) counterweight.

-  : Rating over-front
-  : Rating over-side or 360 degree




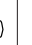
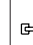





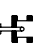



Load point height		Load radius								At max. reach		
		3.0m(10ft)		4.5m(15ft)		6.0m(20ft)		7.5m(25ft)		Capacity		Reach
												m(ft)
9.0m (30ft)	kg lb									*6590 *14530	*6590 *14530	7.22 (23.7)
7.5m (25ft)	kg lb									*6570 *14480	4930 10870	8.49 (27.9)
6.0m (20ft)	kg lb					*7760 *17110	*7760 *17110	*7290 *16070	6120 13490	*6670 *14700	3970 8750	9.29 (30.5)
4.5m (15ft)	kg lb			*11680 *25750	*11680 *25750	*9110 *20080	8740 19270	*7890 *17390	5870 12940	6290 13870	3460 7630	9.77 (32.1)
3.0m (10ft)	kg lb			*15080 *33250	12670 27930	*10730 *23660	8070 17790	*8730 *19250	5540 12210	5940 13100	3210 7080	9.97 (32.7)
1.5m (5ft)	kg lb			*17430 *38430	11690 25770	*12150 *26790	7510 16560	9500 20940	5230 11530	5920 13050	3170 6990	9.91 (32.5)
Ground Line	kg lb			*18220 *40170	11340 25000	*13010 *28680	7180 15830	9260 20410	5020 11070	6230 13730	3340 7360	9.59 (31.5)
-1.5m (-5ft)	kg lb	*18040 *39770	*18040 *39770	*17930 *39530	11320 24960	*13160 *29010	7060 15560	9180 20240	4950 10910	7000 15430	3810 8400	8.97 (29.4)
-3.0m (-10ft)	kg lb	*23180 *51100	*23180 *51100	*16700 *36820	11530 25420	*12460 *27470	7160 15790			*7820 *17240	4810 10600	7.97 (26.1)
-4.5m (-15ft)	kg lb	*19160 *42240	*19160 *42240	*14050 *30970	11990 26430					*7160 *15790	*7160 *15790	6.39 (21.0)

- Note
1. Lifting capacity are based on SAE J1097 and ISO 10567.
 2. Lifting capacity of the ROBEX series does not exceed 75% of tipping load with the machine on firm, level ground or 87% of full hydraulic capacity.
 3. The load point is a hook located on the back of the bucket.
 4. *indicates load limited by hydraulic capacity.




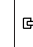


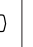






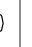
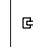

2) 6.15m(20' 2") boom, 2.50m(8' 2") arm equipped with 1.62m³(SAE heaped) rock bucket and 600mm (24") triple grouser shoe with 6500kg(14,330lb) counterweight.

Load point height		Load radius								At max. reach				
		3.0m(10ft)		4.5m(15ft)		6.0m(20ft)		7.5m(25ft)		Capacity		Reach		
												m(ft)		
9.0m (30ft)	kg lb											*7340 *16180	*7340 *16180	6.65 (21.8)
7.5m (25ft)	kg lb											*7210 *15900	5710 12590	8.02 (26.3)
6.0m (20ft)	kg lb					*8380 *18470	*8380 *18470	*6310 6280	6280 13850			*7270 *16030	4540 10010	8.88 (29.1)
4.5m (15ft)	kg lb	*18070 *39840	*18070 *39840	*11970 *26390	*11970 *26390	*9600 *21160	9110 20080	*8450 *18630	6090 13430			6940 15300	3920 8640	9.38 (30.8)
3.0m (10ft)	kg lb			*15250 *33620	13440 29630	*11160 *24600	8460 18650	*9210 *20300	5780 12740			6530 14400	3620 7980	9.58 (31.4)
1.5m (5ft)	kg lb			*17690 *39000	12340 27210	*12540 *27650	7890 17390	9760 21520	5470 12060			6490 14310	3560 7850	9.52 (31.2)
Ground Line	kg lb	*13610 *30000	*13610 *30000	*18590 *40980	11820 26060	*13360 *29450	7500 16530	9500 20940	5250 11570			6830 15060	3750 8270	9.19 (30.2)
-1.5m (-5ft)	kg lb	*21240 *46830	*21240 *46830	*18250 *40230	11690 25770	*13390 *29520	7340 16180	9400 20720	5150 11350			7730 17040	4280 9440	8.53 (28.0)
-3.0m (-10ft)	kg lb	*23300 *51370	*23300 *51370	*16710 *36840	11810 26040	*12360 *27250	7390 16290					*8170 *18010	5470 12060	7.47 (24.5)
-4.5m (-15ft)	kg lb	*18240 *40210	*18240 *40210	*13280 *29280	12250 27010									











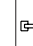

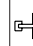


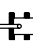
3) 6.5m(21' 4") boom, 3.2m(10' 6") arm equipped with 1.62m³(SAE heaped) rock bucket and 600mm (24") triple grouser shoe with 6500kg(14,330lb) counterweight.

Load point height		Load radius										At max. reach				
		1.5m(5ft)		3.0m(10ft)		4.5m(15ft)		6.0m(20ft)		7.5m(25ft)		9.0m(30ft)		Capacity		Reach
																m(ft)
9.0m (30ft)	kg lb													*5710 *12590	*5710 *12590	7.97 (26.1)
7.5m (25ft)	kg lb								*4340 *9570	*4340 *9570				*5800 *12790	4380 9660	9.12 (29.9)
6.0m (20ft)	kg lb								*6420 *14150	6340 13980				*5840 *12870	3590 7910	9.87 (32.4)
4.5m (15ft)	kg lb						*8060 *17770	*8060 *17770	*7130 *15720	6050 13340	*4240 *9350	4190 9240	5760 12700	3150 6940	10.32 (33.9)	
3.0m (10ft)	kg lb				*13380 *29500	13370 29480	*9800 *21610	8350 18410	*8080 *17810	5680 12520	*6150 *13560	4010 8840	5450 12020	2920 6440	10.50 (34.4)	
1.5m (5ft)	kg lb				*16320 *35980	12140 26760	*11450 *25240	7710 17000	*9030 *19910	5330 11750	7010 15450	3820 8420	5410 11930	2860 6310	10.45 (34.3)	
Ground Line	kg lb			*13320 *29370	*13320 *29370	*17870 *39400	11500 25350	*12620 *27820	7270 16030	9310 20530	5060 11160	6850 15100	3680 8110	5630 12410	2980 6570	10.14 (33.3)
-1.5m (-5ft)	kg lb	*13940 *30730	*13940 *30730	*17750 *39130	*17750 *39130	*18210 *40150	11300 24910	*13140 *28970	7060 15560	9140 20150	4910 10820		6220 13710	3330 7340	9.57 (31.4)	
-3.0m (-10ft)	kg lb	*18110 *39930	*18110 *39930	*23040 *50790	*23040 *50790	*17530 *38650	11370 25070	*12900 *28440	7040 15520	9150 20170	4920 10850		7450 16420	4060 8950	8.65 (28.4)	
-4.5m (-15ft)	kg lb	*22840 *50350	*22840 *50350	*22240 *49030	*22240 *49030	*15670 *34550	11680 25750	*11560 *25490	7250 15980				*7700 *16980	5720 12610	7.25 (23.8)	
-6.0m (-20ft)	kg lb				*11590 *25550	*11590 *25550										

4) 6.5m(21' 4") boom, 3.9m(12' 10") arm equipped with 1.62m³(SAE heaped) rock bucket and 600mm (24") triple grouser shoe with 6500kg(14,330lb) counterweight.

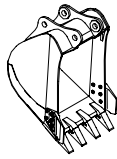
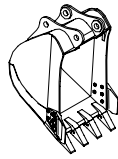
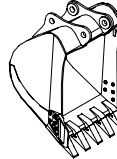
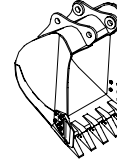

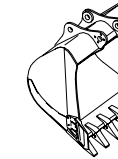
Load point height		Load radius												At max. reach						
		1.5m(5ft)		3.0m(10ft)		4.5m(15ft)		6.0m(20ft)		7.5m(25ft)		9.0m(30ft)		Capacity		Reach				
																		m(ft)		
9.0m (30ft)	kg lb																	*4980 *10980	4870 10740	8.81 (28.9)
7.5m (25ft)	kg lb																	*5110 *11270	3740 8250	9.85 (32.3)
6.0m (20ft)	kg lb									*5600 *12350	*5600 *12350	*3400 *7500	*3400 *7500	*5290 *11660	3100 6830	10.54 (34.6)				
4.5m (15ft)	kg lb									*6360 *14020	6090 13430	*5190 *11440	4190 9240	5120 11290	2720 6000	10.95 (35.9)				
3.0m (10ft)	kg lb			*19560 *43120	*19560 *43120	*11730 *25860	*11730 *25860	*8810 *19420	8440 18610	*7360 *16230	5680 12520	*6560 *14460	3970 8750	4850 10690	2510 5530	11.13 (36.5)				
1.5m (5ft)	kg lb			*12930 *28510	*12930 *28510	*15000 *33070	12300 27120	*10600 *23370	7720 17020	*8410 *18540	5280 11640	6940 15300	3750 8270	4800 10580	2450 5400	11.07 (36.3)				
Ground Line	kg lb			*13940 *30730	*13940 *30730	*17080 *37650	11450 25240	*11990 *26430	7190 15850	9210 20300	4960 10930	6730 14840	3560 7850	4970 10960	2530 5580	10.79 (35.4)				
-1.5m (-5ft)	kg lb	*12850 *28330	*12850 *28330	*17090 *37680	*17090 *37680	*17910 *39480	11080 24430	*12770 *28150	6890 15190	8980 19800	4750 10470	6610 14570	3450 7610	5410 11930	2790 6150	10.26 (33.7)				
-3.0m (-10ft)	kg lb	*16470 *36310	*16470 *36310	*21310 *46980	*21310 *46980	*17690 *39000	11040 24340	*12850 *28330	6800 14990	8910 19640	4690 10340			6300 13890	3330 7340	9.42 (30.9)				
-4.5m (-15ft)	kg lb	*20540 *45280	*20540 *45280	*23880 *52650	*23880 *52650	*16360 *36070	11250 24800	*12010 *26480	6910 15230	*8960 *19750	4820 10630			*7330 *16160	4450 9810	8.17 (26.8)				
-6.0m (-20ft)	kg lb			*19110 *42130	*19110 *42130	*13360 *29450	11750 25900													

5) 6.5m(21' 4") boom, 4.3m(14' 1") arm equipped with 1.62m³(SAE heaped) rock bucket and 600mm (24") triple grouser shoe with 6500kg(14,330lb) counterweight.

Load point height		Load radius												At max. reach						
		1.5m(5ft)		3.0m(10ft)		4.5m(15ft)		6.0m(20ft)		7.5m(25ft)		9.0m(30ft)		10.5m(35ft)		Capacity		Reach		
																		m(ft)		
9.0m (30ft)	kg lb																	*4740 *10450	4150 9150	9.45 (31.0)
7.5m (25ft)	kg lb											*2470 *5450	*2470 *5450					*4510 *9940	3250 7170	10.42 (34.2)
6.0m (20ft)	kg lb											*4190 *9240	*4190 *9240					*4410 *9720	2710 5970	11.07 (36.3)
4.5m (15ft)	kg lb									*5820 *12830	*5820 *12830	*5350 *11790	4240 9350					*4430 *9770	2390 5270	11.46 (37.6)
3.0m (10ft)	kg lb			*16680 *36770	*16680 *36770	*10540 *23240	*10540 *23240	*8110 *17880	*8110 *17880	*6860 *15120	5750 12680	*6160 *13580	4000 8820	*2400 *5290	*2400 *5290	4410 9720	2210 4870	11.63 (38.2)		
1.5m (5ft)	kg lb			*13950 *30750	*13950 *30750	*14020 *30910	12570 27710	*9990 *22020	7830 17260	*7970 *17570	5320 11730	*6820 *15040	3750 8270	*2720 *6000	2670 5890	4370 9630	2160 4760	11.58 (38.0)		
Ground Line	kg lb			*13310 *29340	*13310 *29340	*16450 *36270	11550 25460	*11530 *25420	7230 15940	*8940 *19710	4960 10930	6710 14790	3530 7780			4510 9940	2230 4920	11.31 (37.1)		
-1.5m (-5ft)	kg lb	*11350 *25020	*11350 *25020	*15700 *34610	*15700 *34610	*17640 *38890	11050 24360	*12500 *27560	6860 15120	8950 19730	4710 10380	6560 14460	3390 7470			4880 10760	2450 5400	10.81 (35.5)		
-3.0m (-10ft)	kg lb	*14650 *32300	*14650 *32300	*19340 *42640	*19340 *42640	*17750 *39130	10920 24070	*12800 *28220	6710 14790	8830 19470	4610 10160	*6390 *14090	3360 7410			5600 12350	2890 6370	10.02 (32.9)		
-4.5m (-15ft)	kg lb	*18450 *40680	*18450 *40680	*24320 *53620	24030 52980	*16800 *37040	11050 24360	*12270 *27050	6760 14900	8890 19600	4670 10300					*6660 *14680	3760 8290	8.87 (29.1)		
-6.0m (-20ft)	kg lb	*23110 *50950	*23110 *50950	*20900 *46080	*20900 *46080	*14410 *31770	11460 25260	*10410 *22950	7060 15560							*6530 *14400	5790 12760	7.15 (23.5)		

6. BUCKET SELECTION GUIDE

1) GENERAL BUCKET

					
1.15m ³ SAE heaped bucket	1.46m ³ SAE heaped bucket	1.62m ³ SAE heaped bucket	1.86m ³ SAE heaped bucket	2.10m ³ SAE heaped bucket	2.32m ³ SAE heaped bucket

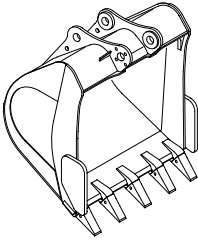
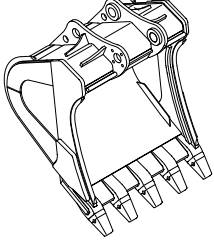
Capacity		Width		Weight	6.5m (21' 4") boom				6.15m(20'2") boom	8.6m(28' 3") boom
SAE heaped	CECE heaped	Without side cutter	With side cutter		2.5m arm (8' 2")	3.2m arm (10' 6")	3.9m arm (12' 10")	4.3m arm (14' 1")	2.5m arm (8' 2")	5.1m arm (16' 9")
1.15m ³ (1.5yd ³)	1.0m ³ (1.3yd ³)	1090mm (42.9")	1220mm (48.0")	1030kg (2270lb)						
1.46m ³ (1.91yd ³)	1.27m ³ (1.66yd ³)	1380mm (54.3")	1510mm (59.4")	1170kg (2580lb)						
1.62m ³ (2.12yd ³)	1.40m ³ (1.8yd ³)	1440mm (56.7")	1570mm (61.8")	1280kg (2820lb)						
1.86m ³ (2.43yd ³)	1.60m ³ (2.1yd ³)	1620mm (63.8")	1750mm (68.9")	1390kg (3060lb)						
2.10m ³ (2.75yd ³)	1.80m ³ (2.4yd ³)	1810mm (71.3")	1940mm (76.4")	1520kg (3350lb)						
2.32m ³ (3.03yd ³)	2.0m ³ (2.6yd ³)	1990mm (78.3")	2120mm (83.5")	1760kg (3880lb)						

 Applicable for materials with density of 2000kg/m³ (3370lb/yd³) or less

 Applicable for materials with density of 1600kg/m³ (2700lb/yd³) or less

 Applicable for materials with density of 1100kg/m³ (1850lb/yd³) or less

2) ROCK AND HEAVY DUTY BUCKET

	
<p>◆ 1.62m³ SAE heaped bucket</p>	<p>◎ 1.44m³ SAE ※ ◎ 1.62m³ SAE ◎ 1.86m³ SAE heaped bucket</p>

Capacity		Width		Weight	Recommendation				6.15m (20' 2") boom
					6.5m (21' 4") boom				
SAE heaped	CECE heaped	Without side cutter	With side cutter		2.5m arm (8' 2")	3.2m arm (10' 6")	3.9m arm (12' 10")	4.3m arm (14' 1")	2.5m arm (8' 2")
◆ 1.62m ³ (2.12yd ³)	1.40m ³ (1.8yd ³)	1540mm (60.6")	-	1570kg (3460lb)					
◎ 1.44m ³ (1.88yd ³)	1.27m ³ (1.66yd ³)	1280mm (50.4")	-	1565kg (3450lb)					
※ ◎ 1.62m ³ (2.12yd ³)	1.40m ³ (1.8yd ³)	1545mm (60.8")	-	1610kg (3550lb)					
◎ 1.86m ³ (2.43yd ³)	1.60m ³ (2.1yd ³)	1725mm (67.9")	-	1710kg (3770lb)					

※ : Standard bucket

◆ : Heavy duty bucket

◎ : Rock bucket

Applicable for materials with density of 2000kgf/m³ (3370lbf/yd³) or less

Applicable for materials with density of 1600kgf/m³ (2700lbf/yd³) or less

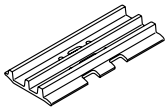
Applicable for materials with density of 1100kgf/m³ (1850lbf/yd³) or less

7. UNDERCARRIAGE

1) TRACKS

X-leg type center frame is integrally welded with reinforced box-section track frames. The design includes dry tracks, lubricated rollers, idlers, sprockets, hydraulic track adjusters with shock absorbing springs and assembled track-type tractor shoes with triple grousers.

2) TYPES OF SHOES

Model	Shapes		Triple grouser				
							
R370LC-7	Shoe width	mm(in)	600(24)	700(28)	750(30)	800(32)	900(36)
	Operating weight	kg(lb)	36900(81350)	37200(82010)	37425(82510)	37650(83000)	38100(84000)
	Ground pressure	kgf/cm ² (psi)	0.66(9.39)	0.57(8.11)	0.54(7.68)	0.50(7.11)	0.45(6.40)
	Overall width	mm(ft-in)	3340(10' 11")	3440(11' 3")	3490(11' 5")	3540(11' 7")	3640(11' 11")

3) NUMBER OF ROLLERS AND SHOES ON EACH SIDE

Item	Quantity
Carrier rollers	2EA
Track rollers	9EA
Track shoes	51EA

4) SELECTION OF TRACK SHOE

Suitable track shoes should be selected according to operating conditions.

Method of selecting shoes

Confirm the category from the list of applications in **table 2**, then use **table 1** to select the shoe. Wide shoes(Categories B and C) have limitations on applications. Before using wide shoes, check the precautions, then investigate and study the operating conditions to confirm if these shoes are suitable.

Select the narrowest shoe possible to meet the required flotation and ground pressure. Application of wider shoes than recommendations will cause unexpected problem such as bending of shoes, crack of link, breakage of pin, loosening of shoe bolts and the other various problems.

※ **Table 1**

Track shoe	Specification	Category
600mm triple grouser	Standard	A
700mm triple grouser	Option	B
750mm triple grouser	Option	B
800mm triple grouser	Option	C
900mm triple grouser	Option	C

※ **Table 2**

Category	Applications	Precautions
A	Rocky ground, river beds, normal soil	<ul style="list-style-type: none"> • Travel at low speed on rough ground with large obstacles such as boulders or fallen trees
B	Normal soil, soft ground	<ul style="list-style-type: none"> • These shoes cannot be used on rough ground with large obstacles such as boulders or fallen trees • Travel at high speed only on flat ground • Travel slowly at low speed if it is impossible to avoid going over obstacles
C	Extremely soft ground (Swampy ground)	<ul style="list-style-type: none"> • Use the shoes only in the conditions that the machine sinks and it is impossible to use the shoes of category A or B • These shoes cannot be used on rough ground with large obstacles such as boulders or fallen trees • Travel at high speed only on flat ground • Travel slowly at low speed if it is impossible to avoid going over obstacles

8. SPECIFICATIONS FOR MAJOR COMPONENTS

1) ENGINE

Item	Specification
Model	HYUNDAI D6AC-C
Type	4-cycle turbocharged charger air cooled diesel engine
Cooling method	Water cooling
Number of cylinders and arrangement	6 cylinders, in-line
Firing order	1-5-3-6-2-4
Combustion chamber type	Direct injection type
Cylinder bore × stroke	130 × 140mm(5.12" × 5.51")
Piston displacement	11149cc(680cu in)
Compression ratio	17 : 1
Rated gross horse power(SAE J1995)	276Hp at 1900rpm(206kW at 1900rpm)
Maximum torque	120kgf · m(868lbf · ft) at 1400rpm
Engine oil quantity	27.3 l (7.2U.S. gal)
Dry weight	920kg(2028lb)
Low idling speed	800 ± 50rpm
High idling speed	2050 + 50rpm
Rated fuel consumption	157g/Hp · hr at 1900rpm
Starting motor	MANDO VALEO 24V-5.5kW
Alternator	MANDO VALEO 24V-70A
Battery	2 × 12V × 160Ah

2) MAIN PUMP

Item	Specification
Type	Variable displacement tandem axis piston pumps
Capacity	2 × 168.5cc/rev
Maximum pressure	330kgf/cm ² (4690psi)[360kgf/cm ² (5120psi)]
Rated oil flow	2 × 286 l /min (75.5U.S. gpm/ 62.9U.K. gpm)
Rated speed	1700rpm

[]: Power boost

3) GEAR PUMP

Item	Specification
Type	Fixed displacement gear pump single stage
Capacity	15cc/rev
Maximum pressure	35kgf/cm ² (500psi)
Rated oil flow	25.5 l /min(6.7U.S. gpm/5.6U.K. gpm)

4) MAIN CONTROL VALVE

Item	Specification
Type	7 spools
Operating method	Hydraulic pilot system
Main relief valve pressure	330kgf/cm ² (4690psi)[360kgf/cm ² (5120psi)]
Overload relief valve pressure	390kgf/cm ² (5550psi)

[]: Power boost

5) SWING MOTOR

Item	Specification
Type	Axial piston motor
Capacity	250cc/rev
Relief pressure	260kgf/cm ² (3700psi)
Braking system	Automatic, spring applied hydraulic released
Braking torque	107kgf · m(773lbf · ft)
Brake release pressure	30~50kgf/cm ² (427~711psi)
Reduction gear type	2 - stage planetary

6) TRAVEL MOTOR

Item	Specification
Type	Variable displacement axial piston motor
Relief pressure	360kgf/cm ² (5120psi)
Capacity(max / min)	114.2/185.2cc/rev
Reduction gear type	3-stage planetary
Braking system	Automatic, spring applied hydraulic released
Brake release pressure	8.5kgf/cm ² (121psi)
Braking torque	44.4kgf · m(321lbf · ft)

7) REMOTE CONTROL VALVE

Item		Specification
Type		Pressure reducing type
Operating pressure	Minimum	6.5kgf/cm ² (92psi)
	Maximum	26kgf/cm ² (370psi)
Single operation stroke	Lever	61mm(2.4in)
	Pedal	123mm(4.84in)

8) CYLINDER

Item		Specification
Boom cylinder	Bore dia × Rod dia × Stroke	∅ 160 × ∅ 110 × 1500mm
	Cushion	Extend only
Arm cylinder	Bore dia × Rod dia × Stroke	∅ 170 × ∅ 120 × 1760mm
	Cushion	Extend and retract
Bucket cylinder	Bore dia × Rod dia × Stroke	∅ 150 × ∅ 105 × 1295mm
	Cushion	Extend only

※ Discoloration of cylinder rod can occur when the friction reduction additive of lubrication oil spreads on the rod surface.

※ Discoloration does not cause any harmful effect on the cylinder performance.

9) SHOE

Item		Width	Ground pressure	Link quantity	Overall width
R370LC-7	Standard	600mm(24")	0.66kgf/cm ² (9.39psi)	51	3340mm(10' 11")
	Option	700mm(28")	0.57kgf/cm ² (8.11psi)	51	3440mm(11' 3")
		750mm(30")	0.54kgf/cm ² (7.68psi)	51	3490mm(11' 5")
		800mm(32")	0.50kgf/cm ² (7.11psi)	51	3540mm(11' 7")
		900mm(36")	0.45kgf/cm ² (6.40psi)	51	3640mm(11' 11")

10) BUCKET

Item		Capacity		Tooth quantity	Width	
		SAE heaped	CECE heaped		Without side cutter	With side cutter
R370LC-7	Standard	⊙1.62m ³ (2.12yd ³)	1.40m ³ (1.8yd ³)	5	1545mm(60.8")	-
	Option	1.15m ³ (1.50yd ³)	1.0m ³ (1.3yd ³)	4	1090mm(42.9")	1220mm(48.0")
		1.46m ³ (1.91yd ³)	1.27m ³ (1.66yd ³)	4	1380mm(54.3")	1510mm(59.4")
		1.62m ³ (2.12yd ³)	1.40m ³ (1.8yd ³)	5	1440mm(56.7")	1570mm(61.8")
		◆1.62m ³ (2.12yd ³)	1.40m ³ (1.8yd ³)	5	1540mm(60.6")	-
		⊙1.44m ³ (1.88yd ³)	1.27m ³ (1.66yd ³)	5	1280mm(50.4")	-
		⊙1.86m ³ (2.43yd ³)	1.60m ³ (2.1yd ³)	5	1725mm(67.9")	-
		1.86m ³ (2.43yd ³)	1.60m ³ (2.1yd ³)	5	1620mm(63.8")	1750mm(68.9")
		2.10m ³ (2.75yd ³)	1.80m ³ (2.4yd ³)	6	1810mm(71.3")	1940mm(76.4")
		2.32m ³ (3.03yd ³)	2.0m ³ (2.6yd ³)	6	1990mm(78.3")	2120mm(83.5")

◆ : Heavy duty bucket

⊙ : Rock bucket

9. RECOMMENDED OILS

Use only oils listed below or equivalent.
Do not mix different brand oil.

Service point	Kind of fluid	Capacity l (U.S. gal)	Ambient temperature °C (°F)					
			-20 (-4)	-10 (14)	0 (32)	10 (50)	20 (68)	30 (86)
Engine oil pan	Engine oil	27.3(7.2)	SAE 30					
			SAE 10W					
			SAE 10W-30					
			SAE 15W-40					
Swing drive	Gear oil	8.0(2.1)	SAE 85W-140					
Final drive		5.5 × 2 (1.5 × 2)						
Hydraulic tank	Hydraulic oil	Tank; 230(61)	ISO VG 32					
		System; 380(100)	ISO VG 46					
			ISO VG 68					
Fuel tank	Diesel fuel	520(137)	ASTM D975 NO.1					
			ASTM D975 NO.2					
Fitting (Grease nipple)	Grease	As required	NLGI NO.1					
			NLGI NO.2					
Radiator (Reservoir tank)	Mixture of antifreeze and water 50 : 50	50(13.2)	Ethylene glycol base permanent type					

SAE : Society of Automotive Engineers

API : American Petroleum Institute

ISO : International Organization for Standardization

NLGI : National Lubricating Grease Institute

ASTM : American Society of Testing and Material