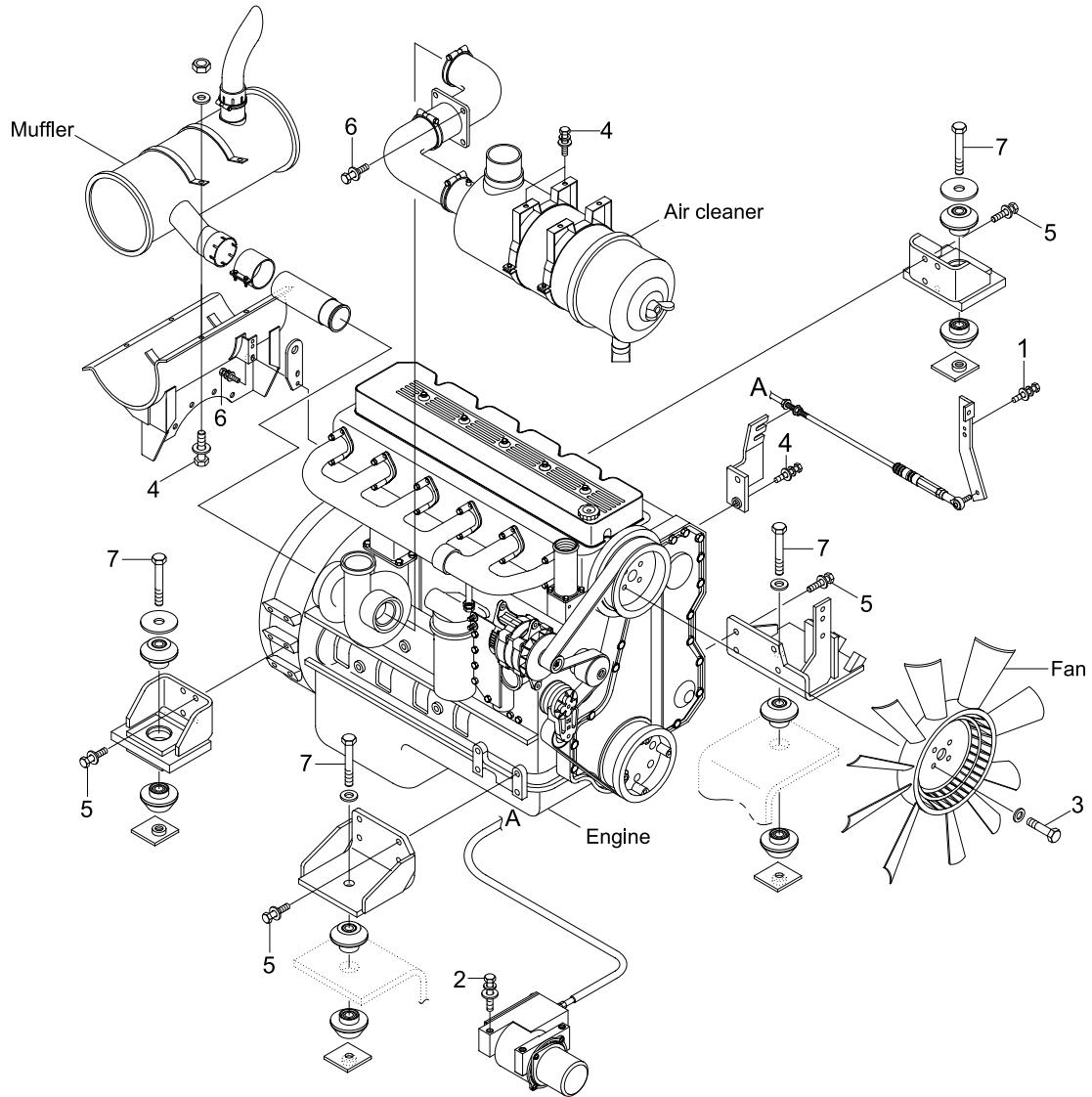


## GROUP 2 ENGINE SYSTEM

### ENGINE AND ACCESSORIES MOUNTING



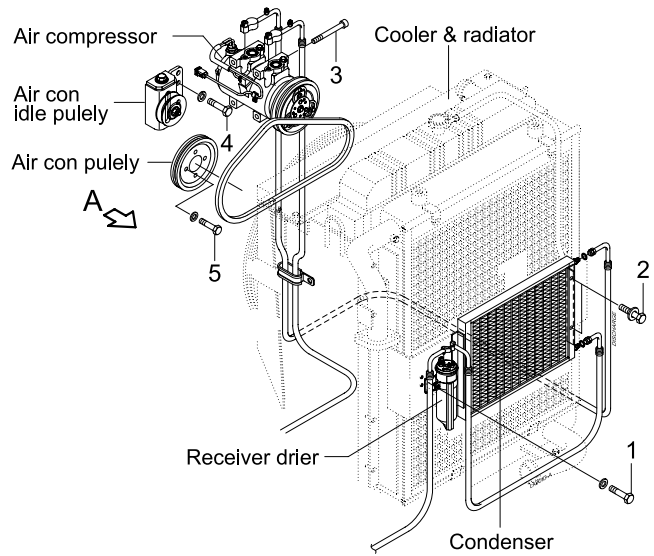
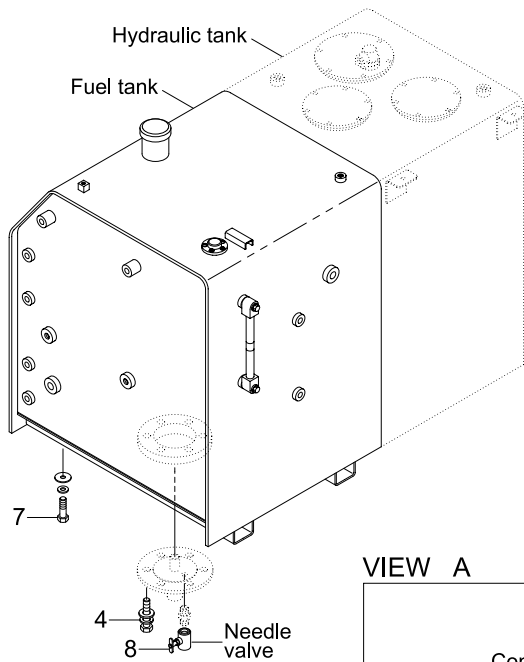
32079CM01

#### · Tightening torque

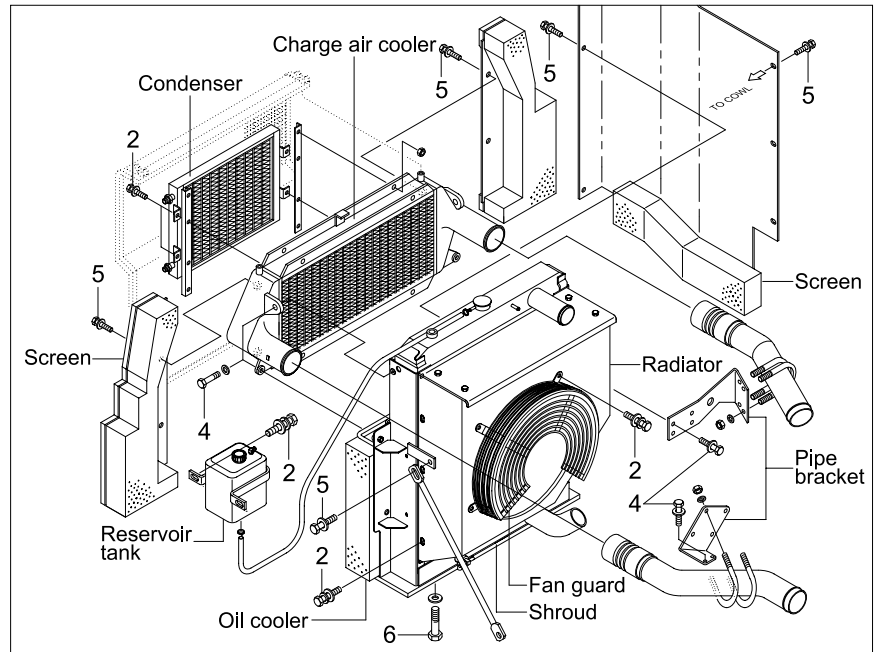
Item	Size	kgf · m	lbf · ft
1	M 6 × 1.0	1.05 ± 0.2	7.6 ± 1.45
2	M 8 × 1.25	2.5 ± 0.5	18.1 ± 3.6
3	M 10 × 1.5	4.4 ± 0.9	31.8 ± 6.5
4	M 10 × 1.5	6.9 ± 1.4	49.9 ± 10.1

Item	Size	kgf · m	lbf · ft
5	M 12 × 1.75	10.0 ± 2.0	72.3 ± 14.5
6	M 12 × 1.75	12.8 ± 3.0	92.6 ± 21.7
7	M 24 × 3.0	90 ± 7.0	651 ± 51
-	-	-	-

# COOLING SYSTEM AND FUEL TANK MOUNTING



VIEW A



32079CM02

· Tightening torque

Item	Size	kgf · m	lbf · ft
1	M 6 × 1.0	1.05 ± 0.2	7.6 ± 1.45
2	M 8 × 1.25	2.5 ± 0.5	18.1 ± 3.6
3	M 8 × 1.25	4.05 ± 0.8	29.3 ± 5.8
4	M10 × 1.5	6.9 ± 1.4	49.9 ± 10.1

Item	Size	kgf · m	lbf · ft
5	M12 × 1.75	12.8 ± 3.0	92.6 ± 21.7
6	M16 × 2.0	29.7 ± 4.5	215 ± 32.5
7	M20 × 2.5	45 ± 5.1	325 ± 36.9
8	-	2.3 ± 0.6	16.6 ± 4.3