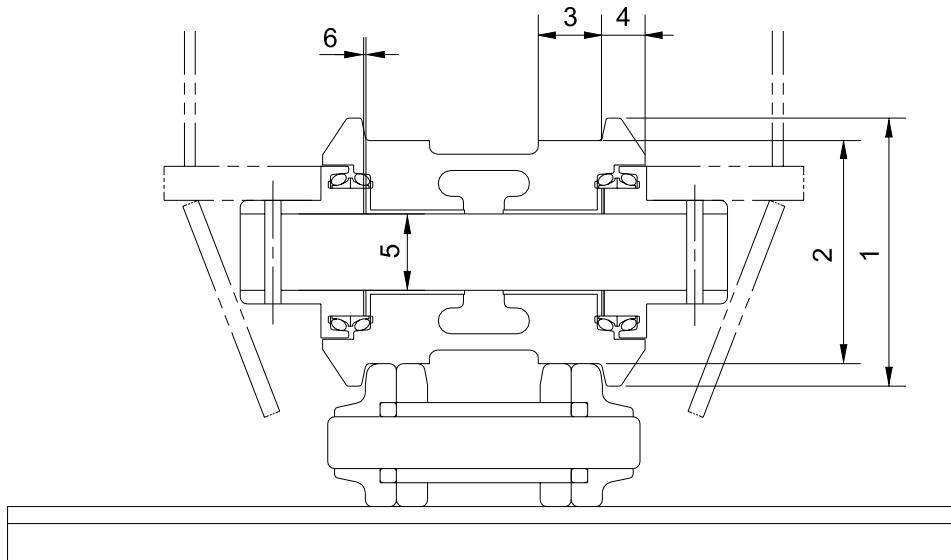


GROUP 3 TRACK AND WORK EQUIPMENT

1. TRACK

1) TRACK ROLLER

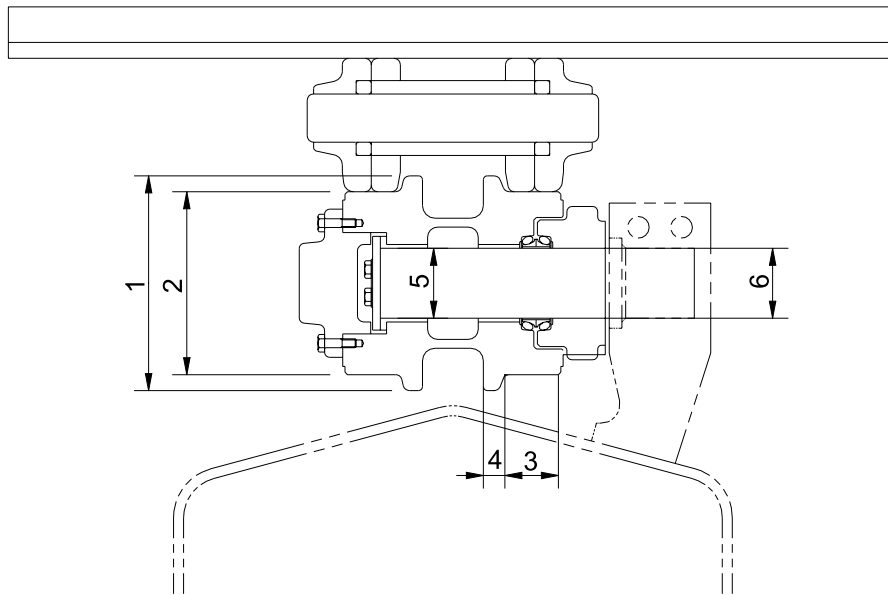


32077MS01

Unit : mm

| No. | Check item | Criteria | | | | Remedy |
|-----|--------------------------------------|---------------------------|------|--------------------|-----------------|--------------------|
| | | Standard size | | Repair limit | | |
| 1 | Outside diameter of flange | Ø216 | | Ø204 | | Rebuild or replace |
| 2 | Outside diameter of tread | Ø180 | | Ø168 | | |
| 3 | Width of tread | 50 | | 56 | | |
| 4 | Width of flange | 27 | | 21 | | |
| 5 | Clearance between shaft and bushing | Standard size & tolerance | | Standard clearance | Clearance limit | Replace bushing |
| | | Shaft | Hole | | | |
| 6 | Side clearance of roller (Both side) | Standard clearance | | Clearance limit | | Replace |
| | | 0.16~1.24 | | 2.0 | | |

2) CARRIER ROLLER

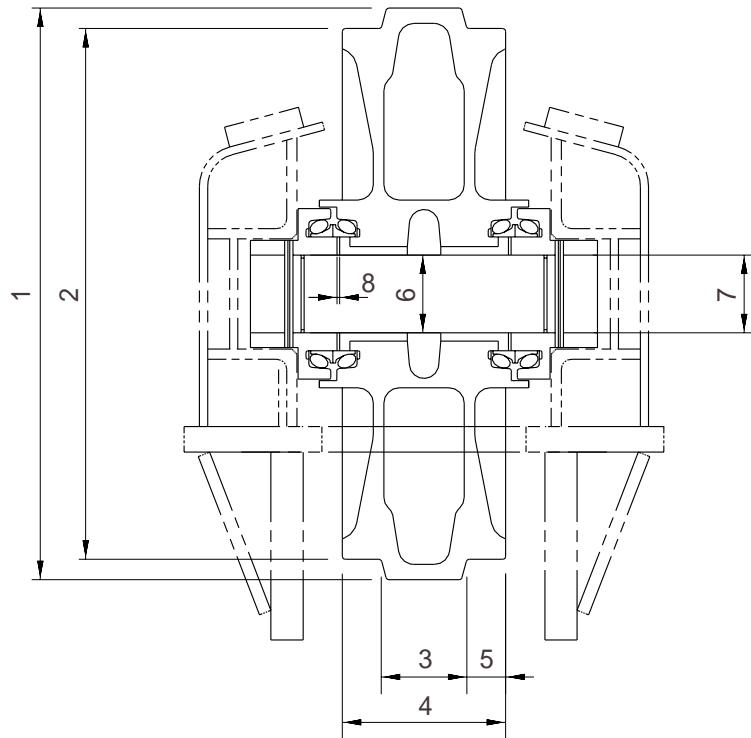


32077MS02

Unit : mm

| No. | Check item | Criteria | | | | Remedy |
|-----|-------------------------------------|---------------------------|--------------------|--------------------|-----------------|--------------------|
| | | Standard size | | Repair limit | | |
| 1 | Outside diameter of flange | Ø200 | | Ø186 | | Rebuild or replace |
| 2 | Outside diameter of tread | Ø168 | | Ø154 | | |
| 3 | Width of tread | 54 | | 61 | | |
| 4 | Width of flange | 19 | | 12 | | |
| 5 | Clearance between shaft and bushing | Standard size & tolerance | | Standard clearance | Clearance limit | Replace bushing |
| | | Shaft | Hole | | | |
| | | Ø55 +0.085 +0.066 | Ø55 +0.37 +0.33 | 0.245 to 0.304 | 2.0 | |
| 6 | Clearance between shaft and support | Ø58 0 -0.1 | Ø58 +0.5 +0.3 | 0.3 to 0.6 | 1.2 | Replace |

3) IDLER

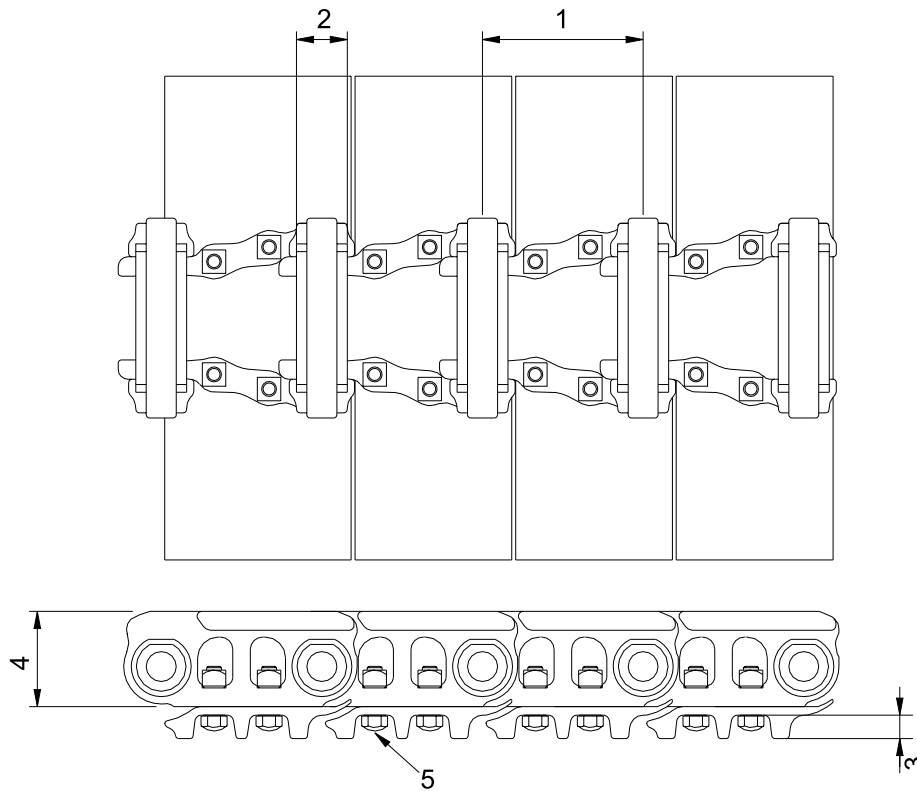


21073MS03

Unit : mm

| No. | Check item | Criteria | | Remedy | | |
|-----|-------------------------------------|------------------------------------|--|--------------------|-----------------|-----------------|
| | | Standard size | Repair limit | | | |
| 1 | Outside diameter of protrusion | Ø646 | Ø636 | Rebuild or replace | | |
| 2 | Outside diameter of tread | Ø594 | Ø584 | | | |
| 3 | Width of protrusion | 102 | 92 | | | |
| 4 | Total width | 203 | - | | | |
| 5 | Width of tread | 50.5 | 55.5 | | | |
| 6 | Clearance between shaft and bushing | Standard size & tolerance | | Standard clearance | Clearance limit | Replace bushing |
| | | Shaft | Hole | | | |
| | | Ø90 ⁰ _{-0.035} | Ø90.35 ^{+0.05} ₀ | 0.35 to 0.435 | 2.0 | |
| 7 | Clearance between shaft and support | Ø90 ⁰ _{-0.035} | Ø90 ^{+0.09} _{+0.036} | 0.036 to 0.125 | 1.2 | Replace |
| 8 | Side clearance of idler (Both side) | Standard clearance | | Clearance limit | | Replace |
| | | 0.4 to 1.2 | | 2.0 | | |

4) TRACK

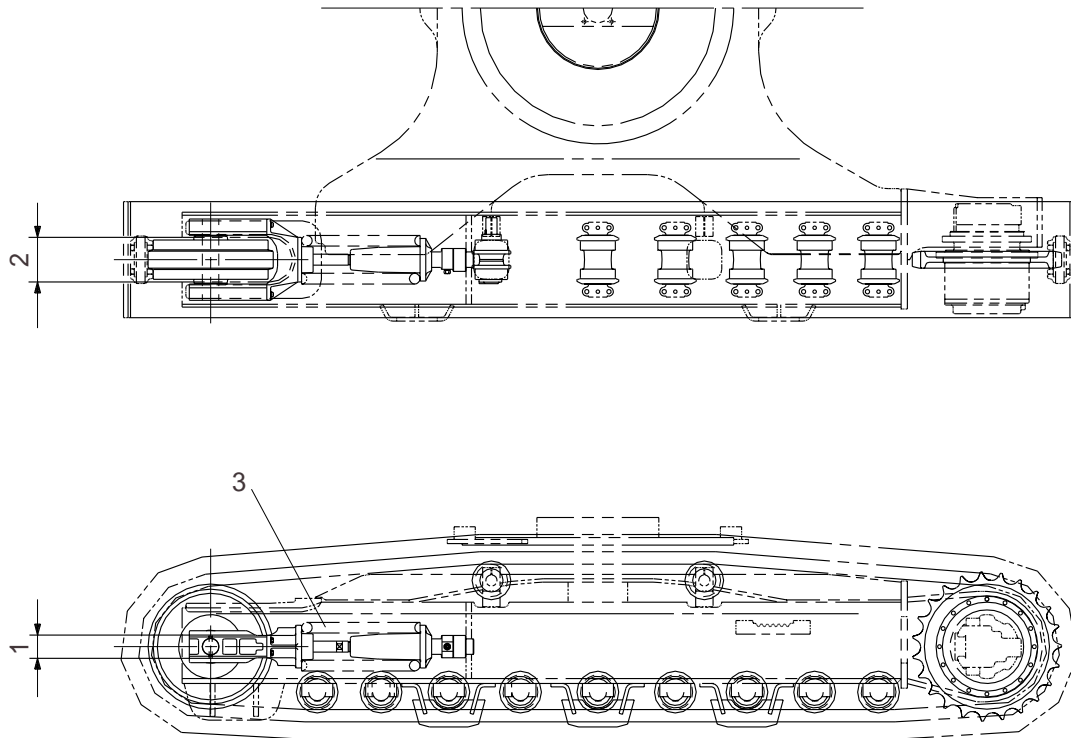


32077MS04

Unit : mm

| No. | Check item | Criteria | | Remedy |
|-----|-----------------------------|--|--------------|--------------------|
| | | Standard size | Repair limit | |
| 1 | Link pitch | 216 | 223 | Turn or replace |
| 2 | Outside diameter of bushing | Ø66.5 | Ø58.5 | |
| 3 | Height of grouser | 30 | 21 | Rebuild or replace |
| 4 | Height of link | 116 | 104 | |
| 5 | Tightening torque | Initial tightening torque : $115 \pm 5 \text{ kgf} \cdot \text{m}$ | | Retighten |

5) TRACK FRAME AND RECOIL SPRING

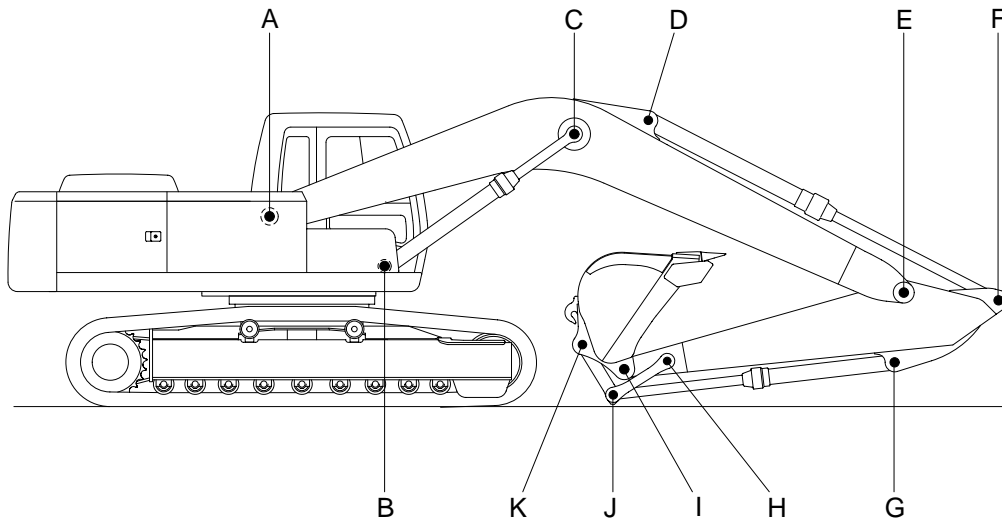


21073MS05

Unit : mm

| No. | Check item | Criteria | | | | Remedy | |
|-----|---------------------------------|---------------|---------------------|-------------------|--------------|--------------------|---------|
| | | | Standard size | Tolerance | Repair limit | | |
| 1 | Vertical width of idler guide | Track frame | 132 | +2 0 | 138 | Rebuild or replace | |
| | | Idler support | 130 | 0 -1.5 | 124 | | |
| 2 | Horizontal width of idler guide | Track frame | 292 | +2 0 | 298 | | |
| | | Idler support | 290 | - | 286 | | |
| 3 | Recoil spring | Standard size | | | Repair limit | | Replace |
| | | Free length | Installation length | Installation load | Free length | Installation load | |
| | | ∅253 x 710 | 580 | 19012kg | - | 15210kg | |

2. WORK EQUIPMENT



21077MS20

Unit : mm

| Mark | Measuring point (Pin and Bushing) | Normal value | Pin | | Bushing | | Remedy & Remark |
|------|--------------------------------------|-----------------|-----------------------------|-----------------|-----------------------------|-----------------|-----------------------|
| | | | Recomm. service limit | Limit of use | Recomm. service limit | Limit of use | |
| A | Boom Rear | 110 | 109 | 108.5 | 110.5 | 111 | Replace |
| B | Boom Cylinder Head | 100 | 99 | 98.5 | 100.5 | 101 | |
| C | Boom Cylinder Rod | 100 | 99 | 98.5 | 100.5 | 101 | |
| D | Arm Cylinder Head | 100 | 99 | 98.5 | 100.5 | 101 | |
| E | Boom Front | 100 | 99 | 98.5 | 100.5 | 101 | |
| F | Arm Cylinder Rod | 100 | 99 | 98.5 | 100.5 | 101 | |
| G | Bucket Cylinder Head | 90 | 89 | 88.5 | 90.5 | 91 | |
| H | Arm Link | 90 | 89 | 88.5 | 90.5 | 91 | |
| I | Bucket and Arm Link | 100 | 99 | 98.5 | 100.5 | 101 | |
| J | Bucket Cylinder Rod | 90 | 89 | 88.5 | 90.5 | 91 | |
| K | Bucket Link | 100 | 99 | 98.5 | 100.5 | 101 | |