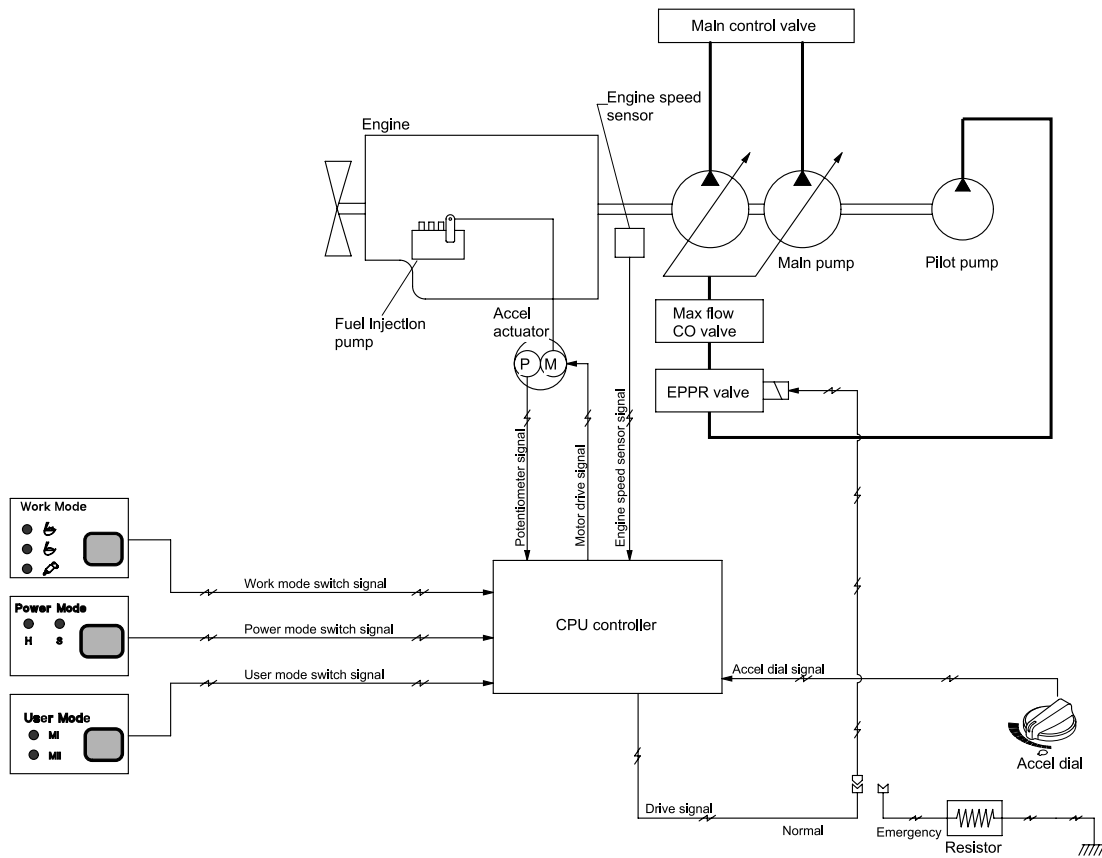


# GROUP 2 MODE SELECTION SYSTEM

## 1. POWER MODE SELECTION SYSTEM



32075MS02

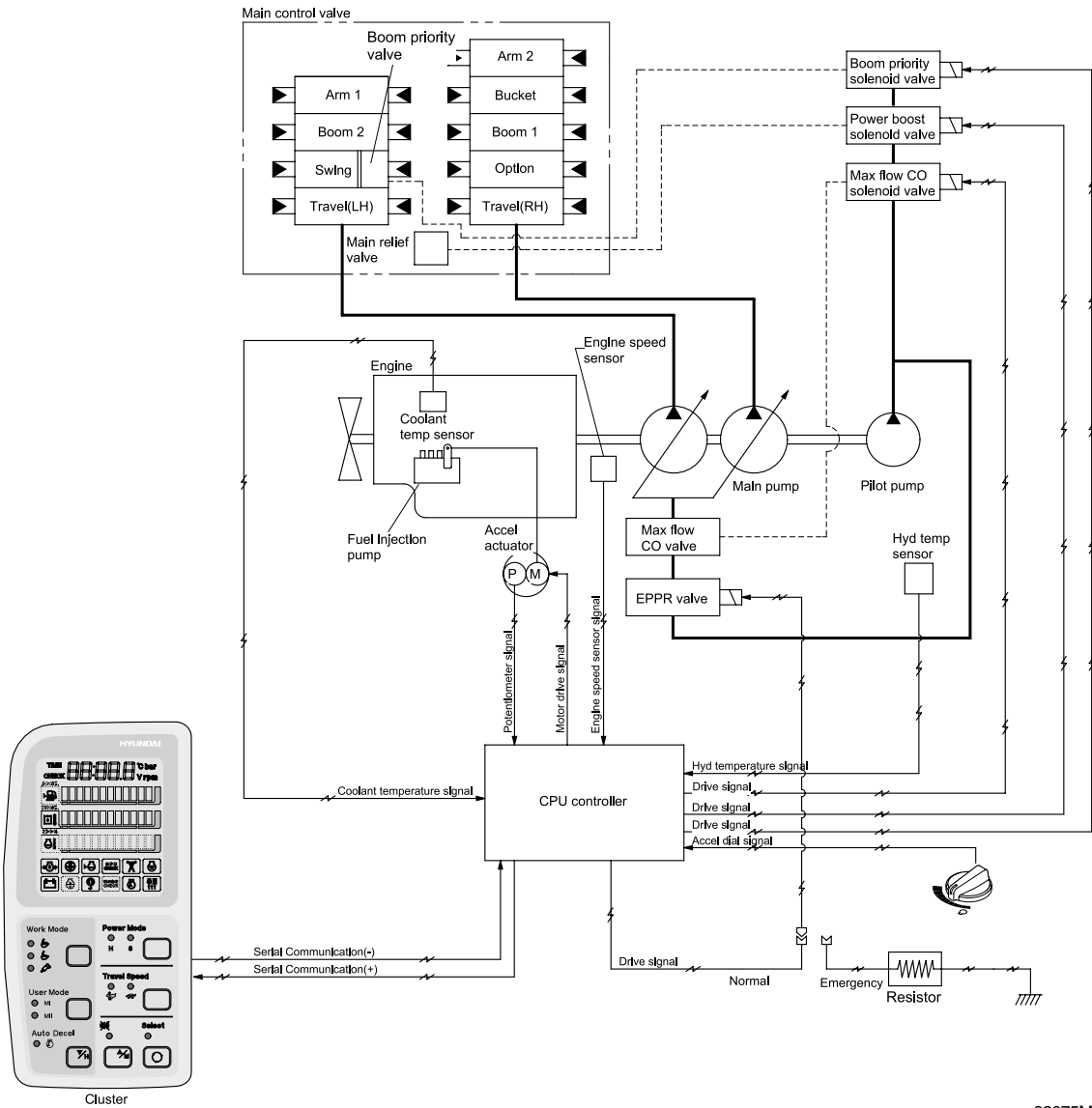
Mode selection system(Micro computer based electro-hydraulic pump and engine mutual control system) optimizes the engine and pump performance.

The combination of 2 power modes(H, S) and accel dial position(10 set) makes it possible to use the engine and pump power more effectively corresponding to the work conditions from a heavy and great power requesting work to a light and precise work.

Mode	Application	Power set (%)	Engine rpm		Power shift by EPPR valve			
			Unload	Load	Default		Other case	
					Current (mA)	Pressure (kgf/cm <sup>2</sup> )	Current (mA)	Pressure (kgf/cm <sup>2</sup> )
M	Maximum Power	95	1960 ± 50	1750	230 ± 30	4	160	0
H	High power	85	1850 ± 50	1650	270 ± 30	6	230	4
S	Standard power	70	1750 ± 50	1550	270 ± 30	6	270	6
AUTO DECEL	Engine deceleration	-	1100 ± 100	-	670 ± 30	31	670 ± 30	31
One touch decel	Engine quick deceleration	-	850 ± 100	-	700 ± 30	35	700 ± 30	35
KEY START	Key switch start position	-	850 ± 100	-	700 ± 30	35	700 ± 30	35

## 2. WORK MODE SELECTION SYSTEM

3 work modes can be selected for the optional work speed of the machine operation.



32075MS03

### 1) HEAVY DUTY WORK MODE

The boom priority solenoid is activated to make the boom operation speed faster.

### 2) GENERAL WORK MODE

When key switch is turned ON, this mode is selected and swing operation speed is faster than heavy duty work mode.

### 3) BREAKER OPERATION MODE

It sets the pump flow to the optimal operation of breaker by activating the max flow cut-off solenoid.

Work mode	Boom priority solenoid	Max flow cut-off solenoid
Heavy duty	ON	OFF
General	OFF	OFF
Breaker	OFF	ON

### 3. USER MODE SELECTION SYSTEM

An operator can change the engine and pump power and memorize it for his preference.

Mode	Operation
U	High idle rpm, auto decel rpm EPPR pressure can be modulated and memorized separately

#### HOW TO MODULATE THE MEMORY SET

- Each memory mode has a initial set which are mid-range of max engine speed, auto decel rpm, and EPPR valve input current. When you select M or U, cluster LCD displays.
- To change the engine high idle speed, press the USER mode switch and SELECT switch at the same time and then ACCEL blinks at 0.5 seconds interval.
  - By pressing ▲ or ▼ switch, █ will increase or decrease.
- To change DECEL rpm, press the USER mode switch and SELECT switch once more and then DECEL blinks at 0.5 seconds interval.
  - By pressing ▲ or ▼ switch, █ will increase or decrease.
- To change EPPR current, press the USER mode switch and SELECT switch one more and then EPPR blinks at 0.5 seconds interval.
  - By pressing ▲ or ▼ switch, █ will increase or decrease.

#### • LCD segment vs parameter setting

Segment (█)	ACCEL (rpm)	DECEL (rpm)	EPPR (mA)
1	High idle-900	Low idle(850)	150
2	High idle-800	950	200
3	High idle-700	1000	250
4	High idle-600	1050	300
5	High idle-500	Decel rpm(1100)	350
6	High idle-400	1150	400
7	High idle-300	1200	450
8	High idle-200	1250	500
9	High idle-100	1300	550
10	High idle	1350	600

- To memorize the final setting, press the USER mode switch and SELECT switch one more time.

