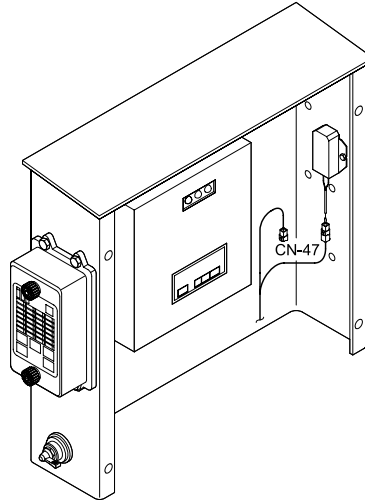


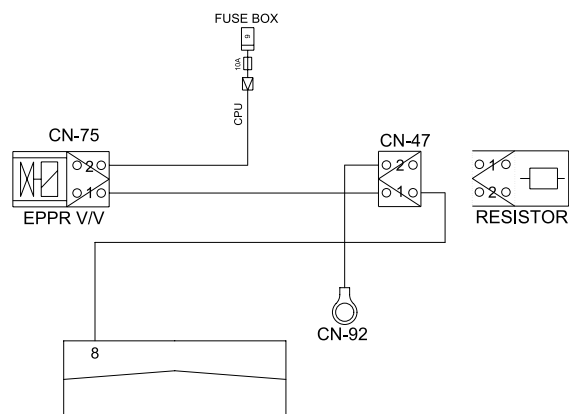
## GROUP 12 PROLIX SYSTEM

Is the prolix resistor connected to manual control temporarily when the electronic control system is out of order, until repair work be done.



32075MS15

### 1. OPERATING PRINCIPLE WIRING DIAGRAM



14075MS19

#### 1) NORMAL

- EPPR valve supply specified amount of pilot pressure to the flow regulator of hydraulic pump and regulate hydraulic pump delivery amount depending upon the signal of CPU controller by selected mode.

#### 2) EMERGENCY

- If prolix resistor is connected with the emergency connector when any abnormality occurs in NEW CAPO system, constant electric current from battery flows to EPPR valve so that EPPR valve can be fixed at the predetermined position.
- In this case excavator can be operated at an equivalent performance to S mode.