

## GROUP 4 CONNECTORS

### 1. CONNECTOR DESTINATION

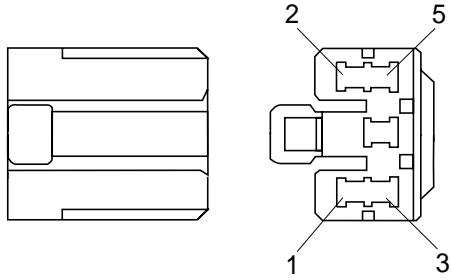
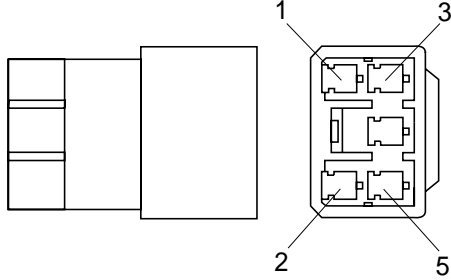
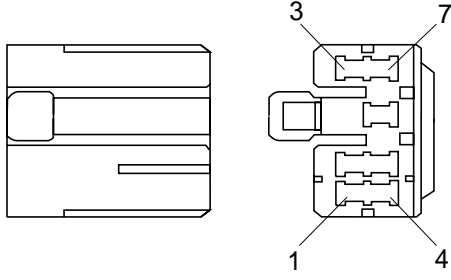
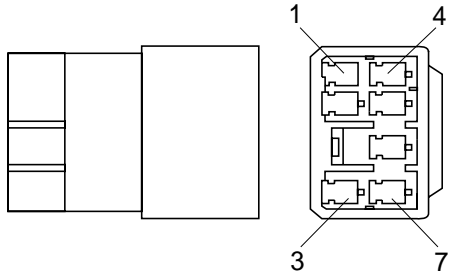
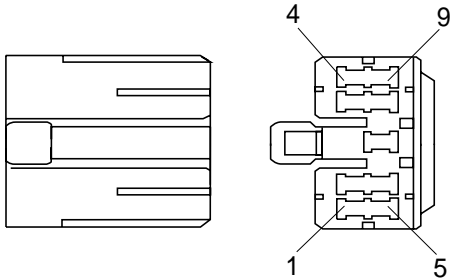
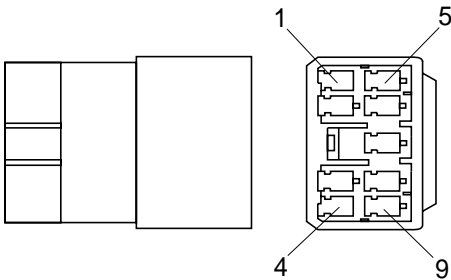
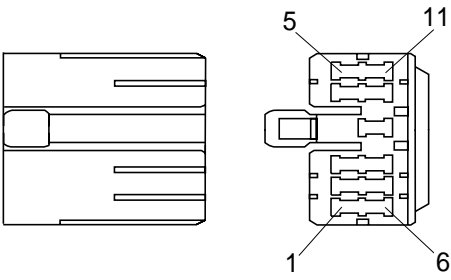
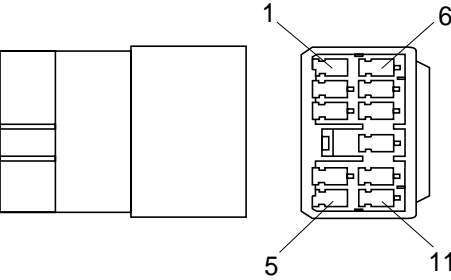
Connector number	Type	No. of pin	Destination	Connector part No.	
				Female	Male
CN-1	AMP	6	I/conn(Frame harness-main pump)	S816-006002	S816-106002
CN-2	AMP	12	I/conn(Frame harness-engine harness)	S816-012002	S816-112002
CN-3	AMP	8	I/conn(Frame harness-engine harness)	S816-008002	S816-108002
CN-4	AMP	8	I/conn(Wire harness LH-frame harness)	S816-008002	S816-108002
CN-5	AMP	15	I/conn(Side harness RH-frame harness)	2-85262-1	368301-1
CN-6	AMP	12	I/conn(Side harness RH-frame harness)	S816-012002	S816-112002
CN-7	AMP	15	I/conn(Wire harness RH-frame harness)	2-85262-1	368301-1
CN-8	AMP	12	I/conn(Wire harness RH-frame harness)	S816-012002	S816-112002
CN-9	AMP	8	I/conn(Wire harness RH-frame harness)	S816-008002	S816-108002
CN-10	DEUTSCH	12	I/conn(Cab harness-frame harness)	DT06S-12S	DT04-12P
CN-11	DEUTSCH	8	I/conn(Air con harness-frame harness)	DT06-8S	DT06-8P
CN-12	DEUTSCH	2	Boom wire harness	DT06-2S	DT06-2P
CN-16	AMP	6	Pump pressure harness	S816-006002	S816-106002
CN-20	MOLEX	2	Horn	35825-0211	-
CN-21	AMP	6	Wiper motor	925276-0	-
CN-22	KET	2	Washer tank	MG640605	-
CN-23	KET	2	Speaker-LH	MG610070	-
CN-24	KET	2	Speaker-RH	MG610070	-
CN-25	MOLEX	2	Horn	35825-0211	-
CN-27	AMP	14	Cassette radio	173852	-
CN-28	MWP	1	AC compressor	NMWP01F-B	-
CN-29	KET	2	Receiver dryer	MG640795	-
CN-36	-	-	Fuse box	S820-106000	-
CN-45	RING-TERM	-	Start motor B+	21N8-20041	-
CN-47	AMP	2	Resistor	S810-002202	S810-102202
CN-48	KET	1	Hour meter	GP890469	-
CN-50	AMP	36	CPU controller	3441110	-
CN-51	AMP	36	CPU controller	3441110	-
CN-56	DEUTSCH	4	Cluster	-	DT04-4P
CN-60	YAZAKI	2	Battery relay contact	7122-4125-50	21N4-01320
CN-61	DEUTSCH	2	Fuel filler pump	DT06-2S	DT04-2P
CN-66	DEUTSCH	2	Breaker solenoid	DT06-2S	DT04-2P
CN-68	DEUTSCH	2	Safety solenoid	DT06-2S	DT04-2P
CN-70	DEUTSCH	2	Travel solenoid	DT06-2S	DT04-2P

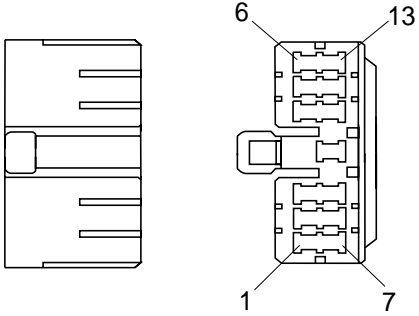
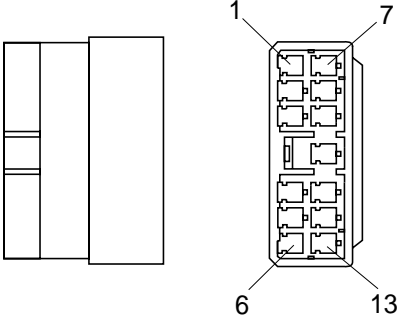
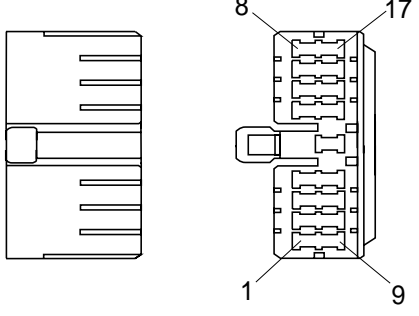
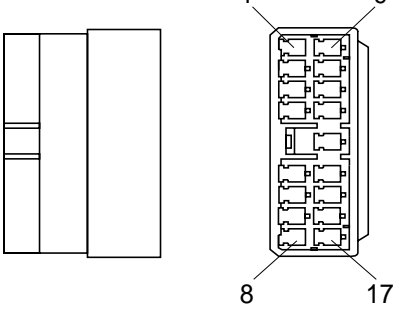
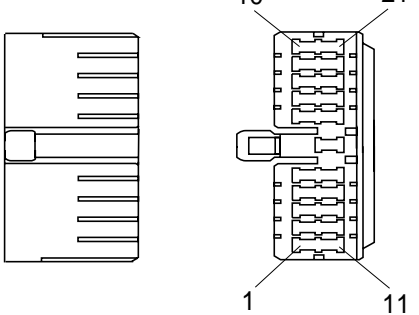
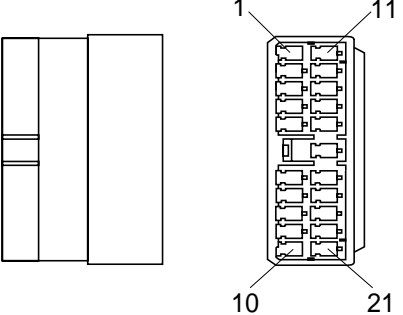
Connector number	Type	No. of pin	Destination	Connector part No.	
				Female	Male
CN-74	RING-TERM	-	Alternator "I" term	S820-105000	-
CN-75	AMP	2	EPPR valve	S816-002002	-
CN-76	DEUTSCH	6	DC motor	DT06-6S	-
CN-79	PACKARD	3	Fuel cut off	S818-020311	-
CN-81	DEUTSCH	2	Travel buzzer	DT06-2S	DT04-2P
CN-88	DEUTSCH	2	Power max solenoid	DT06-2S	DT04-2P
CN-91	DEUTSCH	8	Overload switch harness	DT06-2S	DT04-2P
CN-92	KET	1	Spare connector	S814-001100	S814-101100
CN-95	YAZAKI	2	Battery relay contact	S813-130200	21N4-01311
CN-116	PA	17	Switch panel	S811-017002	-
CN-126	DEUTSCH	4	RS 232 connector	DT06-4S	DT04-4P-E004
CN-138	DEUTSCH	3	DC/DC converter	DT06-3S	-
CN-139	DEUTSCH	2	12V socket	DT06-2S	DT04-2P
CN-141	AMP	13	Wiper motor controller	142176-2	-
CN-142	DEUTSCH	3	Accel dial	DT06-3S	-
CN-143	KET	12	Cassette radio(With remocon)	MG610406	-
CN-144	AMP	12	Remocon-cassette radio	174045-2	-
· Relay					
CR-1	RING-TERM	-	Battery relay	-	S820-104002
CR-23	RING-TERM	2	Start relay	ST710095-3	-
CR-24	RING-TERM	-	Pre-heater relay	S820-106000	-
CR-24	RING-TERM	-	Pre-heater relay	S820-406000	-
· Switch					
CS-1	SHUR	1	Door switch	S822-014004	-
CS-2	SWP	6	Start key switch	S814-006000	-
CS-4	DEUTSCH	3	Safety switch	DT06-3S	-
CS-5	DEUTSCH	2	Horn switch	-	DT04-2PS
CS-7	DEUTSCH	6	Prolix switch	DT06-6S	-
CS-19	DEUTSCH	2	One touch decel	DT06-2S	-
CS-23	SWF	10	Beacon lamp switch	SWF 593757	-
CS-26	DEUTSCH	2	Breaker switch	DT06-2S	-
CS-27	SWF	10	Breaker switch	SWF 593757	-
CS-29	DEUTSCH	2	Powe max switch	DT04-2P	-
CS-50	SWF	10	Overload switch	SWF 593757	-
CS-52	SWF	10	Boom damping switch	SWF 593757	-
CS-53	SHUR	1	Wiper cut switch	S822-014002	-
CS-54	SWF	10	Spear switch	SWF 593757	-
CS-60	RING-TERM	-	Reset button	-	S820-205002
CS-61	RING-TERM	-	Reset button	-	S820-305002

Connector number	Type	No. of pin	Destination	Connector part No.	
				Female	Male
· Light					
CL-1	KET	2	Room lamp	MG 610406	-
CL-2	AMP	1	Cigar light	S822-014002	-
CL-4	DEUTSCH	2	Head lamp	DT06-2S	DT04-2P
CL-5	DEUTSCH	2	Work lamp-LH	DT06-2S	DT04-2P
CL-6	DEUTSCH	2	Work lamp-RH	DT06-2S	DT04-2P
CL-7	SHUR	1	Beacon lamp	S822-014004	S822-114004
CL-8	DEUTSCH	2	Cab light-LH	DT06-2S	DT04-2P
CL-9	DEUTSCH	2	Cab light-RH	DT06-2S	DT04-2P
· Sensor, sendor					
CD-1	AMP	2	Hydraulic oil temp sender	85202-1	-
CD-2	DEUTSCH	2	Fuel sender	DT06-2S	DT04-2P
CD-6	KET	2	Travel pressure switch	MG 640795	-
CD-7	KET	2	Working pressure switch	MG 640795	-
CD-8	AMP	2	Water temp sender	85202-1	-
CD-10	RING-TERM	-	Air cleaner switch	-	S820-104002
CD-16	KET	2	Water level	S814-002100	-
CD-17	PACKARD	2	Tachosensor	-	S818-120221
CD-18	RING-TERM	1	Engine oil pressure switch	-	S820-104000
CD-31	DEUTSCH	2	Overload pressure switch	DT06-2S	DT04-2P
CD-42	AMP	3	Pump pressure 1	S816-003002	-
CD-43	AMP	3	Pump pressure 2	S816-003002	-
CD-44	AMP	3	Pump pressure 3	S816-003002	-
· Diode					
DO-1	AMP	2	-	21EA-50550	-
DO-2	AMP	2	-	21EA-50550	-
DO-3	AMP	2	-	21EA-50550	-

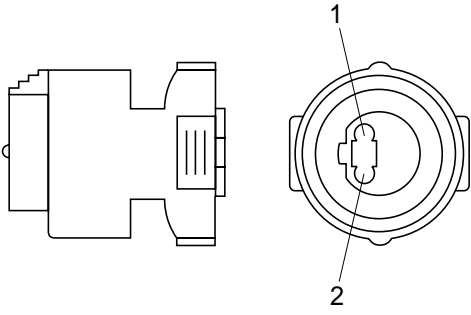
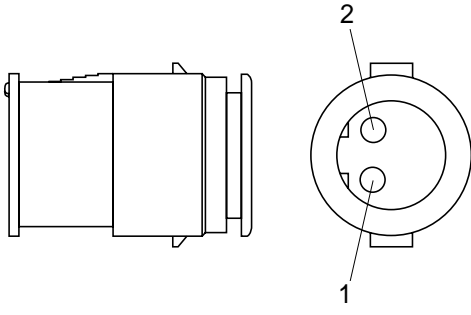
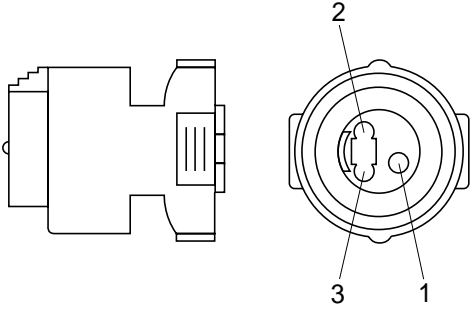
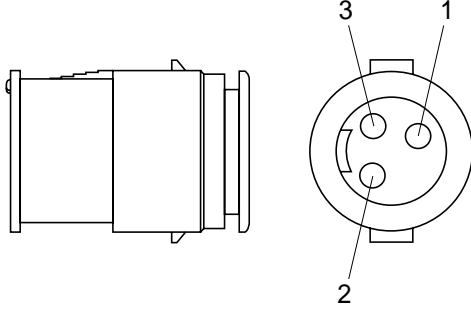
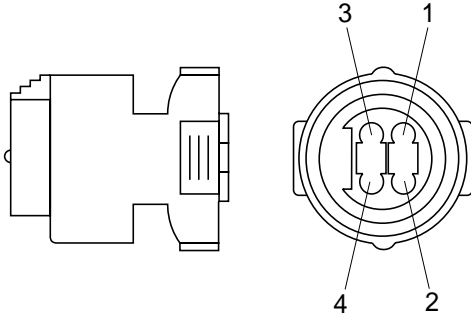
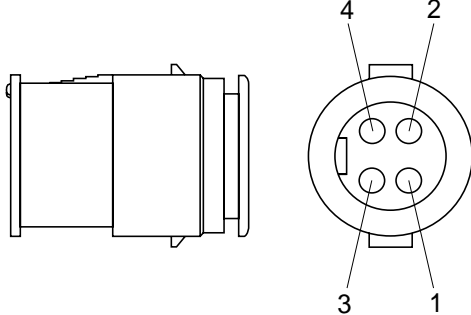
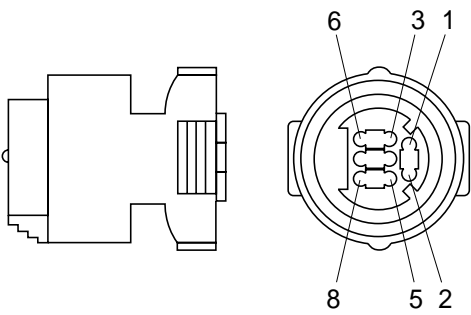
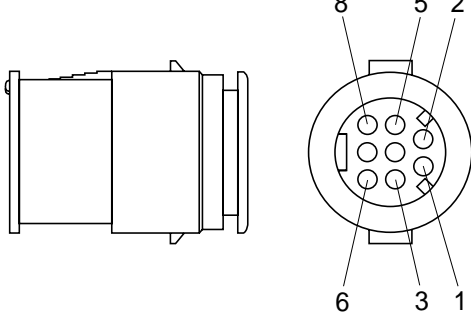
## 2. CONNECTION TABLE FOR CONNECTORS

### 1) PA TYPE CONNECTOR

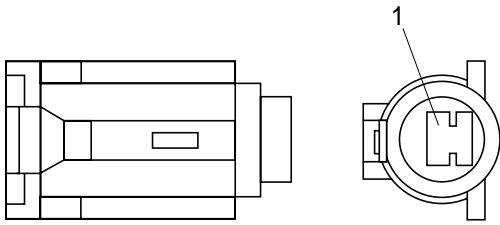
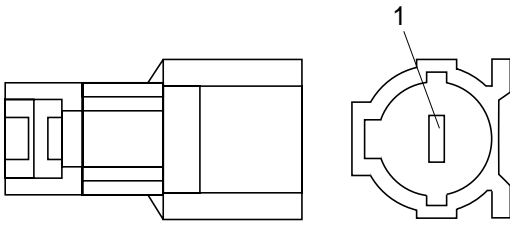
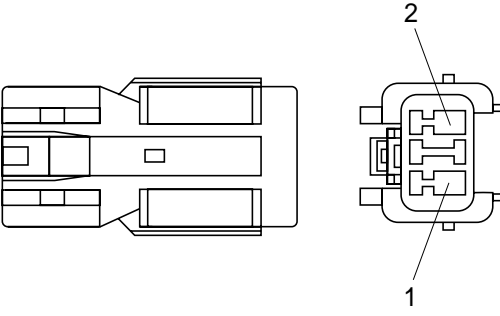
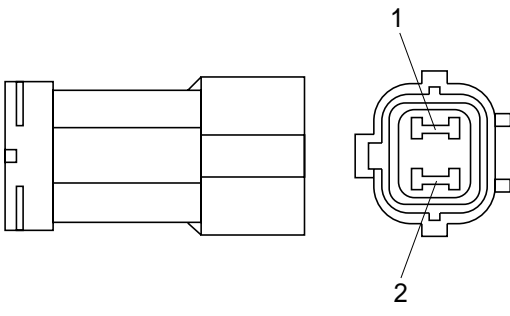
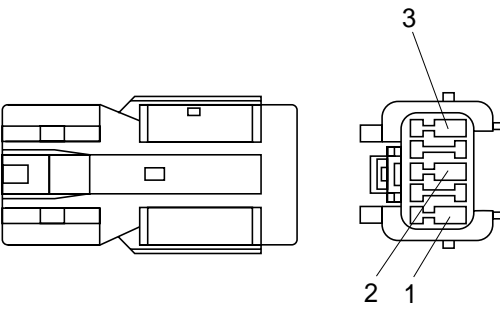
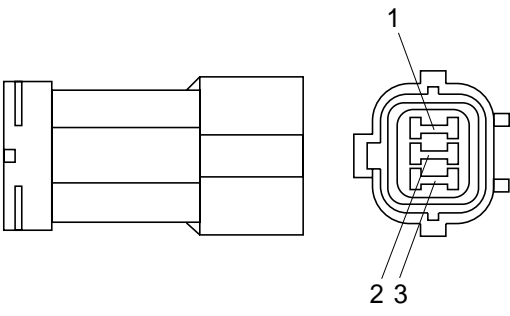
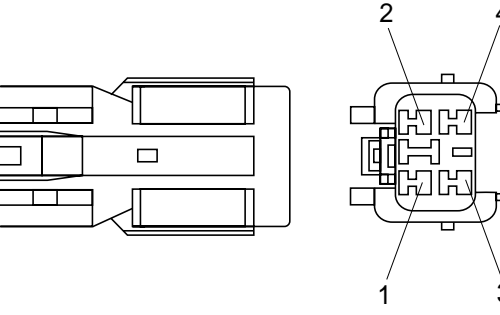
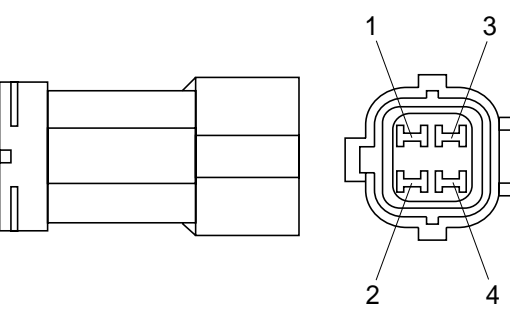
No. of pin	Receptacle connector(Female)	Plug connector(Male)
5	 <p data-bbox="687 734 837 768">S811-005002</p>	 <p data-bbox="1241 734 1391 768">S811-105002</p>
7	 <p data-bbox="687 1144 837 1178">S811-007002</p>	 <p data-bbox="1241 1144 1391 1178">S811-107002</p>
9	 <p data-bbox="687 1554 837 1588">S811-009002</p>	 <p data-bbox="1241 1554 1391 1588">3S811-109002</p>
11	 <p data-bbox="687 1964 837 1998">S811-011002</p>	 <p data-bbox="1241 1964 1391 1998">S811-111002</p>

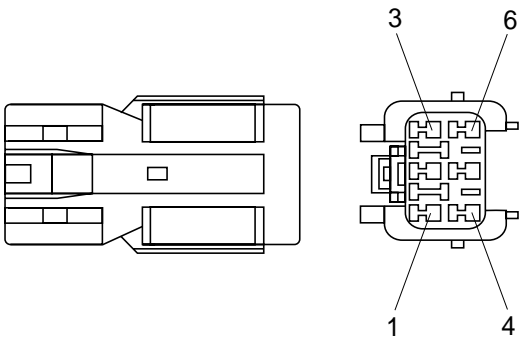
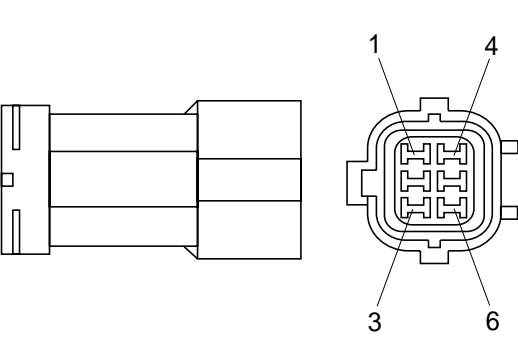
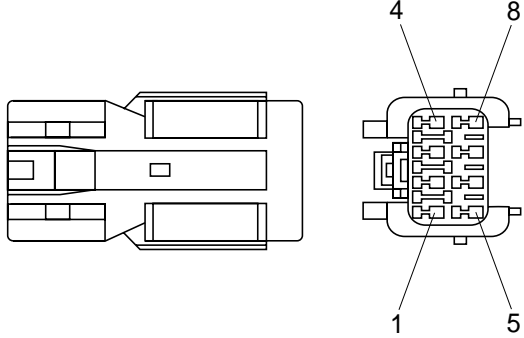
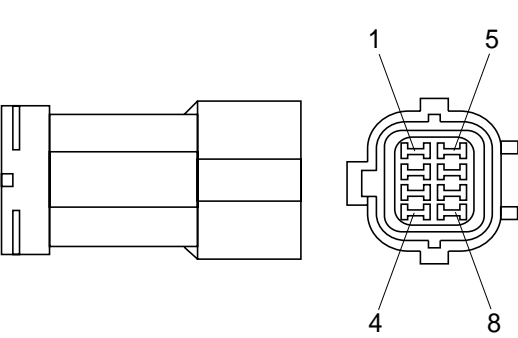
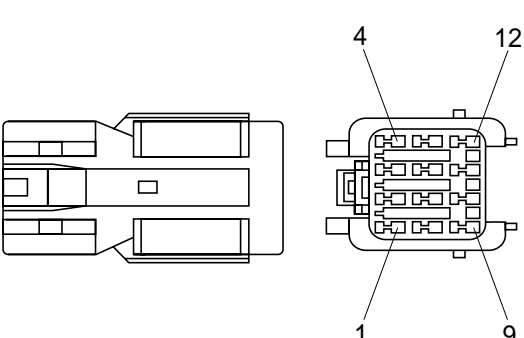
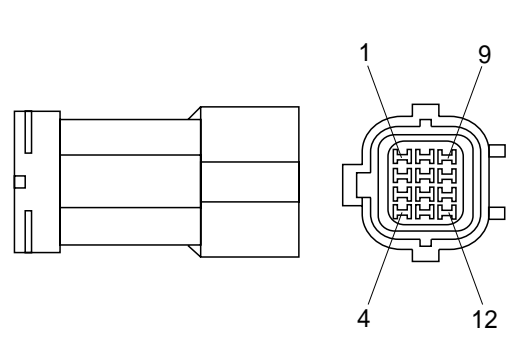
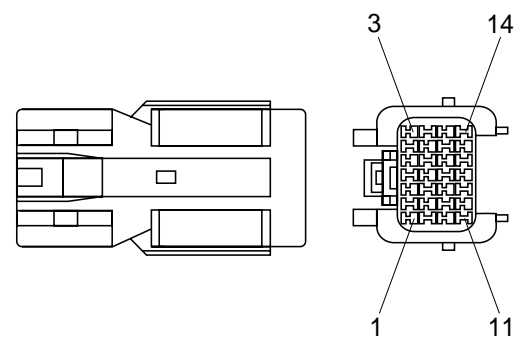
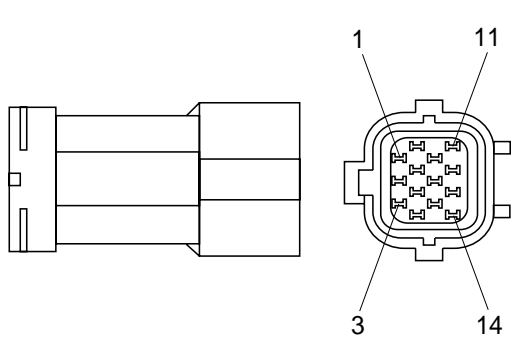
No. of pin	Receptacle connector(Female)	Plug connector(Male)
13	 <p data-bbox="687 629 839 663">S811-013002</p>	 <p data-bbox="1238 629 1390 663">S811-113002</p>
17	 <p data-bbox="687 1041 839 1075">S811-017002</p>	 <p data-bbox="1238 1041 1390 1075">S811-117002</p>
21	 <p data-bbox="687 1447 839 1480">S811-021002</p>	 <p data-bbox="1238 1447 1390 1480">S811-121002</p>

## 2) J TYPE CONNECTOR

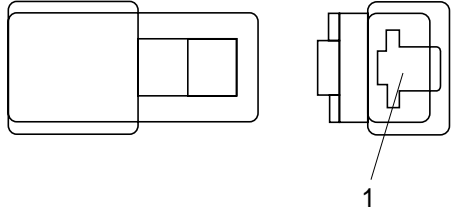
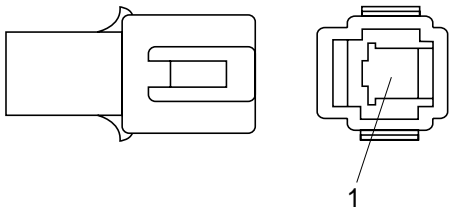
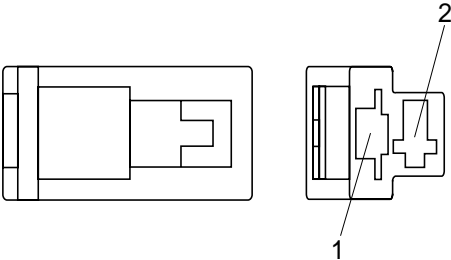
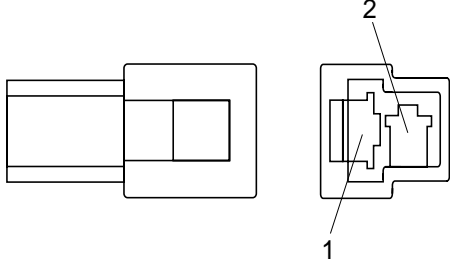
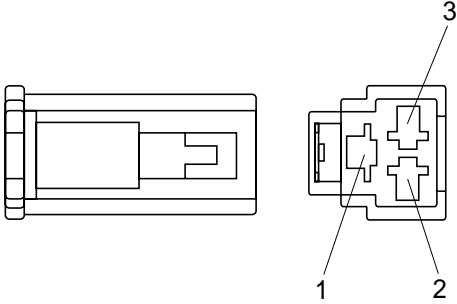
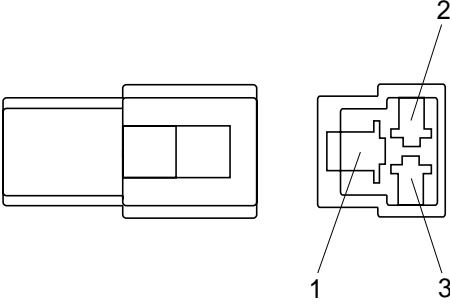
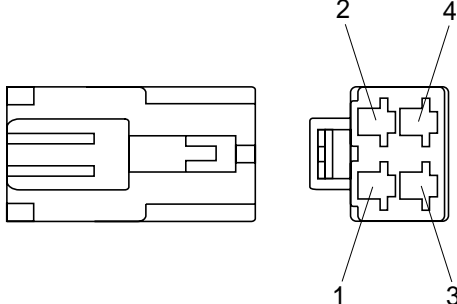
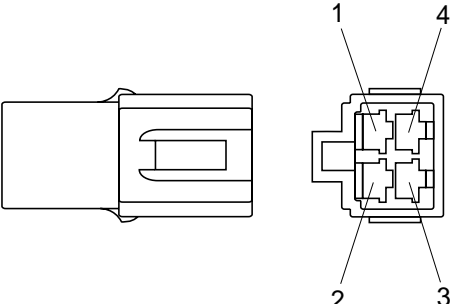
No. of pin	Receptacle connector(Female)	Plug connector(Male)
2	 <p style="text-align: center;">S816-002001</p>	 <p style="text-align: center;">S816-102001</p>
3	 <p style="text-align: center;">S816-003001</p>	 <p style="text-align: center;">S816-103001</p>
4	 <p style="text-align: center;">S816-004001</p>	 <p style="text-align: center;">S816-104001</p>
8	 <p style="text-align: center;">S816-008001</p>	 <p style="text-align: center;">S816-108001</p>

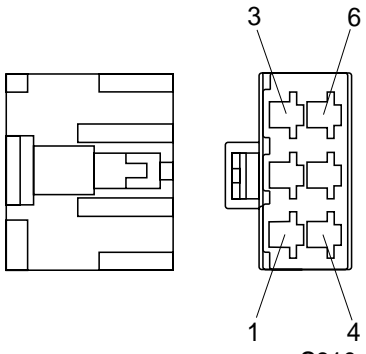
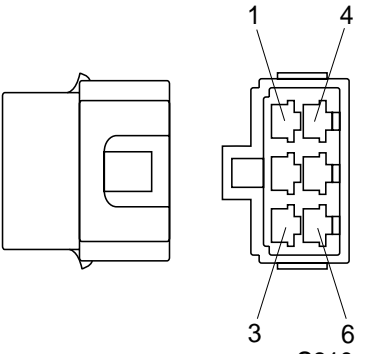
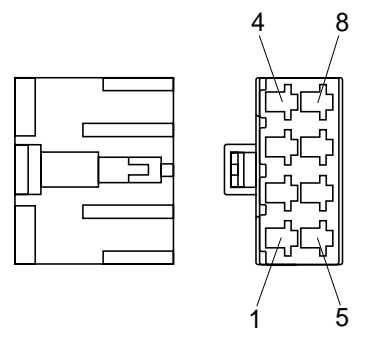
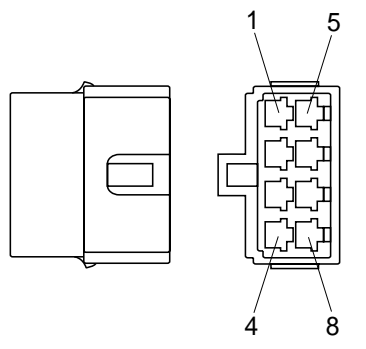
### 3) SWP TYPE CONNECTOR

No. of pin	Receptacle connector(Female)	Plug connector(Male)
1	 <p data-bbox="686 672 837 705">S814-001000</p>	 <p data-bbox="1236 672 1388 705">S814-101000</p>
2	 <p data-bbox="686 1075 837 1108">S814-002000</p>	 <p data-bbox="1236 1075 1388 1108">S814-102000</p>
3	 <p data-bbox="686 1478 837 1512">S814-003000</p>	 <p data-bbox="1236 1478 1388 1512">S814-103000</p>
4	 <p data-bbox="686 1881 837 1915">S814-004000</p>	 <p data-bbox="1236 1881 1388 1915">S814-104000</p>

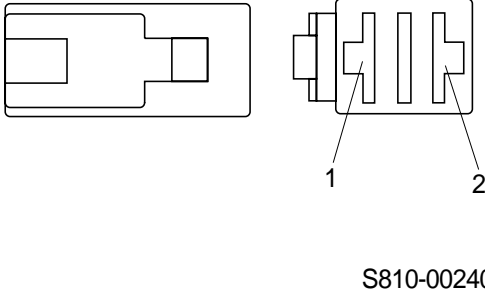
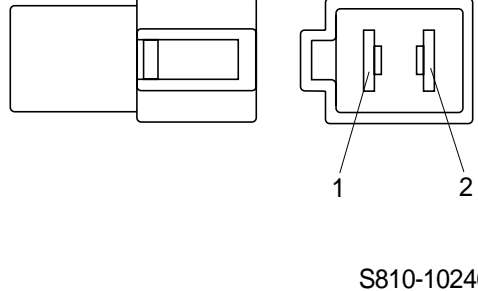
No. of pin	Receptacle connector(Female)	Plug connector(Male)
6	 <p data-bbox="686 627 837 660">S814-006000</p>	 <p data-bbox="1244 627 1396 660">S814-106000</p>
8	 <p data-bbox="686 1041 837 1075">S814-008000</p>	 <p data-bbox="1244 1041 1396 1075">S814-108000</p>
12	 <p data-bbox="686 1444 837 1478">S814-012000</p>	 <p data-bbox="1244 1444 1396 1478">S814-112000</p>
14	 <p data-bbox="686 1848 837 1881">S814-014000</p>	 <p data-bbox="1244 1848 1396 1881">S814-114000</p>

#### 4) CN TYPE CONNECTOR

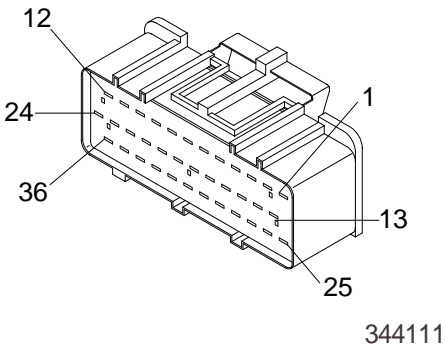
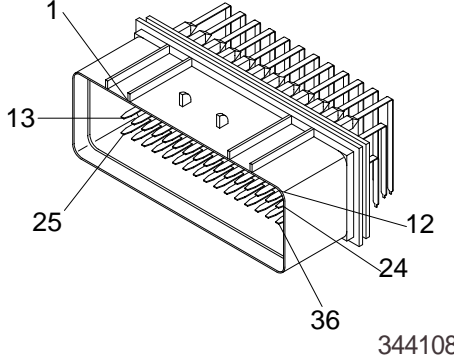
No. of pin	Receptacle connector(Female)	Plug connector(Male)
1	 <p style="text-align: center;">S810-001202</p>	 <p style="text-align: center;">S810-101202</p>
2	 <p style="text-align: center;">S810-002202</p>	 <p style="text-align: center;">S810-102202</p>
3	 <p style="text-align: center;">S810-003202</p>	 <p style="text-align: center;">S810-103202</p>
4	 <p style="text-align: center;">S810-004202</p>	 <p style="text-align: center;">S810-104202</p>

No. of pin	Receptacle connector(Female)	Plug connector(Male)
6	 <p data-bbox="686 627 837 660">S810-006202</p>	 <p data-bbox="1244 627 1396 660">S810-106202</p>
8	 <p data-bbox="686 1030 837 1064">S810-008202</p>	 <p data-bbox="1244 1030 1396 1064">S810-108202</p>

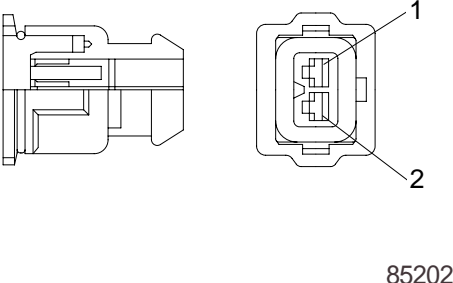
### 5) 375 FASTEN TYPE CONNECTOR

No. of pin	Receptacle connector(Female)	Plug connector(Male)
2	 <p style="text-align: center;">S810-002402</p>	 <p style="text-align: center;">S810-102402</p>

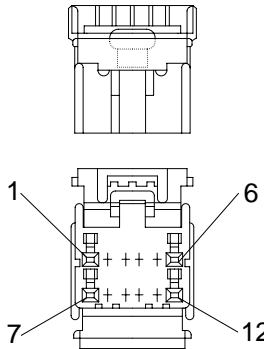
### 6) AMP ECONOSEAL CONNECTOR

No. of pin	Receptacle connector(Female)	Plug connector(Male)
36	 <p style="text-align: center;">344111-1</p>	 <p style="text-align: center;">344108-1</p>

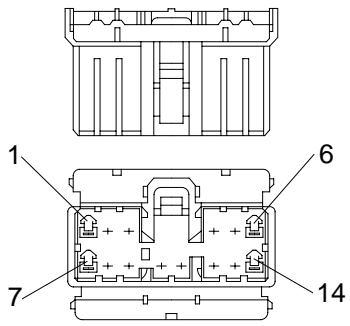
### 7) AMP TIMER CONNECTOR

No. of pin	Receptacle connector(Female)	Plug connector(Male)
2	 <p style="text-align: center;">85202-1</p>	

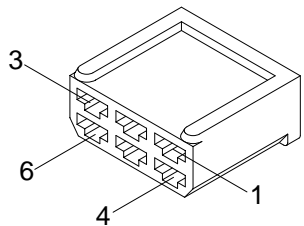
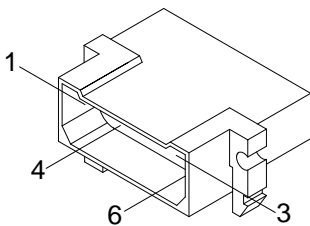
### 8) AMP 040 MULTILOCK CONNECTOR

No. of pin	Receptacle connector(Female)	Plug connector(Male)
12	 <p style="text-align: right;">174045-2</p>	

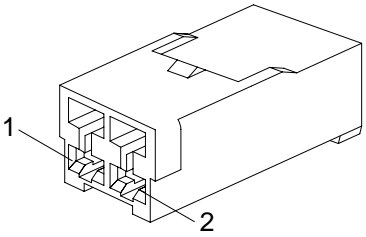
### 9) AMP 070 MULTILOCK CONNECTOR

No. of pin	Receptacle connector(Female)	Plug connector(Male)
14	 <p style="text-align: right;">173852</p>	

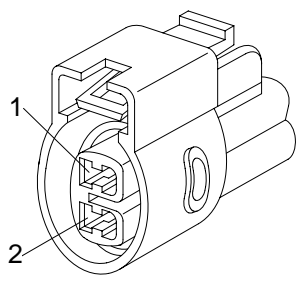
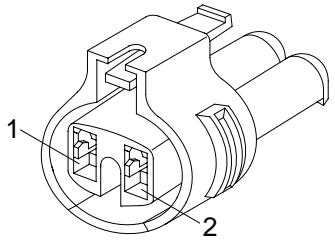
### 10) AMP FASTIN - FASTON CONNECTOR

No. of pin	Receptacle connector(Female)	Plug connector(Male)
6	 <p style="text-align: right;">925276-0</p>	 <p style="text-align: right;">480003-9</p>

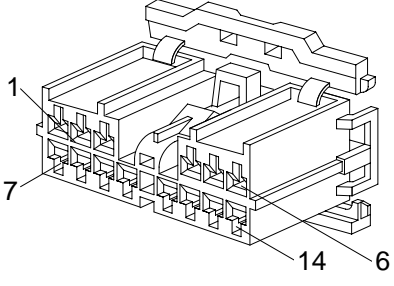
### 11) KET 090 CONNECTOR

No. of pin	Receptacle connector(Female)	Plug connector(Male)
2	 <p data-bbox="710 672 837 705">MG610070</p>	

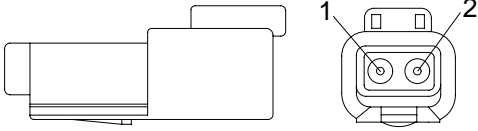
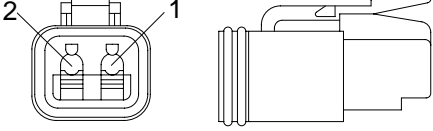
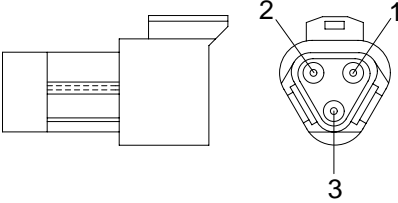
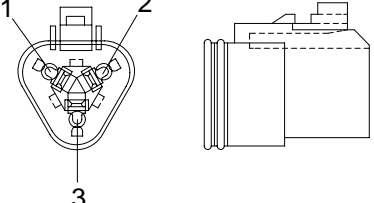
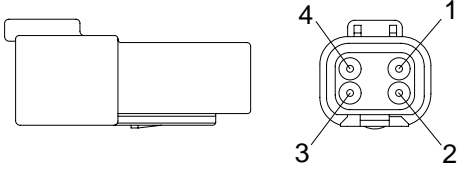
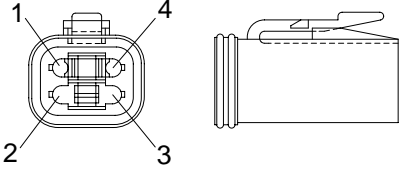
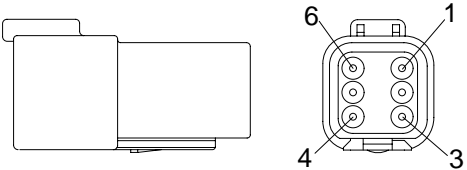
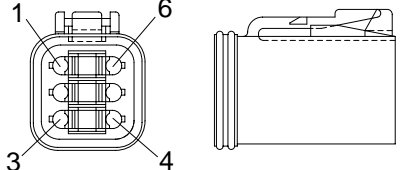
### 12) KET 090 WP CONNECTORS

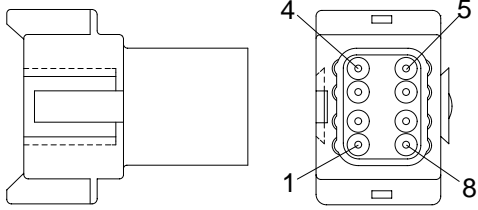
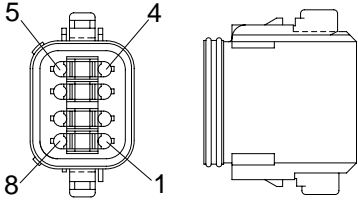
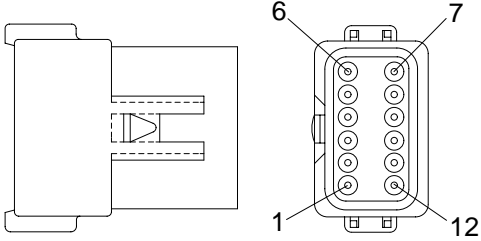
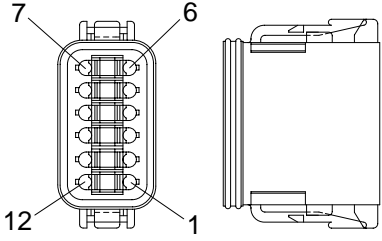
No. of pin	Receptacle connector(Female)	Plug connector(Male)
2	 <p data-bbox="710 1276 837 1310">MG640605</p>	
2	 <p data-bbox="710 1680 837 1713">MG640795</p>	

### 13)KET SDL CONNECTOR

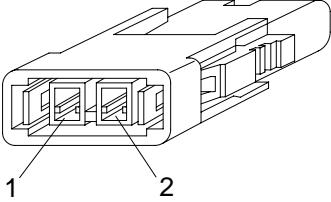
No. of pin	Receptacle connector(Female)	Plug connector(Male)
14	 <p>MG610406</p>	

### 14) DEUTSCH DT CONNECTORS

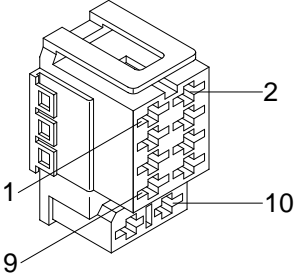
No. of pin	Receptacle connector(Female)	Plug connector(Male)
2	 <p style="text-align: center;">DT06-2S</p>	 <p style="text-align: center;">DT06-2P</p>
3	 <p style="text-align: center;">DT06-3S</p>	 <p style="text-align: center;">DT06-3P</p>
4	 <p style="text-align: center;">DT06-4S</p>	 <p style="text-align: center;">DT06-4P</p>
6	 <p style="text-align: center;">DT06-6S</p>	 <p style="text-align: center;">DT06-6P</p>

No. of pin	Receptacle connector(Female)	Plug connector(Male)
8	 <p style="text-align: right;">DT06-8S</p>	 <p style="text-align: right;">DT06-8P</p>
12	 <p style="text-align: right;">DT06-12S</p>	 <p style="text-align: right;">DT06-12P</p>

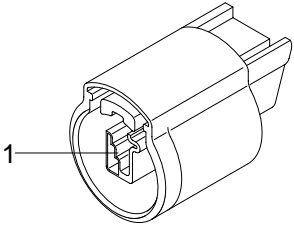
**15) MOLEX 2CKTS CONNECTOR**

No. of pin	Receptacle connector(Female)	Plug connector(Male)
2	 <p data-bbox="703 678 836 707">35215-0200</p>	

**16)ITT SWF CONNECTOR**

No. of pin	Receptacle connector(Female)	Plug connector(Male)
10	 <p data-bbox="699 1279 836 1308">SWF593757</p>	

**17)MWP NMWP CONNECTOR**

No. of pin	Receptacle connector(Female)	Plug connector(Male)
1	 <p data-bbox="687 1883 836 1912">NMWP01F-B</p>	