

SECTION 4 ELECTRICAL SYSTEM

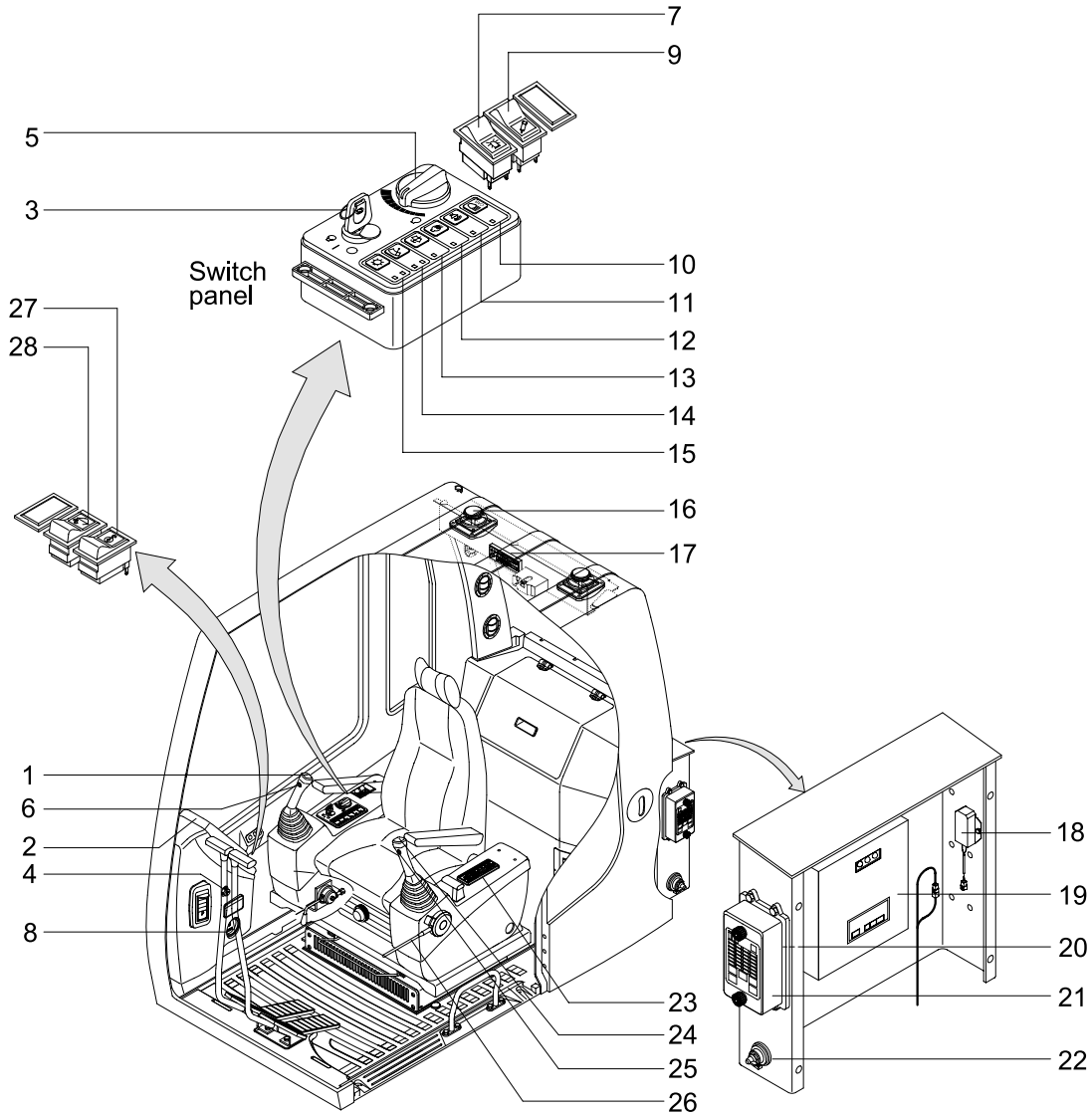


Group 1 Component Location ----- 4-1
Group 2 Electrical Circuit ----- 4-3
Group 3 Electrical Component Specification ----- 4-19
Group 4 Connectors ----- 4-28

SECTION 4 ELECTRICAL SYSTEM

GROUP 1 COMPONENT LOCATION

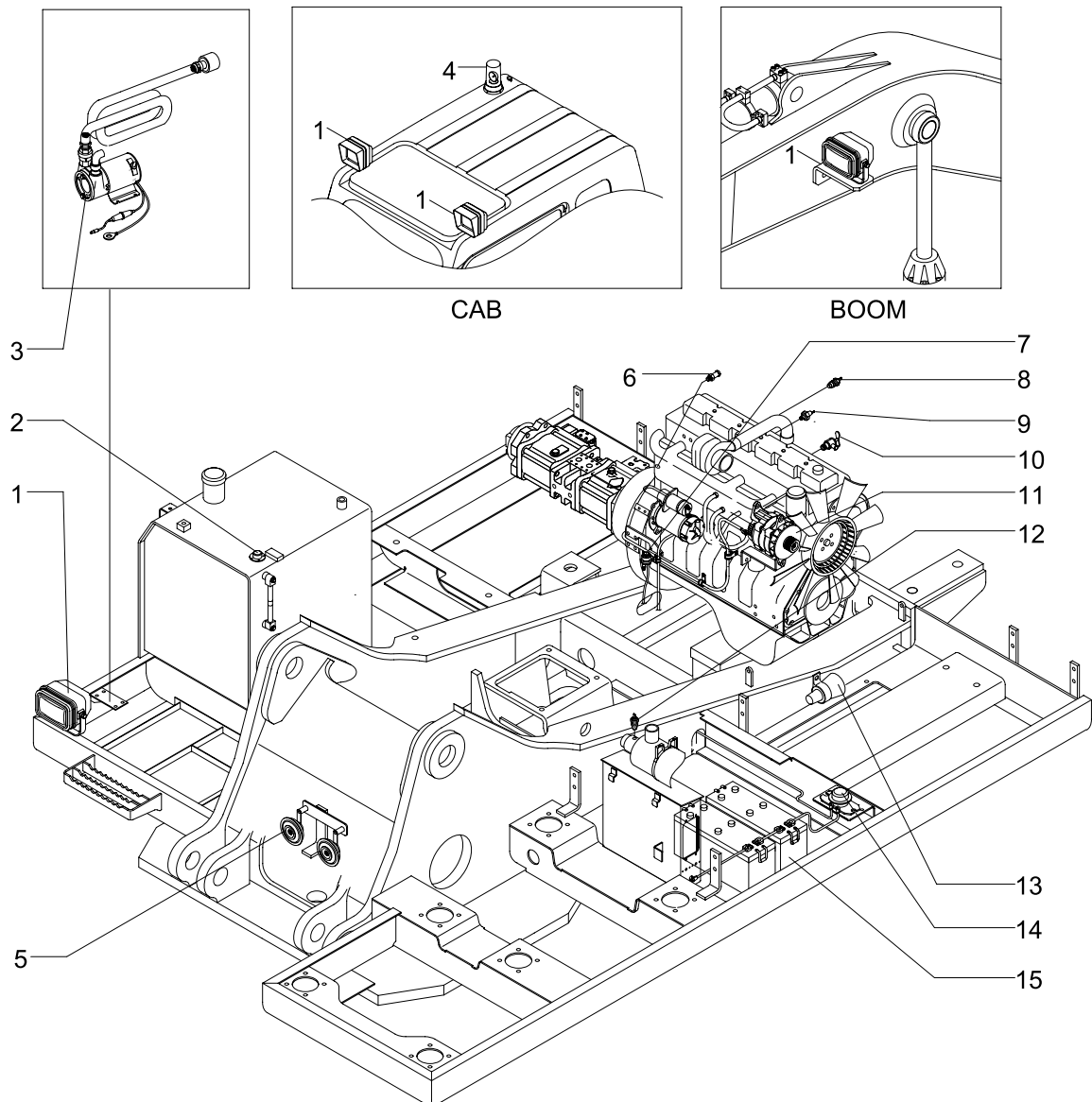
1. LOCATION 1



32074EL01

- | | | | | | |
|----|--------------------------|----|--------------------------|----|------------------------------|
| 1 | Horn switch | 11 | Travel alarm stop switch | 20 | RS232 serial port |
| 2 | Cluster | 12 | Preheat switch | 21 | Fuse box |
| 3 | Starting switch | 13 | Washer switch | 22 | Master switch |
| 4 | Cigar lighter | 14 | Wiper switch | 23 | Aircon & heater switch panel |
| 5 | Accel dial | 15 | Main light switch | 24 | One touch decel switch |
| 6 | Breaker switch | 16 | Speaker | 25 | Power max switch |
| 7 | Beacon switch | 17 | Cassette & radio | 26 | Safety lever |
| 8 | Service meter | 18 | Resistor | 27 | Overload switch |
| 9 | Breaker selection switch | 19 | CPU controller | 28 | Quick coupling switch |
| 10 | Cab light switch | | | | |

2. LOCATION 2



32074EL02

- | | | | | | |
|---|------------------|----|----------------------------|----|---------------------|
| 1 | Lamp | 6 | Speed sensor | 11 | Alternator |
| 2 | Fuel sender | 7 | Start relay | 12 | Air cleaner switch |
| 3 | Fuel filler pump | 8 | Temp sender | 13 | Travel alarm buzzer |
| 4 | Beacon lamp | 9 | Engine oil pressure switch | 14 | Battery relay |
| 5 | Horn | 10 | Heater valve | 15 | Battery |