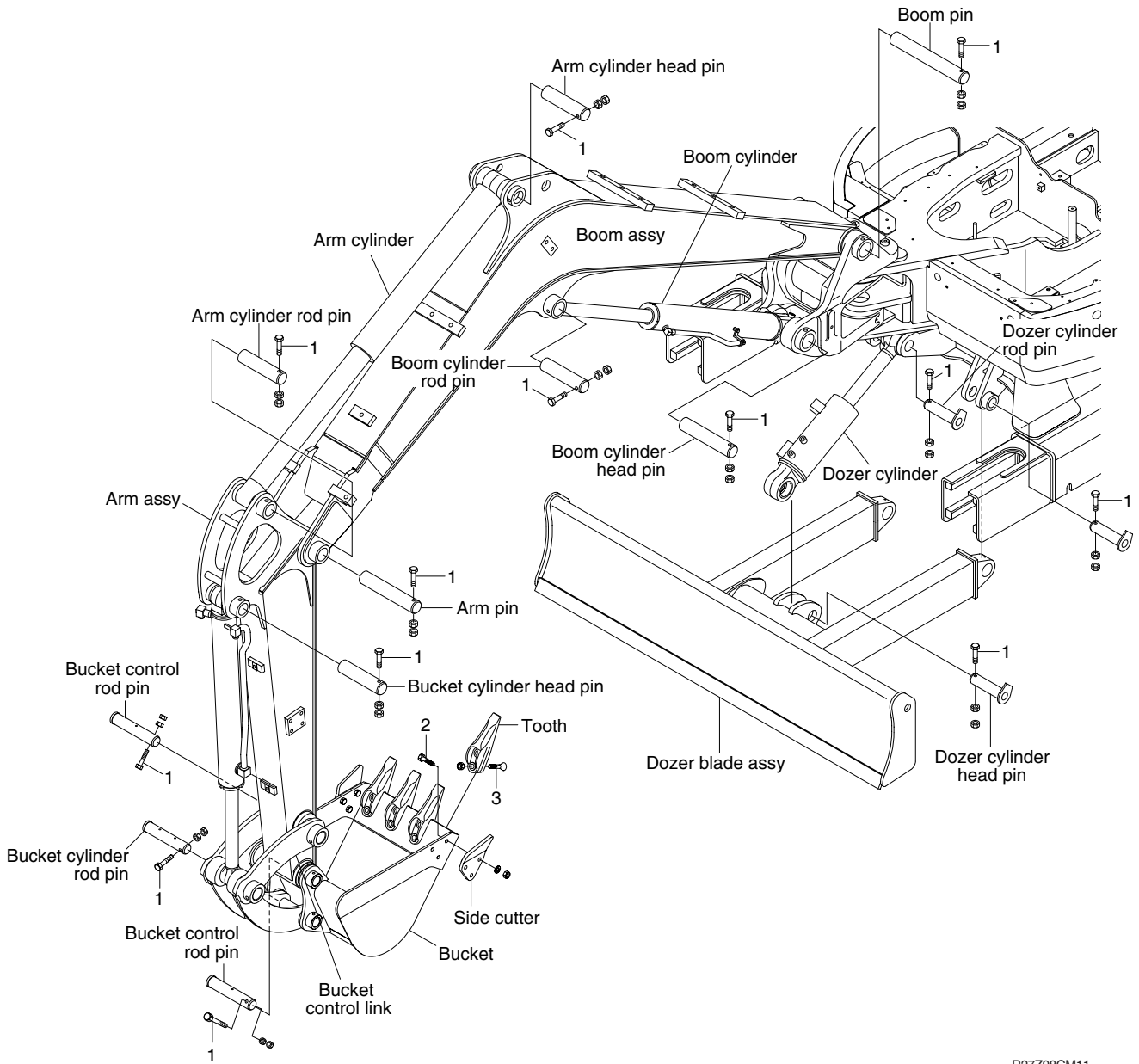


GROUP 7 WORK EQUIPMENT



R27Z98CM11

· Tightening torque

Item	Size	kgf · m	lbf · ft
2	M10×1.5	6.0±1.4	43.4±10.1
2	M12×1.75	12.8±3.0	92.6±21.7

Item	Size	kgf · m	lbf · ft
3	M16×1.5	31.3±4.7	226±34