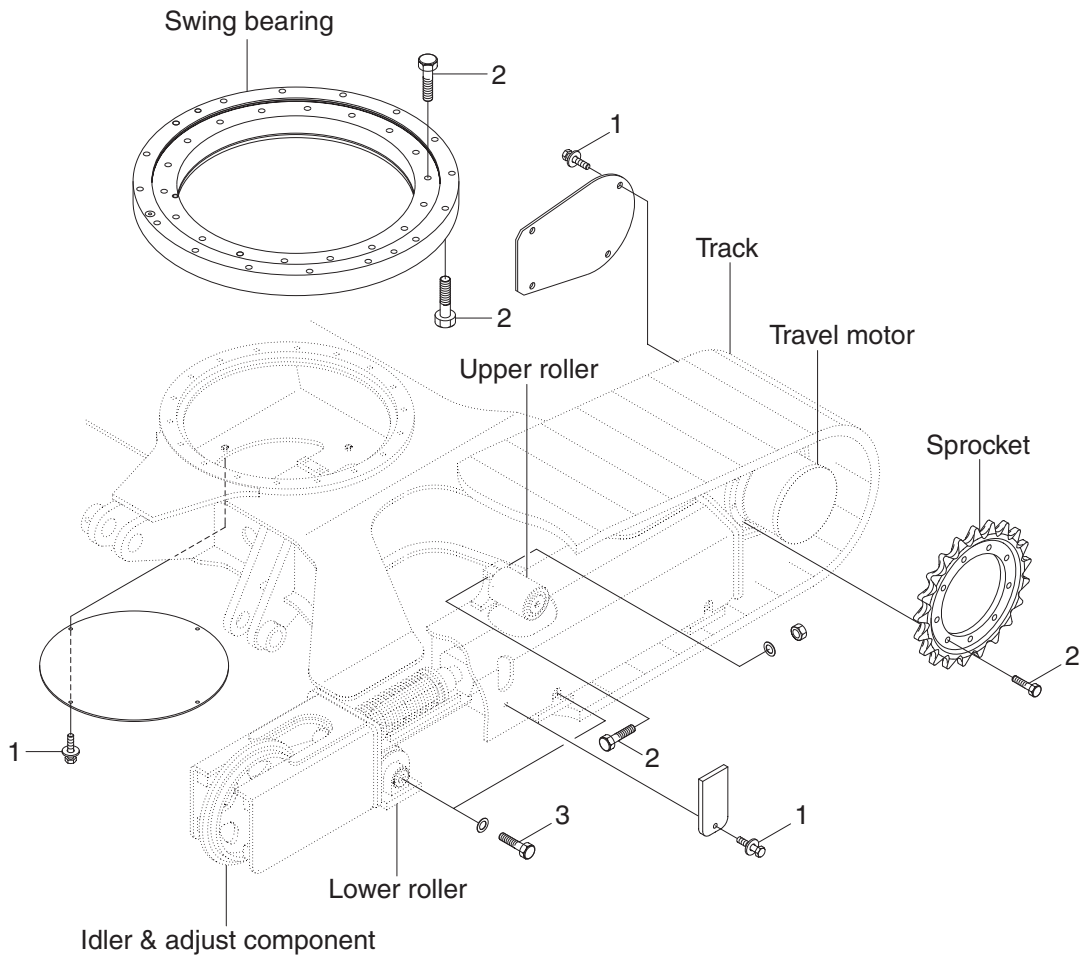


GROUP 5 UNDERCARRIAGE



R27Z98CM08

· Tightening torque

Item	Size	kgf · m	lbf · ft
1	M10×1.5	6.9±1.4	49.9±10.1
2	M12×1.75	12.3±1.2	89±8.7

Item	Size	kgf · m	lbf · ft
3	M16×2.0	29.7±3	215±21.7