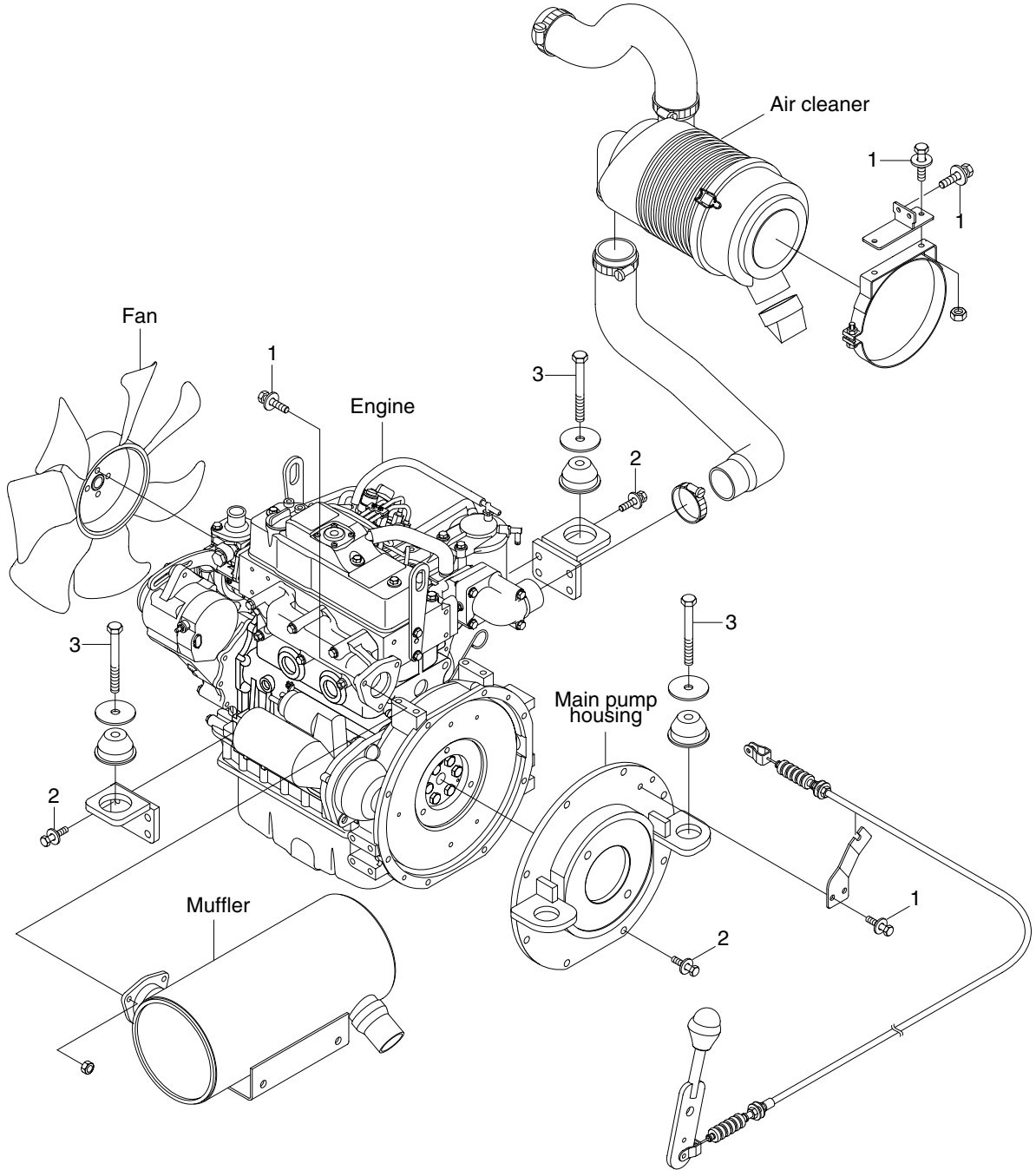


GROUP 2 ENGINE SYSTEM

1. ENGINE AND ACCESSORIES MOUNTING



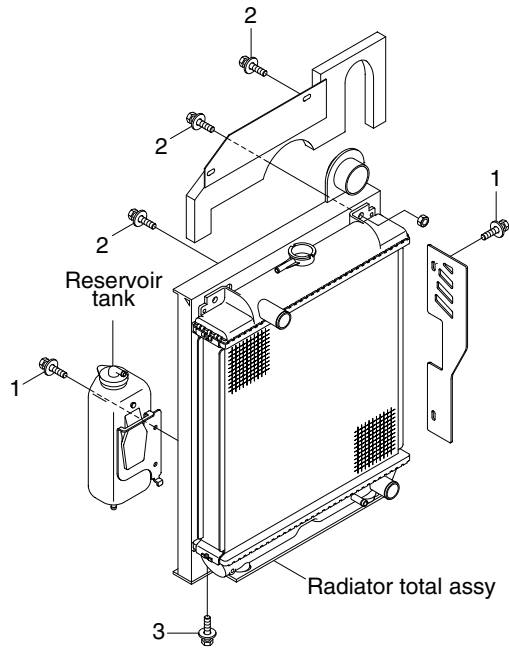
R27Z98CM01

• Tightening torque

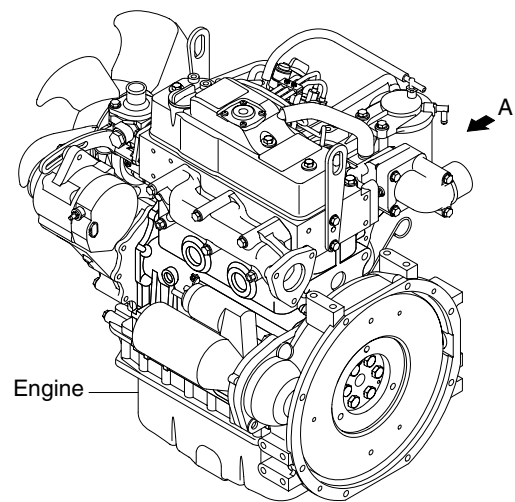
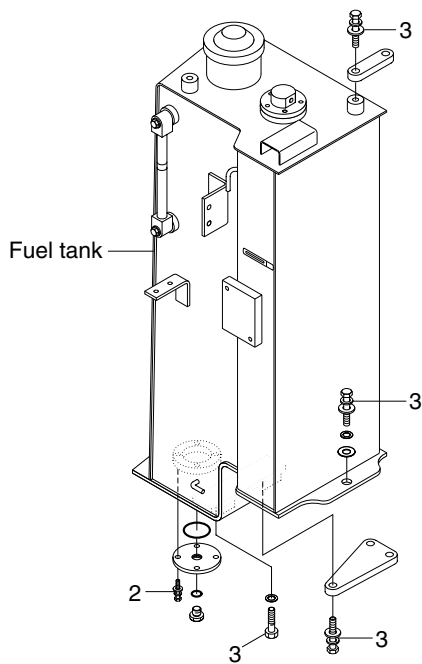
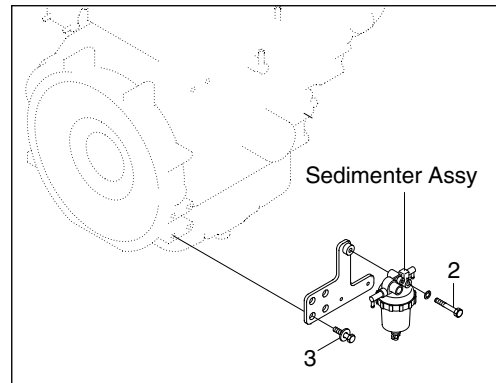
Item	Size	kgf · m	lbf · ft
1	M 8×1.25	2.5±0.5	18.1±3.6
2	M10×1.2	7.3±1.0	52.8±7.2

Item	Size	kgf · m	lbf · ft
3	M12×1.75	10±1.0	72.3±7.2

2. COOLING SYSTEM AND FUEL TANK MOUNTING



VIEW A



R27Z98CM02

· Tightening torque

Item	Size	kgf · m	lbf · ft
1	M 6×1.0	1.05±0.2	7.6±1.45
2	M 8×1.25	2.5±0.5	18.1±3.6

Item	Size	kgf · m	lbf · ft
3	M 12×1.75	12.8±3.0	92.6±21.7