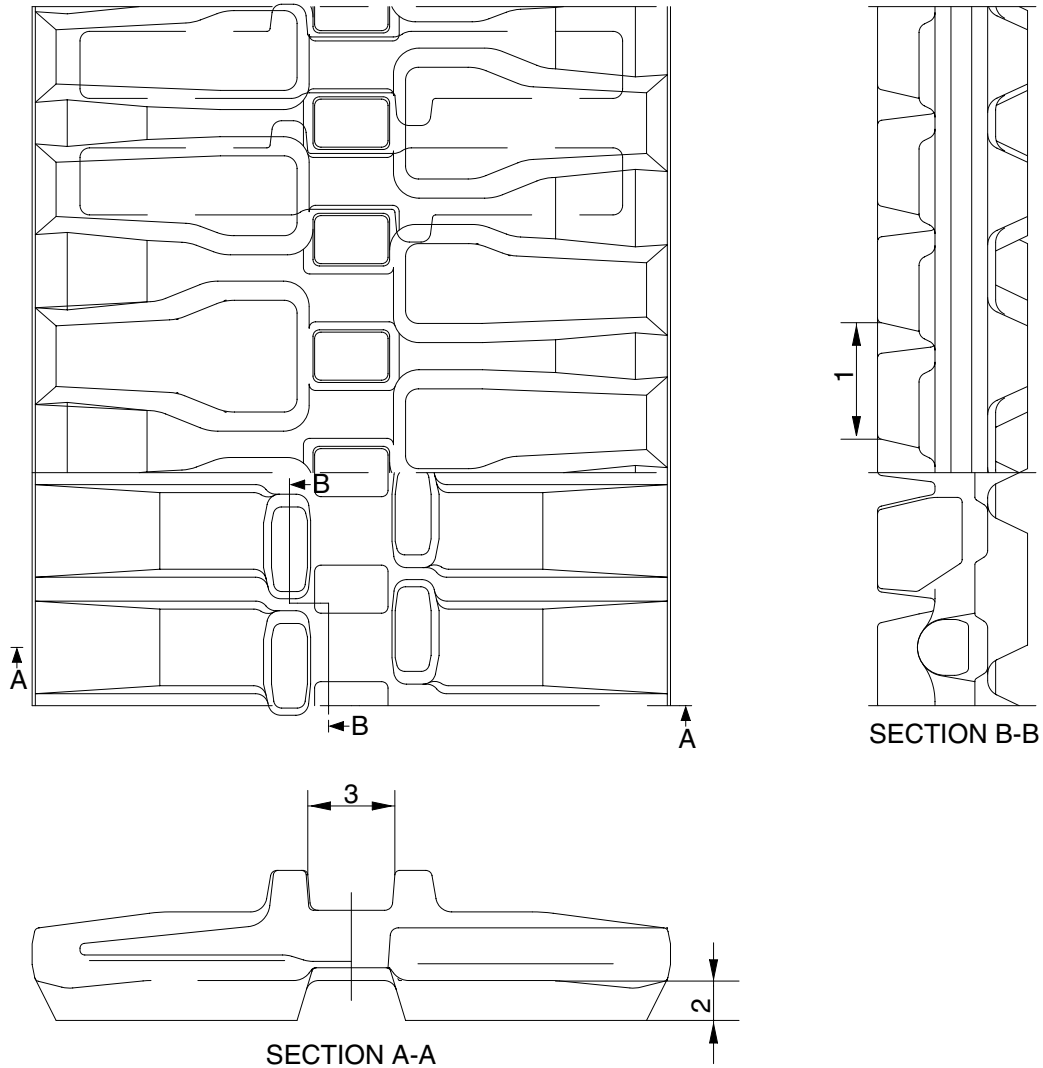


GROUP 3 TRACK AND WORK EQUIPMENT

1. TRACK SHOE

1) RUBBER SHOE SPEC

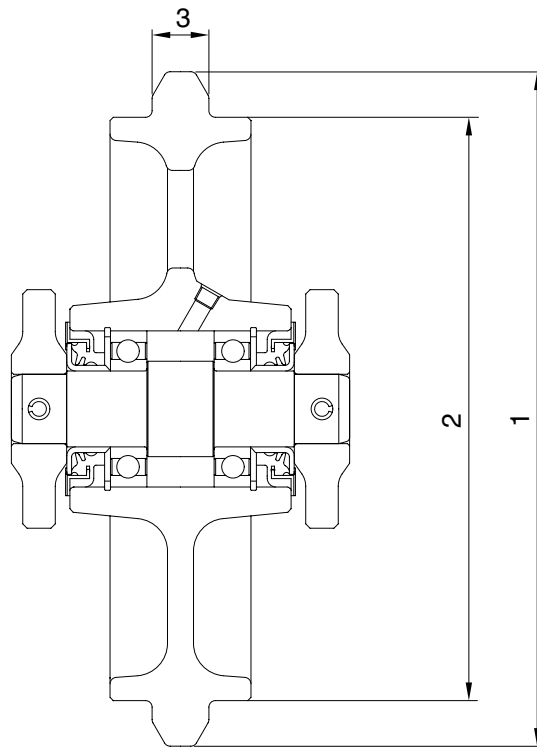


R5576MC17

Unit : mm

No	Check item	Criteria		Remedy
		Standard size	Repair limit	
1	Link pitch	52.5	54.5	Replace
2	Height of grouser	22	5	
3	Width of link	34	46	

2. IDLER

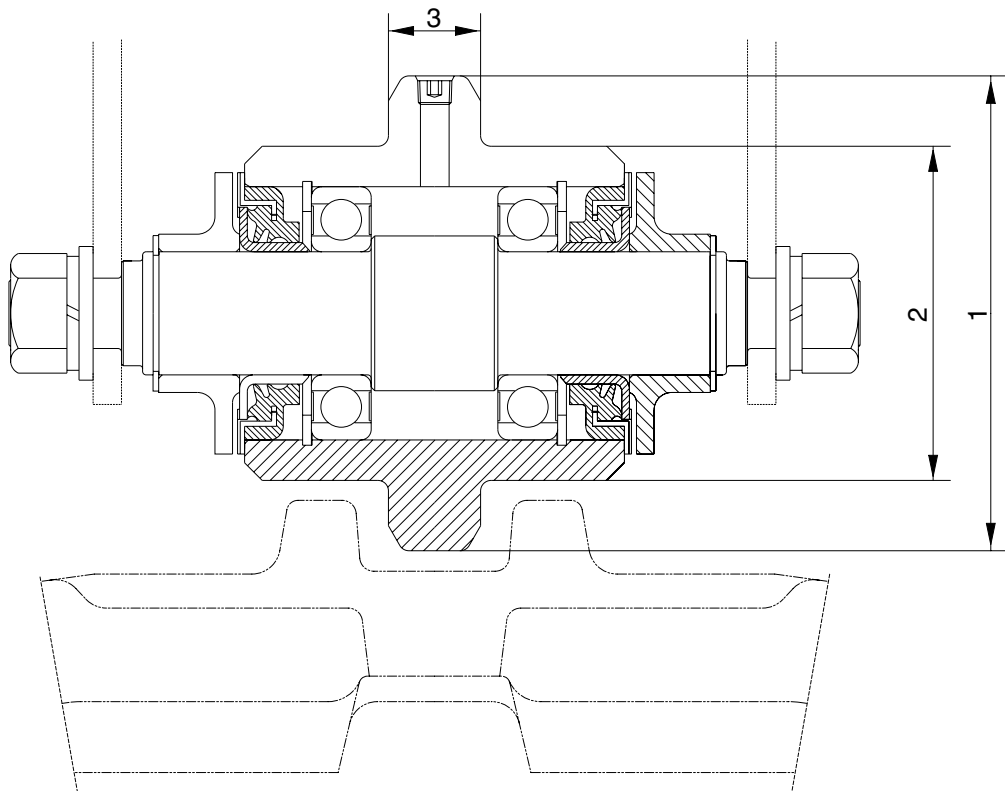


R27Z96MC23

Unit : mm

No	Check item		Criteria		Remedy
			Standard size	Repair limit	
1	Outside diameter of flange	Rubber	311	-	Rebuild or replace
2	Outside diameter of thread	Rubber	269	263	
3	Width of flange		26.2	20.2	

3. TRACK ROLLER

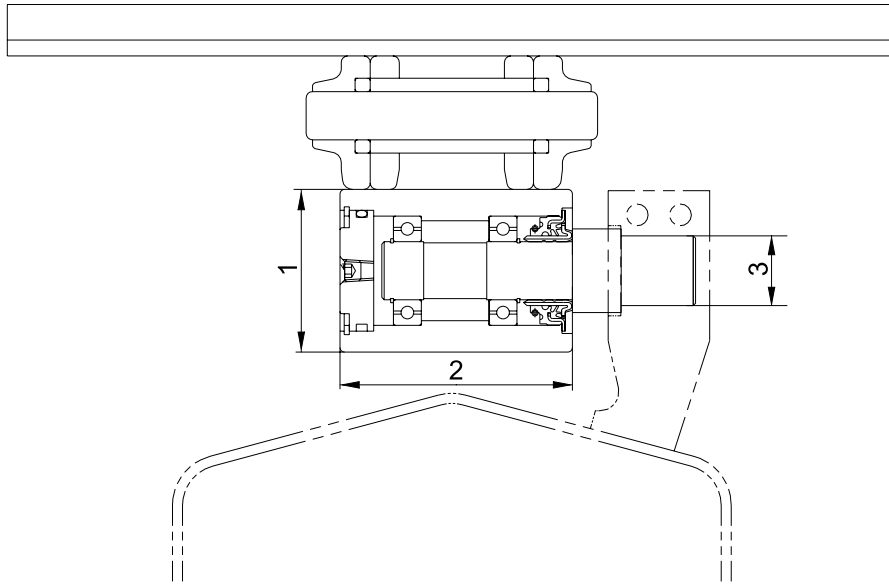


R35Z76MC19

Unit : mm

No	Check item		Criteria		Remedy
			Standard size	Repair limit	
1	Outside diameter of flange	Rubber	131	-	Rebuild or replace
2	Outside diameter of thread	Rubber	95	89	
3	Width of flange		26.2	20.2	

4. CARRIER ROLLER

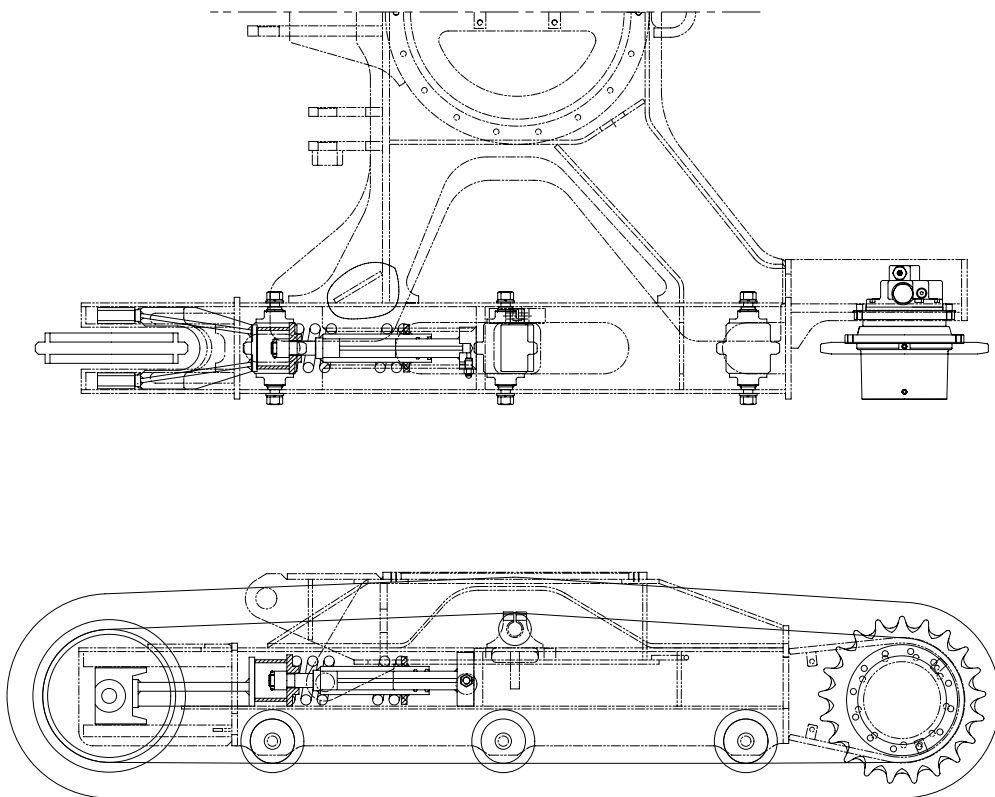


R35Z76MC20

Unit : mm

No	Check item	Criteria		Remedy
		Standard size	Repair limit	
1	Outside diameter of flange	ø 70	ø 66	Replace
2	Width of tread	ø 100	-	
3	Diameter of shaft	ø 30	-	

5. TENSION CYLINDER

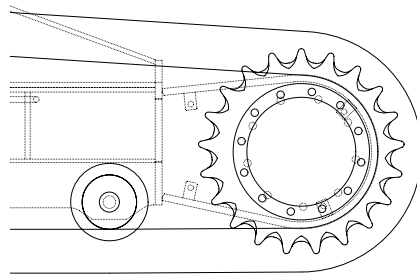
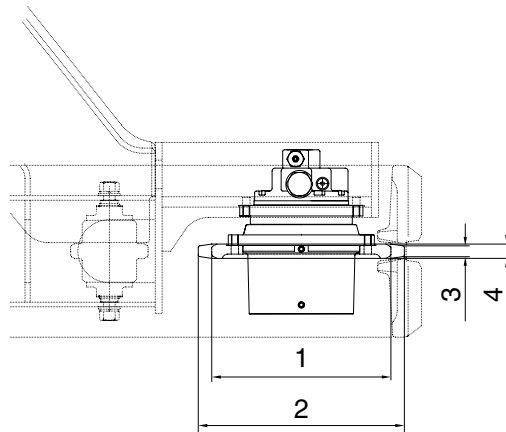


R27Z96MC20

Unit : mm

No	Check item	Criteria					Remedy
		Standard size			Repair limit		
1	Vertical width of idler guide	Track frame	112			114	Rebuild
		Idler support	110			112	Rebuild or replace
2	Horizontal width of idler guide	Track frame	160			164	Rebuild
		Idler guide	156			152	Rebuild or replace
3	Recoil spring	Standard size			Repair limit		Replace
		Free length	Installed length	Installed load	Free length	Installed load	
		280	230	1,700 kg	-	1,360 kg	

6. SPROCKET

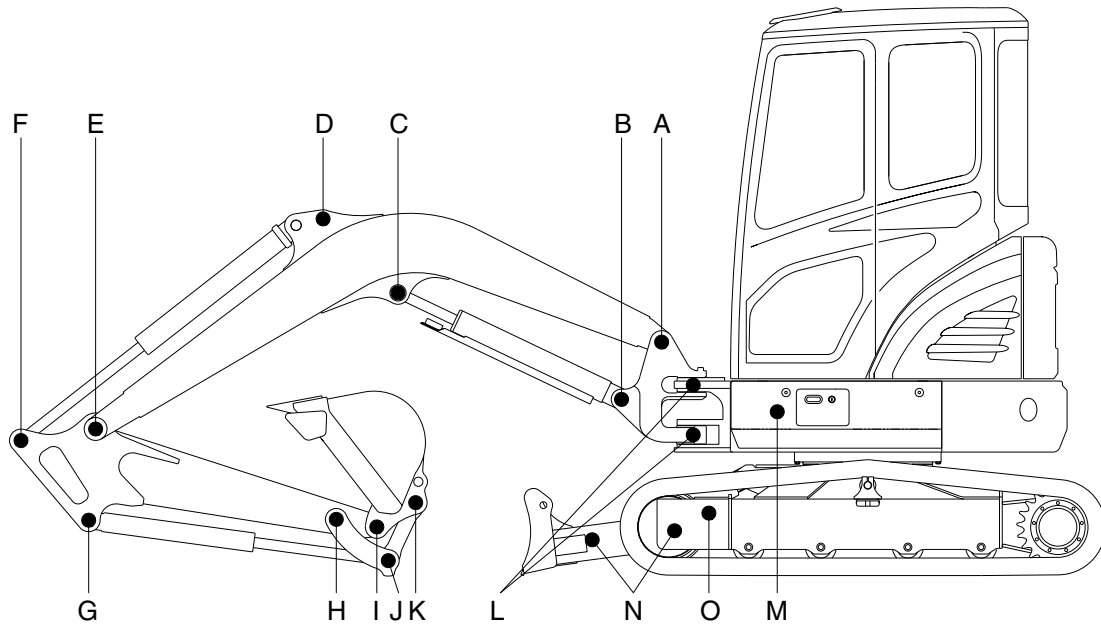


R27Z96MC22

Unit : mm

No	Check item	Criteria		Remedy
		Standard size	Repair limit	
1	Wear out of sprocket tooth lower side diameter	313.72	304.72	Repair or Replace
2	Wear out of sprocket tooth upper side diameter	359.75	-	
3	Wear out of sprocket tooth upper side width	18	-	
4	Wear out of sprocket tooth lower side width	25	17	

7. WORK EQUIPMENT



R35Z76MC30

Unit : mm

Mark	Measuring point (Pin and Bushing)	Normal value	Pin		Bushing		Remedy & Remark
			Recomm. service limit	Limit of use	Recomm. service limit	Limit of use	
A	Boom rear	40	39	38.5	40.5	41	Replace
B	Boom cylinder head	40	39	38.5	40.5	41	"
C	Boom cylinder rod	40	39	38.5	40.5	41	"
D	Arm cylinder head	35	34	33.5	35.5	36	"
E	Boom front	35	34	33.5	35.5	36	"
F	Arm cylinder rod	35	34	33.5	35.5	36	"
G	Bucket cylinder head	35	34	33.5	35.5	36	"
H	Arm link	35	34	33.5	35.5	36	"
I	Bucket and arm link	35	34	33.5	35.5	36	"
J	Bucket cylinder rod	35	34	33.5	35.5	36	"
K	Bucket link	35	34	33.5	35.5	36	"
L	Boom swing post	70	69	68.5	70.5	71	"
M	Boom swing cylinder	35	34	33.5	35.5	36	"
N	Blade cylinder	35	34	33.5	35.5	36	"
O	Blade and frame link	35	34	33.5	35.5	36	"