

GROUP 5 CONNECTORS

1. CONNECTOR DESTINATION

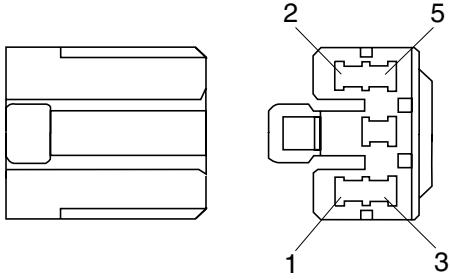
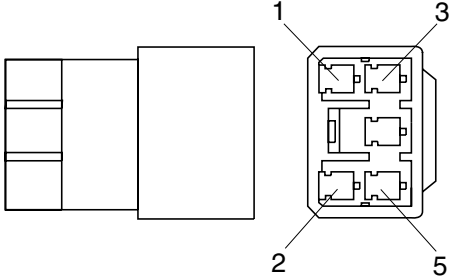
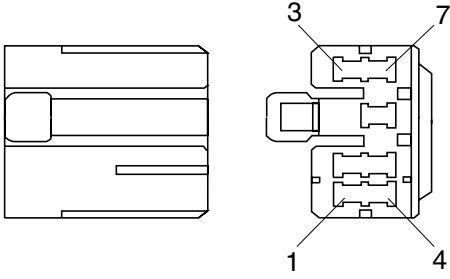
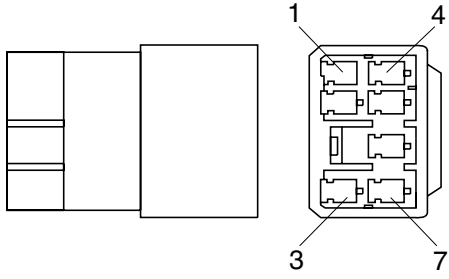
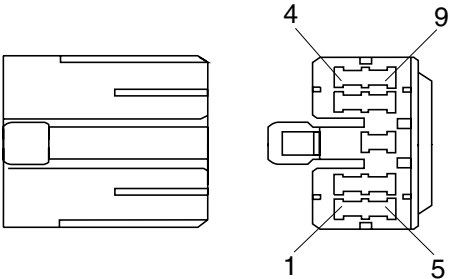
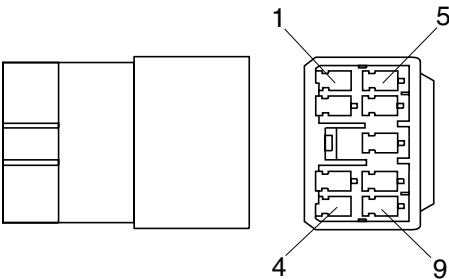
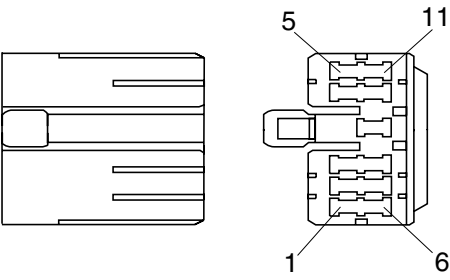
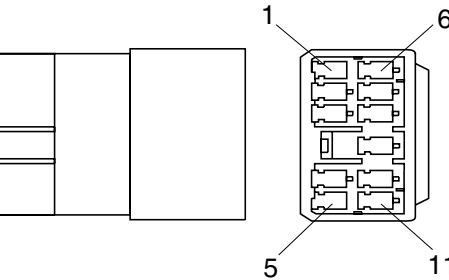
Connector number	Type	No. of pin	Destination	Connector part No.	
				Female	Male
CN-1	AMP	15	I/conn (RH console harness-main harness)	2-85262-1	368301-1
CN-2	AMP	15	I/conn (Main harness-RH console harness)	2-85262-1	368301-1
CN-3	AMP	15	I/conn (Main harness-LH console harness)	2-85262-1	368301-1
CN-4	AMP	4	I/conn (FR RH side harness-main harness)	S810-004202	S810-104202
CN-5	AMP	2	I/conn (Relay harness-main harness)	S813-030201	S813-130201
CN-6	AMP	10	I/conn (Relay harness-main harness)	174655-2	174657-2
CN-7	AMP	4	I/conn (Relay harness-main harness)	S810-004202	S810-104202
CN-8	AMP	15	I/conn (Main harness-relay harness)	2-85262-1	368301-1
CN-9	AMP	2	I/conn (Relay harness-main harness)	S813-030201	S813-130200
CN-10	AMP	2	I/conn (Main harness-cab lamp harness)	S816-002002	S816-102002
CN-11	AMP	8	I/conn (RH console harness-cab harness)	S816-008202	S816-108202
CN-11-1	AMP	2	I/conn (RH console harness-canopy harness)	S816-002002	S816-102002
CN-20	DEUTSCH	2	Horn	DT06-2S-EP06	-
CN-21	AMP	4	Wiper harness	180900-0	-
CN-22	KET	2	Washer tank	MG640605	-
CN-23	KET	1	Speaker LH	S822-014002	S822-114002
CN-24	KET	1	Speaker RH	S822-014002	S822-114002
CN-27	-	14	Cassette radio	173852-1	-
CN-36	-	-	Fuse box body	F12890010	-
CN-45	RING TERM	1	Starter	ST710258-2	-
	KET	1	Starter	MG630063	-
CN-46	AMP	4	Heater	180900-0	-
CN-48	AMP	3	Hour meter	S810-003202	-
CN-56	AMP	17	Cluster	172500-1	-
CN-60	AMP	2	Fusible link	-	S831-130200
CN-68	DEUTSCH	2	Safety solenoid	DT06-2S-EP06	-
CN-70	DEUTSCH	2	Travel HI-LO solenoid	DT06-2S-EP06	-
CN-74	YAZAKI	2	Alternator	7123-2228	-
CN-79	-	1	Fuel cut-off solenoid	S822-014000	-
CN-80	RING TERM	1	Pre heater	ST710226-2	-
CN-81	SWP	1	Travel buzzer	S822-014000	S822-114000
CN-140	DEUTSCH	2	Quick clamp	DT06-2S-EP06	DT04-2P-E005
CN-145	AMP	2	Fuel feed pump	S810-002202	-
CN-165	KET	6	Safety relay	MG610049	-
CN-167	AMP	8	Detector	S810-008202	-

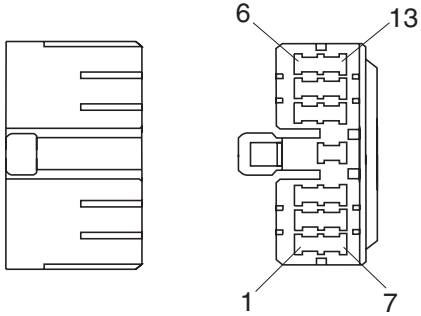
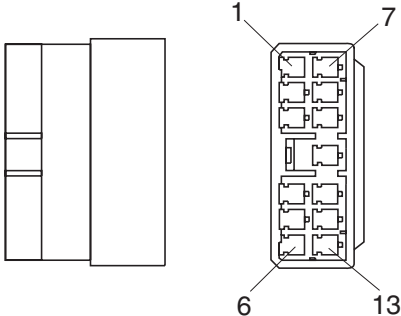
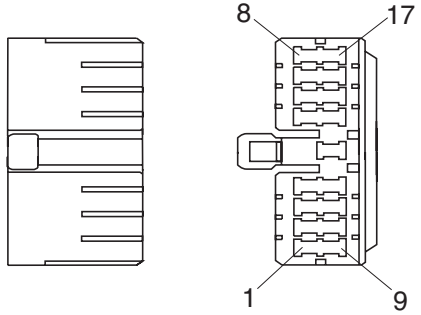
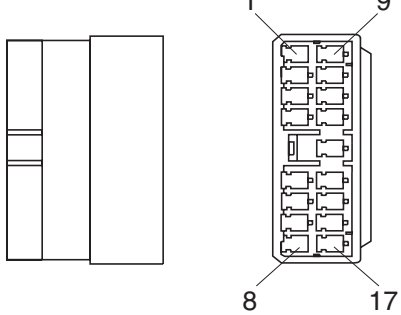
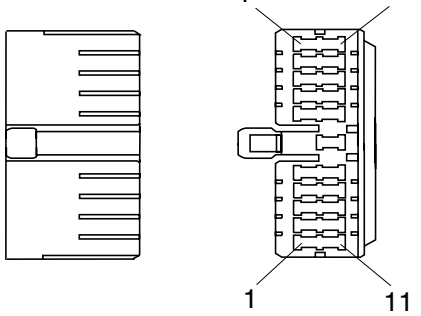
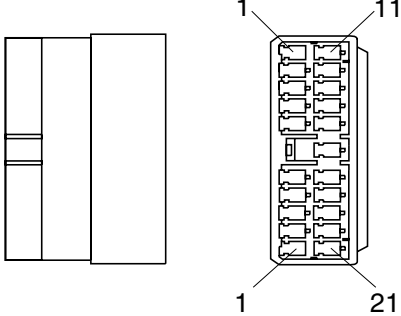
Connector number	Type	No. of pin	Destination	Connector part No.	
				Female	Male
LAMP					
CL-1	KET	2	Room lamp	MG610392	-
CL-2	AMP	3	Cigar light	S810-003202	-
CL-5	DEUTSCH	2	Work lamp	-	DT04-2P-E004
CL-7	KET	1	Beacon lamp	S822-014002	S822-114000
CL-9	-	2	Cabin lamp (canopy lamp)	-	DT04-2P-E004
CL-10	-	2	Cabin lamp (canopy lamp)	DT06-2S-PO12	DT04-2P-E004
RELAY					
CR-2	AMP	4	Horn relay	S810-004002	-
CR-23	KET	2	Start relay	MG610043	-
CR-24	SUMITOMO	6	Safety relay	6195-0021	-
CR-35	KET	4	Power relay	MG612017-5	-
CR-36	SUMITOMO	2	Safety relay	6195-0060	-
CR-50	AMP	4	Timer relay	S810-004202	-
CR-51	KET	4	Engine stop sol relay	MG612017-5	-
CR-77	KET	4	Control timer	MG620046	-
CR-79	KET	3	Control timer	MG620044	-
SENSOR					
CD-2	AMP	3	Fuel sender	S816-003002	S816-102002
CD-8	-	1	Water temp sender	ST730135-3	-
CD-9	AMP	1	Water temp switch	172320-2	-
CD-10	-	1	Air cleaner	ST730135-3	-
CD-11	KET	2	Travel pressure switch	MG640795	-
CD-12	KET	2	Travel pressure switch	MG640795	-
CD-18	-	1	Engine oil pressure	7123-2115	-
DO-3	-	2	Diode	S816-002002	21EA-50570
DO-4	-	2	Diode	S816-002002	21EA-50550
DO-6	-	2	Diode	S816-002002	21EA-50550
SWITCH					
CS-2	-	2	Start key switch	S813-030201	-
CS-3	SWF	10	Wiper switch	593757	-
CS-4	AMP	3	Safety switch	-	S814-102001
CS-5	-	1	Horn-LH switch	S822-014002	-
	-	1		-	S822-114002
CS-6	SWF	10	Heater switch	593757	-
CS-8	SWF	10	Travel speed switch	593757	-
CS-16	SWF	10	Travel alarm switch	593757	-
CS-21	SWF	10	Light switch	593757	-
CS-23	SWF	10	Beacon lamp switch	593757	-

Connector number	Type	No. of pin	Destination	Connector part No.	
				Female	Male
CS-46	KET	4	Start switch	MG651926	-
CS-67	SWF	10	Quick clamp switch	593757	-
CS-74	RING TERM	1	Battery (+)	ST710287-2	-
CS-83	SWF	10	Spare	593757	-

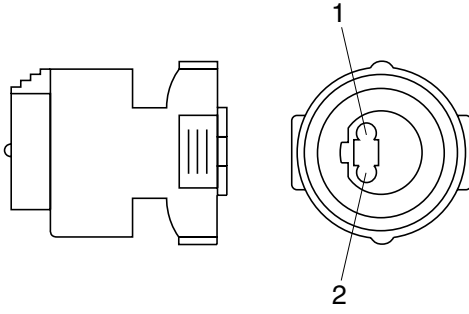
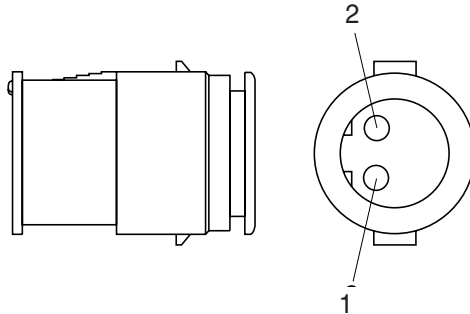
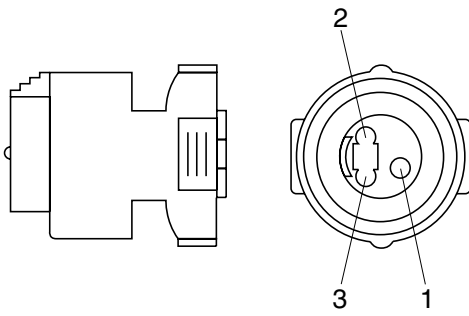
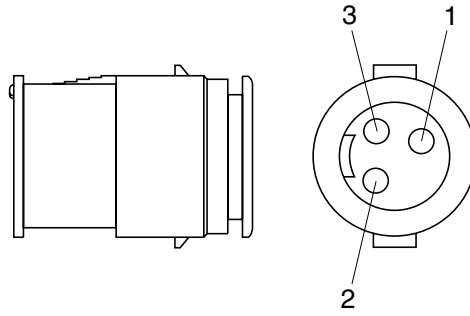
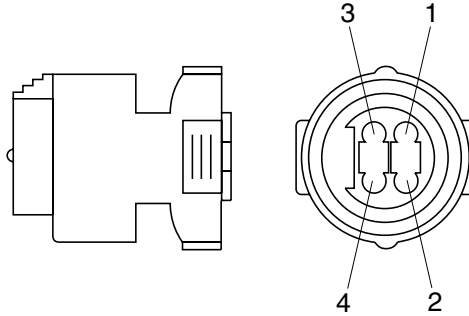
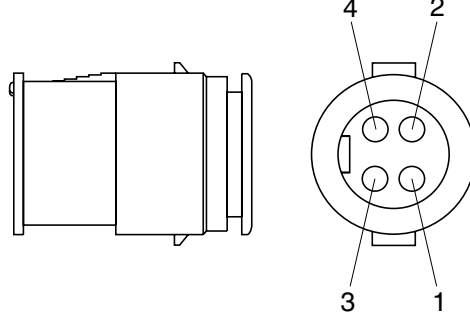
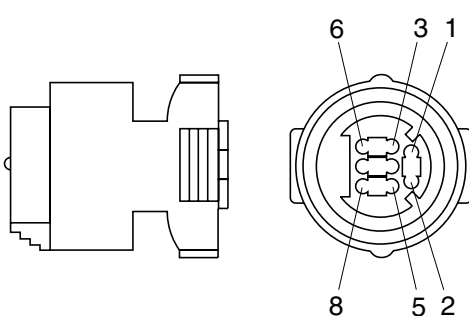
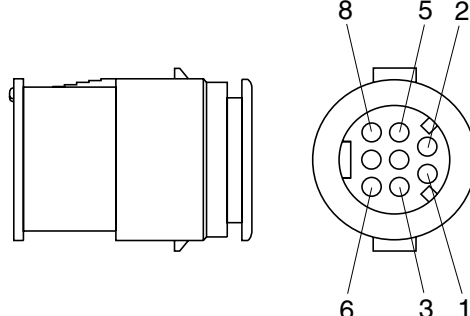
2. CONNECTION TABLE FOR CONNECTORS

1) PA TYPE CONNECTOR

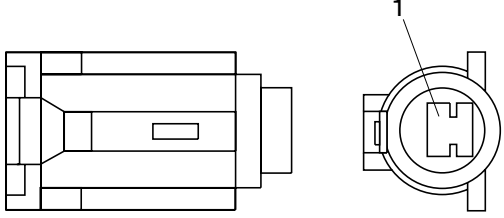
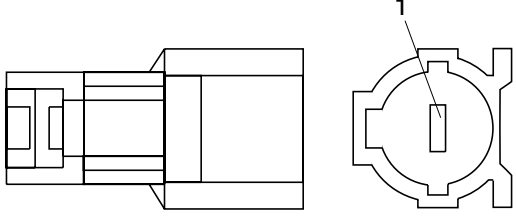
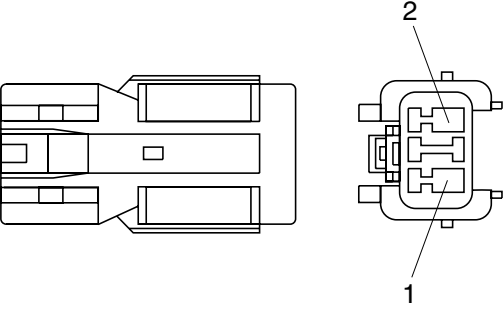
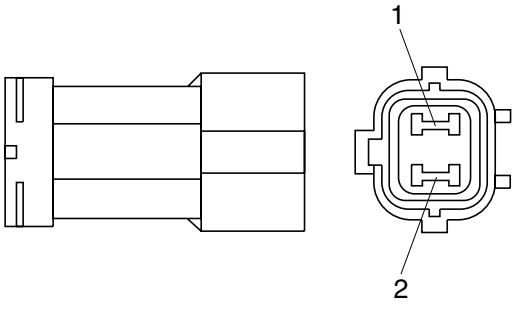
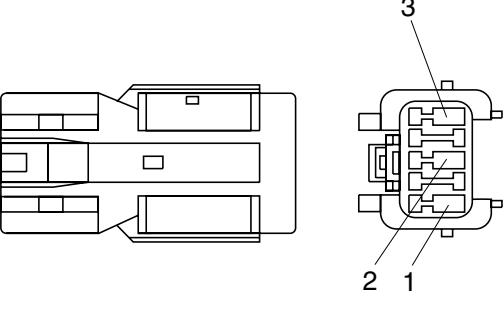
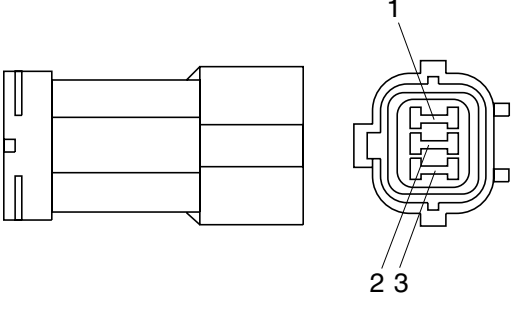
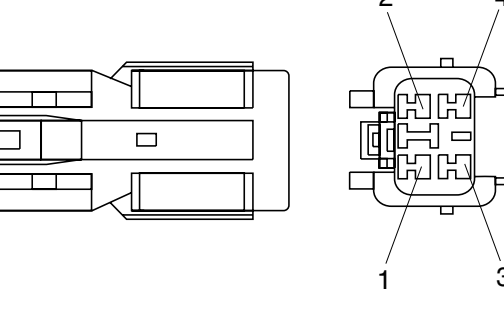
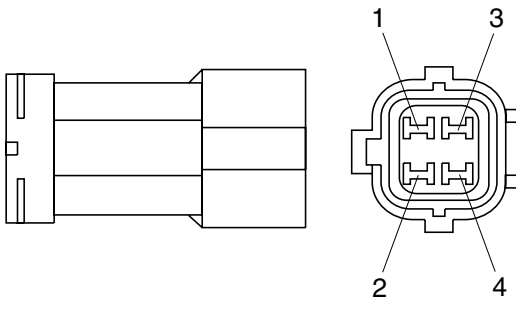
No. of pin	Receptacle connector (female)	Plug connector (male)
5	 <p style="text-align: center;">S811-005002</p>	 <p style="text-align: center;">S811-105002</p>
7	 <p style="text-align: center;">S811-007002</p>	 <p style="text-align: center;">S811-107002</p>
9	 <p style="text-align: center;">S811-009002</p>	 <p style="text-align: center;">3S811-109002</p>
11	 <p style="text-align: center;">S811-011002</p>	 <p style="text-align: center;">S811-111002</p>

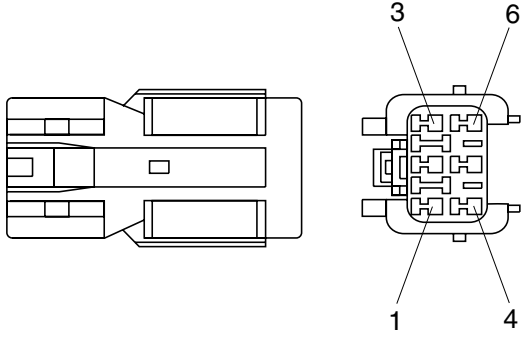
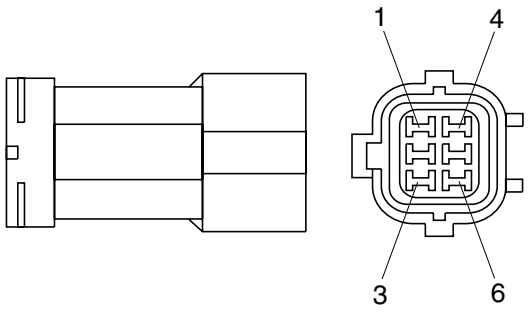
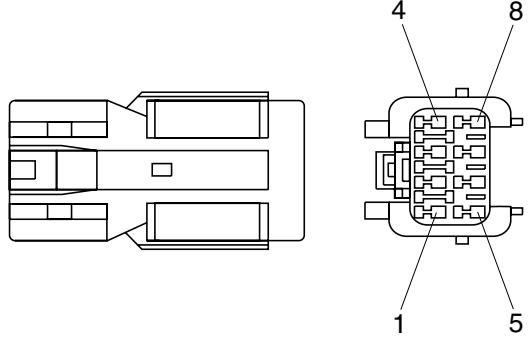
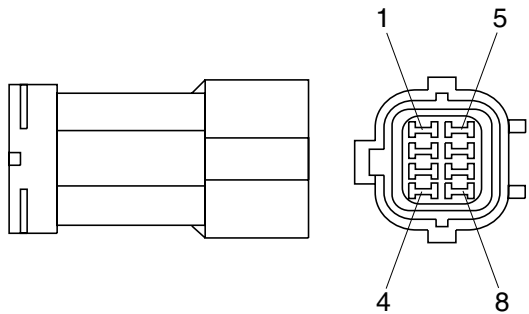
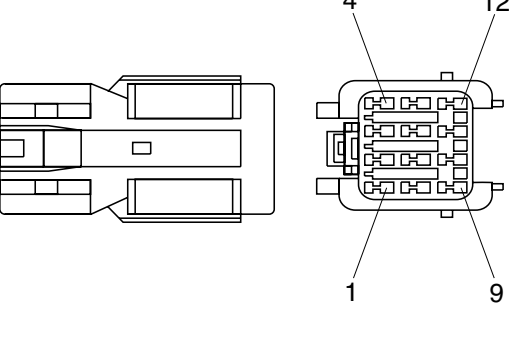
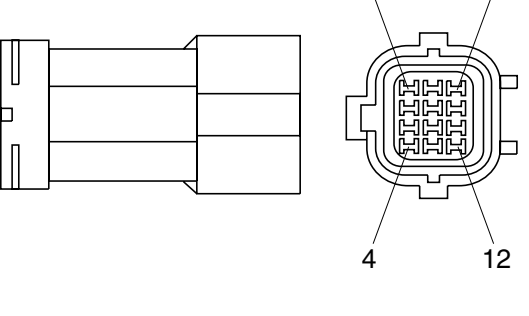
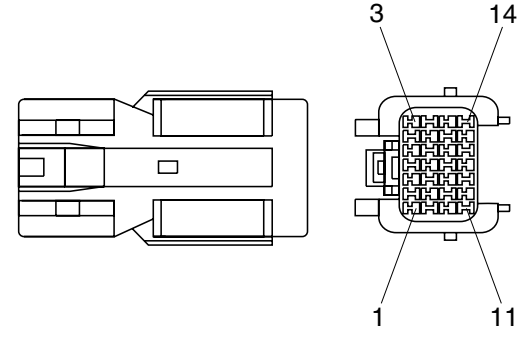
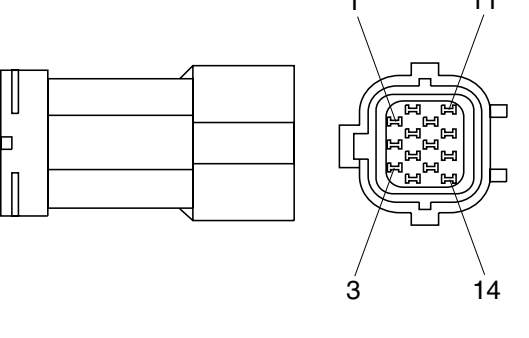
No. of pin	Receptacle connector (female)	Plug connector (male)
13	 <p data-bbox="689 633 837 667">S811-013002</p>	 <p data-bbox="1241 633 1390 667">S811-113002</p>
17	 <p data-bbox="689 1041 837 1075">S811-017002</p>	 <p data-bbox="1241 1041 1390 1075">S811-117002</p>
21	 <p data-bbox="689 1449 837 1482">S811-021002</p>	 <p data-bbox="1241 1449 1390 1482">S811-121002</p>

2) J TYPE CONNECTOR

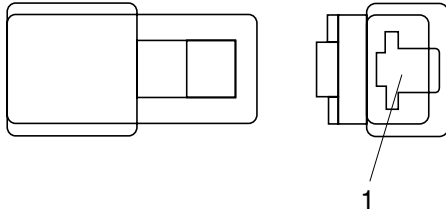
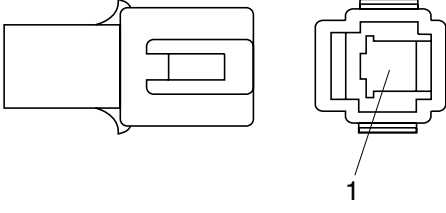
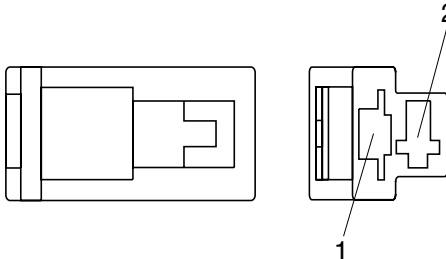
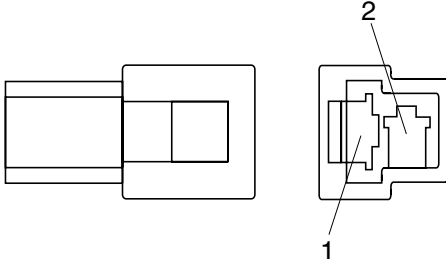
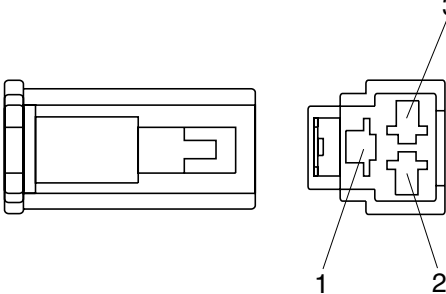
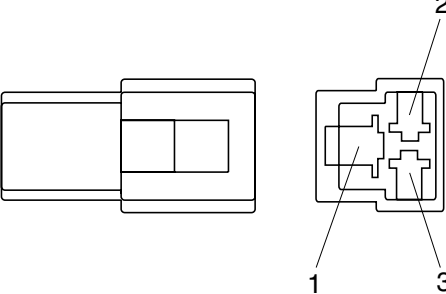
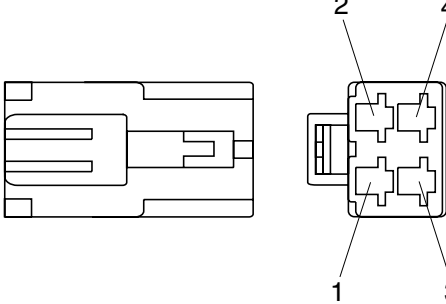
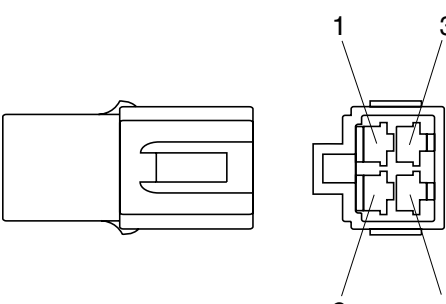
No. of pin	Receptacle connector (female)	Plug connector (male)
2	 <p style="text-align: center;">S816-002001</p>	 <p style="text-align: center;">S816-102001</p>
3	 <p style="text-align: center;">S816-003001</p>	 <p style="text-align: center;">S816-103001</p>
4	 <p style="text-align: center;">S816-004001</p>	 <p style="text-align: center;">S816-104001</p>
8	 <p style="text-align: center;">S816-008001</p>	 <p style="text-align: center;">S816-108001</p>

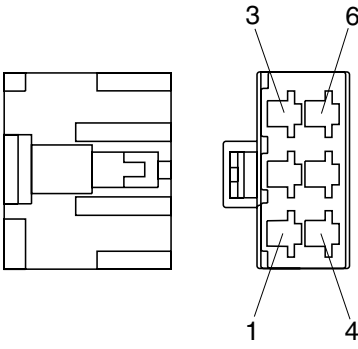
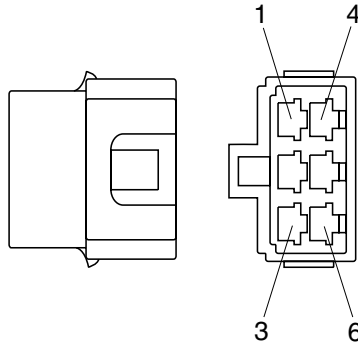
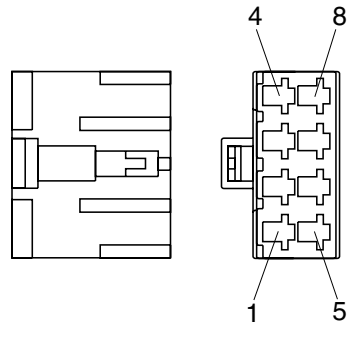
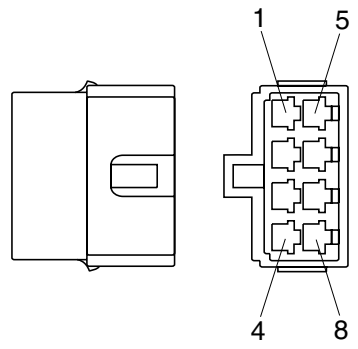
3) SWP TYPE CONNECTOR

No. of pin	Receptacle connector (female)	Plug connector (male)
1	 <p data-bbox="687 680 836 712">S814-001000</p>	 <p data-bbox="1241 680 1390 712">S814-101000</p>
2	 <p data-bbox="687 1088 836 1120">S814-002000</p>	 <p data-bbox="1241 1088 1390 1120">S814-102000</p>
3	 <p data-bbox="687 1498 836 1529">S814-003000</p>	 <p data-bbox="1241 1498 1390 1529">S814-103000</p>
4	 <p data-bbox="687 1908 836 1939">S814-004000</p>	 <p data-bbox="1241 1908 1390 1939">S814-104000</p>

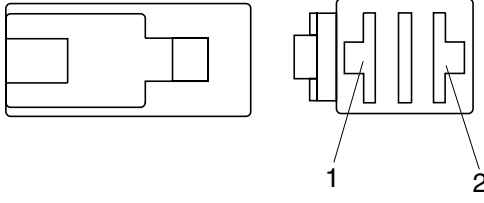
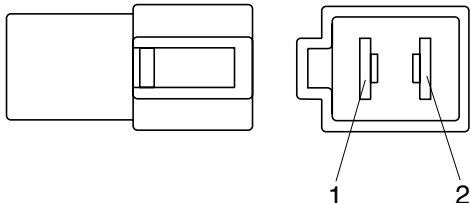
No. of pin	Receptacle connector (female)	Plug connector (male)
6	 <p data-bbox="686 638 837 672">S814-006000</p>	 <p data-bbox="1236 638 1388 672">S814-106000</p>
8	 <p data-bbox="686 1046 837 1079">S814-008000</p>	 <p data-bbox="1236 1046 1388 1079">S814-108000</p>
12	 <p data-bbox="686 1453 837 1487">S814-012000</p>	 <p data-bbox="1236 1453 1388 1487">S814-112000</p>
14	 <p data-bbox="686 1861 837 1895">S814-014000</p>	 <p data-bbox="1236 1861 1388 1895">S814-114000</p>

4) CN TYPE CONNECTOR

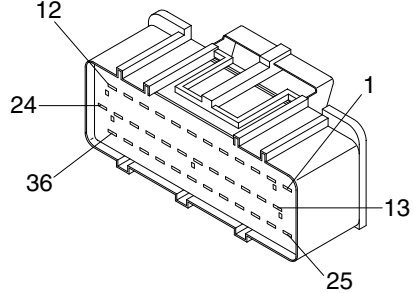
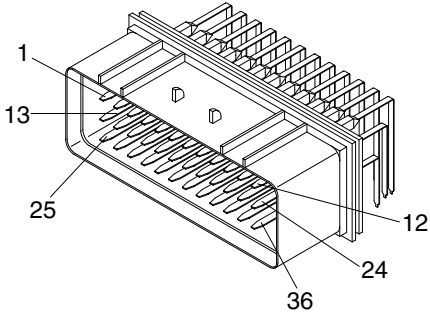
No. of pin	Receptacle connector (female)	Plug connector (male)
1	 <p style="text-align: center;">S810-001202</p>	 <p style="text-align: center;">S810-101202</p>
2	 <p style="text-align: center;">S810-002202</p>	 <p style="text-align: center;">S810-102202</p>
3	 <p style="text-align: center;">S810-003202</p>	 <p style="text-align: center;">S810-103202</p>
4	 <p style="text-align: center;">S810-004202</p>	 <p style="text-align: center;">S810-104202</p>

No. of pin	Receptacle connector (female)	Plug connector (male)
6	 <p data-bbox="686 638 837 672">S810-006202</p>	 <p data-bbox="1244 638 1396 672">S810-106202</p>
8	 <p data-bbox="686 1041 837 1075">S810-008202</p>	 <p data-bbox="1244 1041 1396 1075">S810-108202</p>

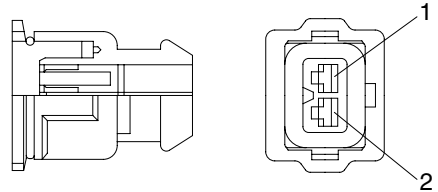
5) 375 FASTEN TYPE CONNECTOR

No. of pin	Receptacle connector (female)	Plug connector (male)
2	 <p style="text-align: center;">S810-002402</p>	 <p style="text-align: center;">S810-102402</p>

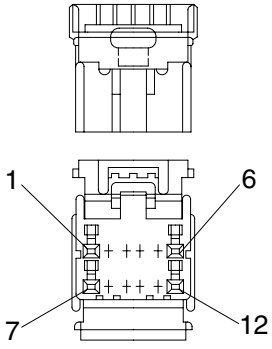
6) AMP ECONOSEAL CONNECTOR

No. of pin	Receptacle connector (female)	Plug connector (male)
36	 <p style="text-align: center;">344111-1</p>	 <p style="text-align: center;">344108-1</p>

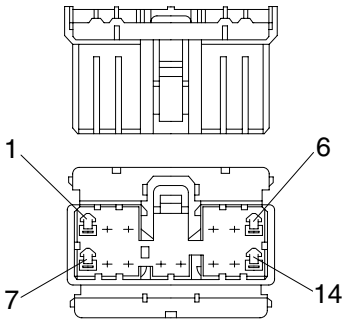
7) AMP TIMER CONNECTOR

No. of pin	Receptacle connector (female)	Plug connector (male)
2	 <p style="text-align: center;">85202-1</p>	

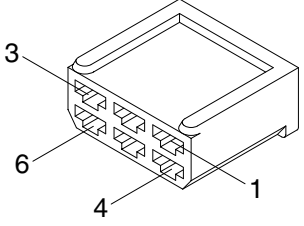
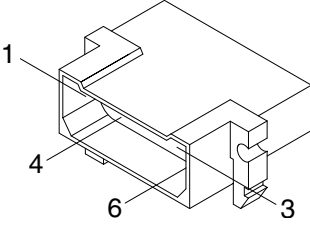
8) AMP 040 MULTILOCK CONNECTOR

No. of pin	Receptacle connector (female)	Plug connector (male)
12	 <p style="text-align: right;">174045-2</p>	

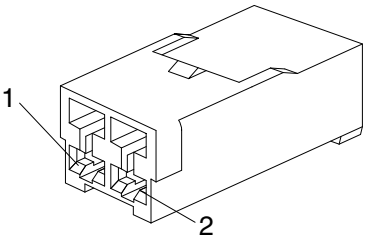
9) AMP 070 MULTILOCK CONNECTOR

No. of pin	Receptacle connector (female)	Plug connector (male)
14	 <p style="text-align: right;">173852</p>	

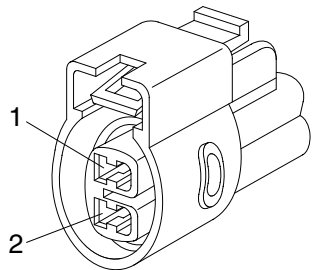
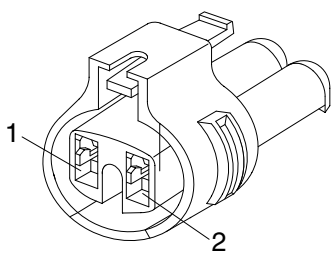
10) AMP FASTIN - FASTON CONNECTOR

No. of pin	Receptacle connector (female)	Plug connector (male)
6	 <p style="text-align: right;">925276-0</p>	 <p style="text-align: right;">480003-9</p>

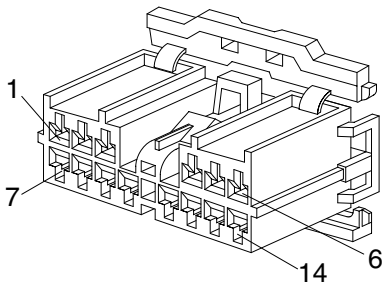
11) KET 090 CONNECTOR

No. of pin	Receptacle connector (female)	Plug connector (male)
2	 <p style="text-align: right;">MG610070</p>	

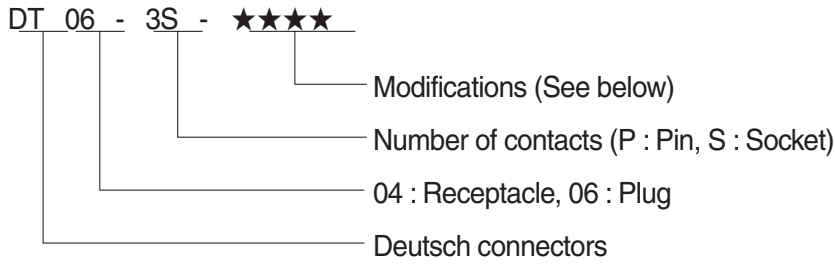
12) KET 090 WP CONNECTORS

No. of pin	Receptacle connector (female)	Plug connector (male)
2	 <p style="text-align: right;">MG640605</p>	
2	 <p style="text-align: right;">MG640795</p>	

13) KET SDL CONNECTOR

No. of pin	Receptacle connector (female)	Plug connector (male)
14	 <p style="text-align: right;">MG610406</p>	

14) DEUTSCH DT CONNECTORS



※ Modification

E003 : Standard end cap - gray

E004 : Color of connector to be black

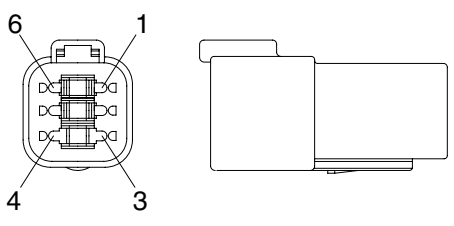
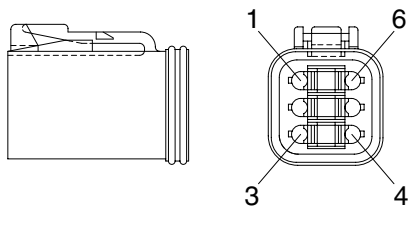
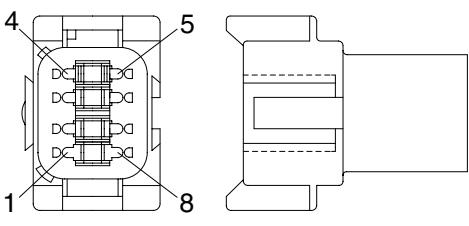
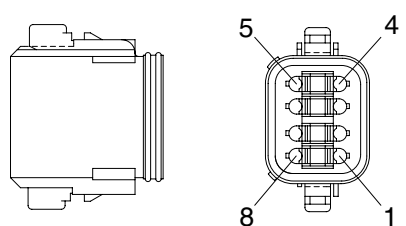
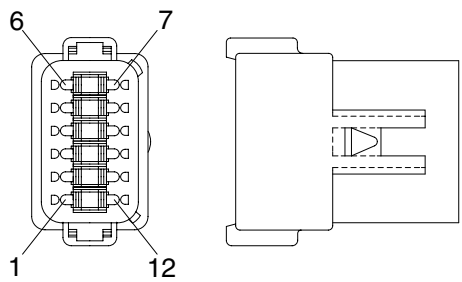
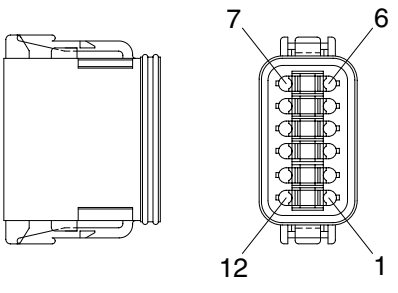
E005 : Combination - E004 & E003

EP04 : End cap

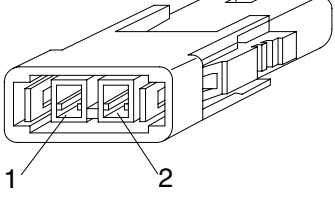
EP06 : Combination P012 & EP04

P012 : Front seal enhancement - connectors color to black for 2, 3, 4 & 6pin

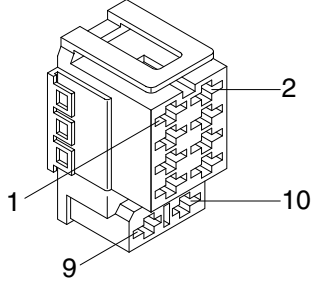
No. of pin	Receptacle connector (female)	Plug connector (male)
2	<p style="text-align: right;">DT06-2S</p>	<p style="text-align: right;">DT04-2P</p>
3	<p style="text-align: right;">DT06-3S</p>	<p style="text-align: right;">DT04-3P</p>
4	<p style="text-align: right;">DT06-4S</p>	<p style="text-align: right;">DT04-4P</p>

No. of pin	Receptacle connector (female)	Plug connector (male)
6	 <p style="text-align: right;">DT06-6S</p>	 <p style="text-align: right;">DT04-6P</p>
8	 <p style="text-align: right;">DT06-8S</p>	 <p style="text-align: right;">DT04-8P</p>
12	 <p style="text-align: right;">DT06-12S</p>	 <p style="text-align: right;">DT04-12P</p>

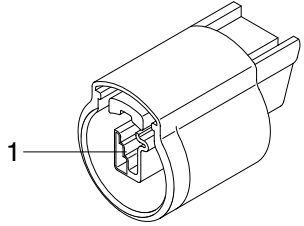
15) MOLEX 2CKTS CONNECTOR

No. of pin	Receptacle connector (female)	Plug connector (male)
2	 <p data-bbox="702 683 837 705">35215-0200</p>	

16) ITT SWF CONNECTOR

No. of pin	Receptacle connector (female)	Plug connector (male)
10	 <p data-bbox="694 1265 837 1288">SWF593757</p>	

17) MWP NMWP CONNECTOR

No. of pin	Receptacle connector (female)	Plug connector (male)
1	 <p data-bbox="686 1859 837 1881">NMWP01F-B</p>	