

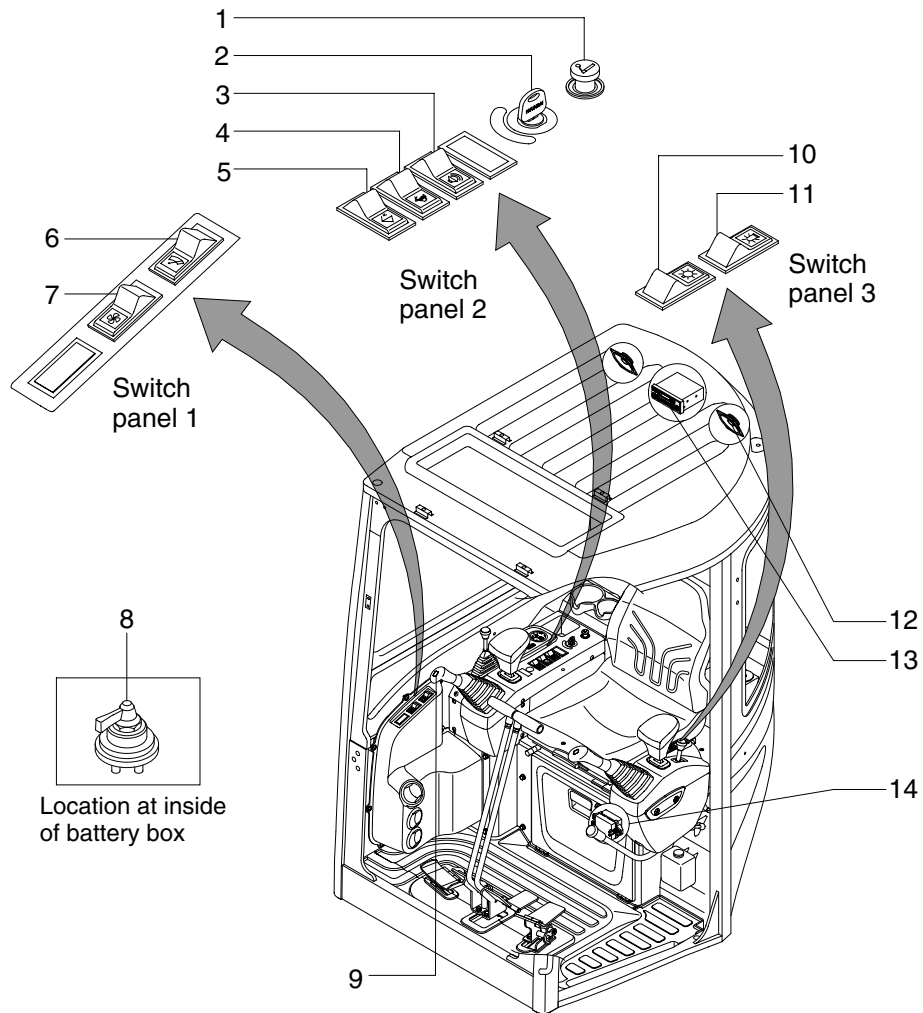
## SECTION 4 ELECTRICAL SYSTEM

Group 1 Component Location .....	4-1
Group 2 Monitoring system .....	4-3
Group 3 Electrical Circuit .....	4-9
Group 4 Electrical Component Specification .....	4-25
Group 5 Connectors .....	4-31

# SECTION 4 ELECTRICAL SYSTEM

## GROUP 1 COMPONENT LOCATION

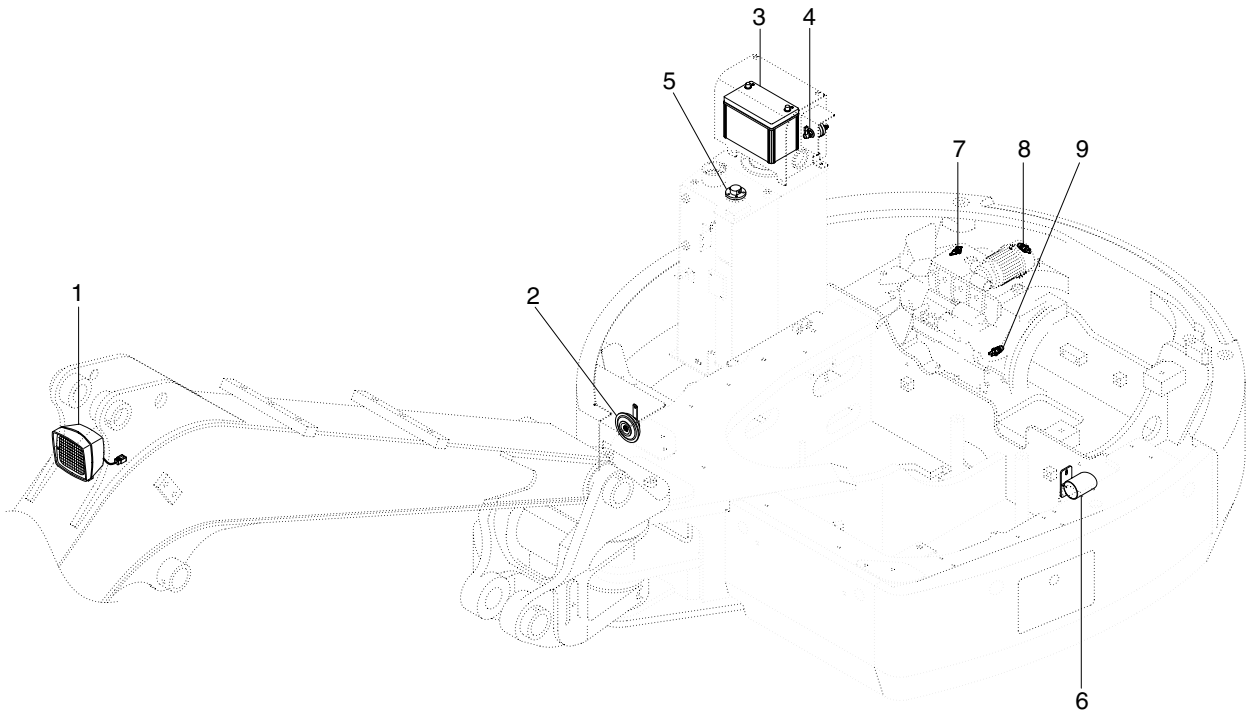
### 1. LOCATION 1



R27Z94EL02

- |                               |                       |                     |
|-------------------------------|-----------------------|---------------------|
| 1 Cigar light                 | 6 Washer/wiper switch | 11 Beacon switch    |
| 2 Start switch                | 7 Heater switch       | 12 Speaker          |
| 3 Travel alarm switch         | 8 Master switch       | 13 Cassette & radio |
| 4 Travel speed control switch | 9 Horn switch         | 14 Fuse box         |
| 5 Quick clamp switch          | 10 Main light switch  |                     |

## 2. LOCATION 2



R27Z94EL20

1 Work lamp  
2 Horn  
3 Battery

4 Master switch  
5 Fuel sender  
6 Travel alarm buzzer

7 Water temperature sender  
8 Air cleaner pressure switch  
9 Engine oil pressure switch