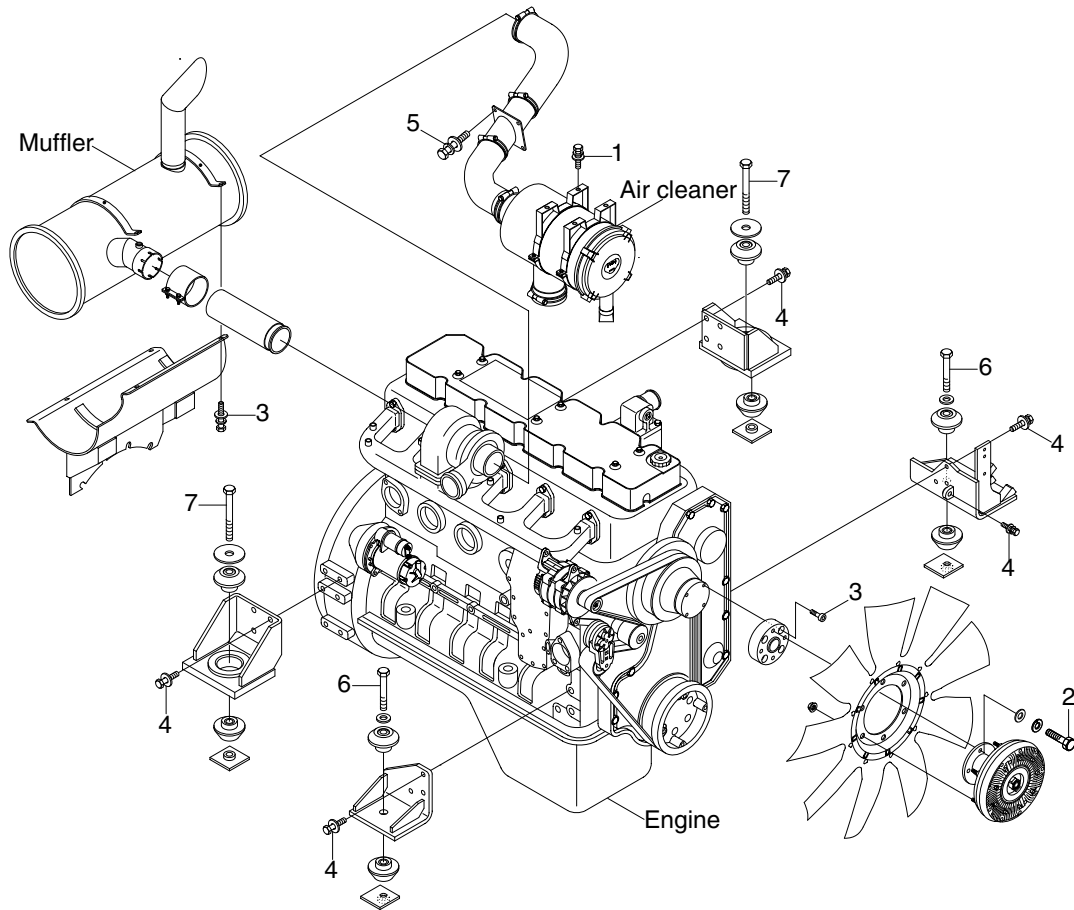


GROUP 2 ENGINE SYSTEM

1. ENGINE AND ACCESSORIES MOUNTING



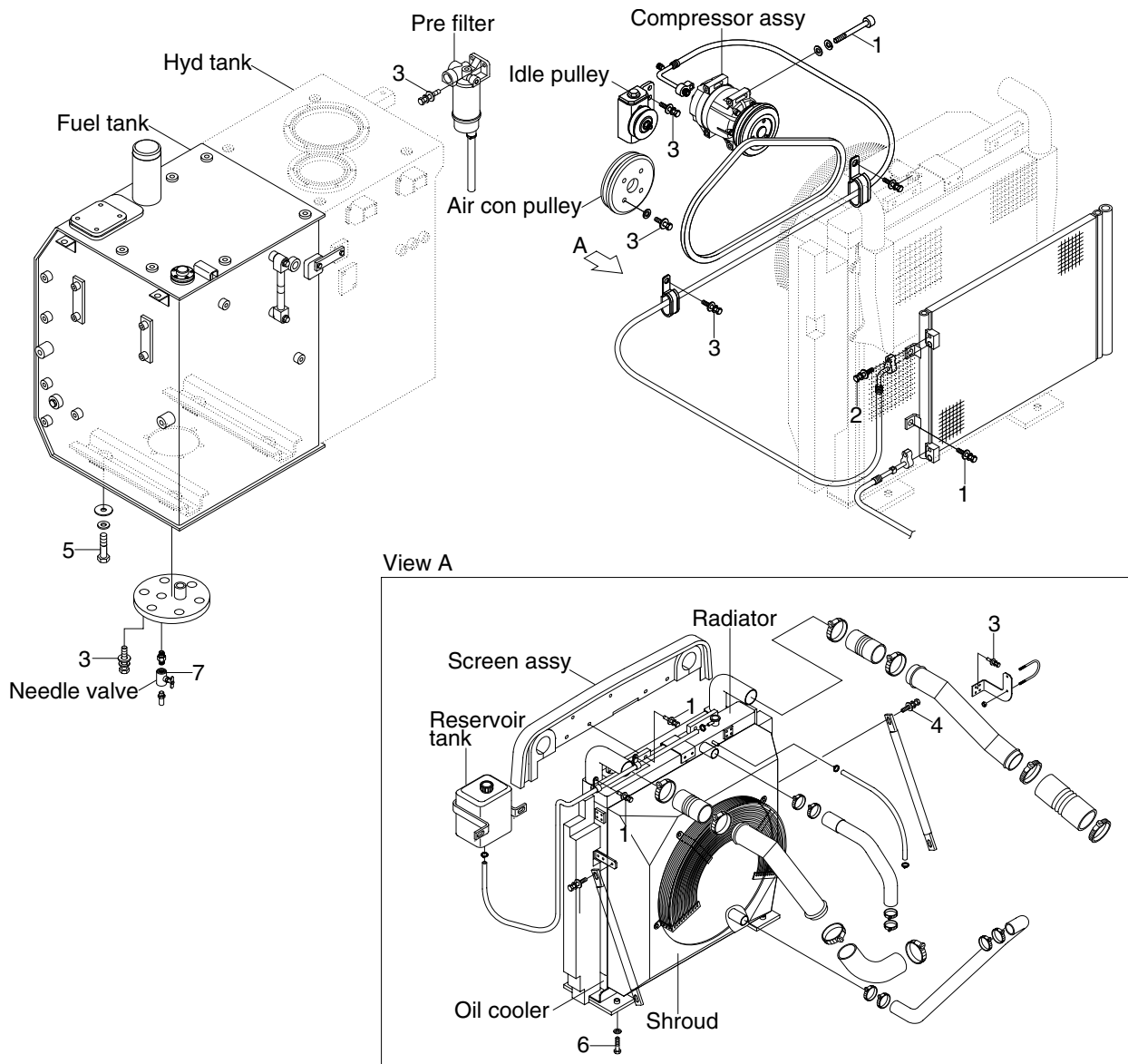
20W99CM01

· Tightening torque

Item	Size	kgf · m	kgf · m
1	M 8×1.25	2.5±0.5	18.1±3.6
2	M10×1.5	4.4±0.9	31.8±6.5
3	M10×1.5	6.9±1.4	49.9±10.1
4	M12×1.75	10.0±2.0	72.3±14.5

Item	Size	kgf · m	kgf · m
5	M12×1.75	12.8±3.0	92.6±21.7
6	M20×2.5	55±3.5	398±25.3
7	M24×3.0	90±7.0	651±51

2. COOLING SYSTEM AND FUEL TANK MOUNTING



20W99CM02

· Tightening torque

Item	Size	kgf · m	kgf · m
1	M 8×1.25	2.5±0.5	18.1±3.6
2	M 8×1.25	1.3±0.5	9.4±3.6
3	M10×1.5	6.9±1.4	49.9±10.1
4	M12×1.75	12.8±3.0	92.6±21.7

Item	Size	kgf · m	kgf · m
5	M20×2.5	46±5.1	325±36.9
6	M16×2.0	29.7±4.5	215±32.5
7	-	2.3±0.6	16.6±4.3