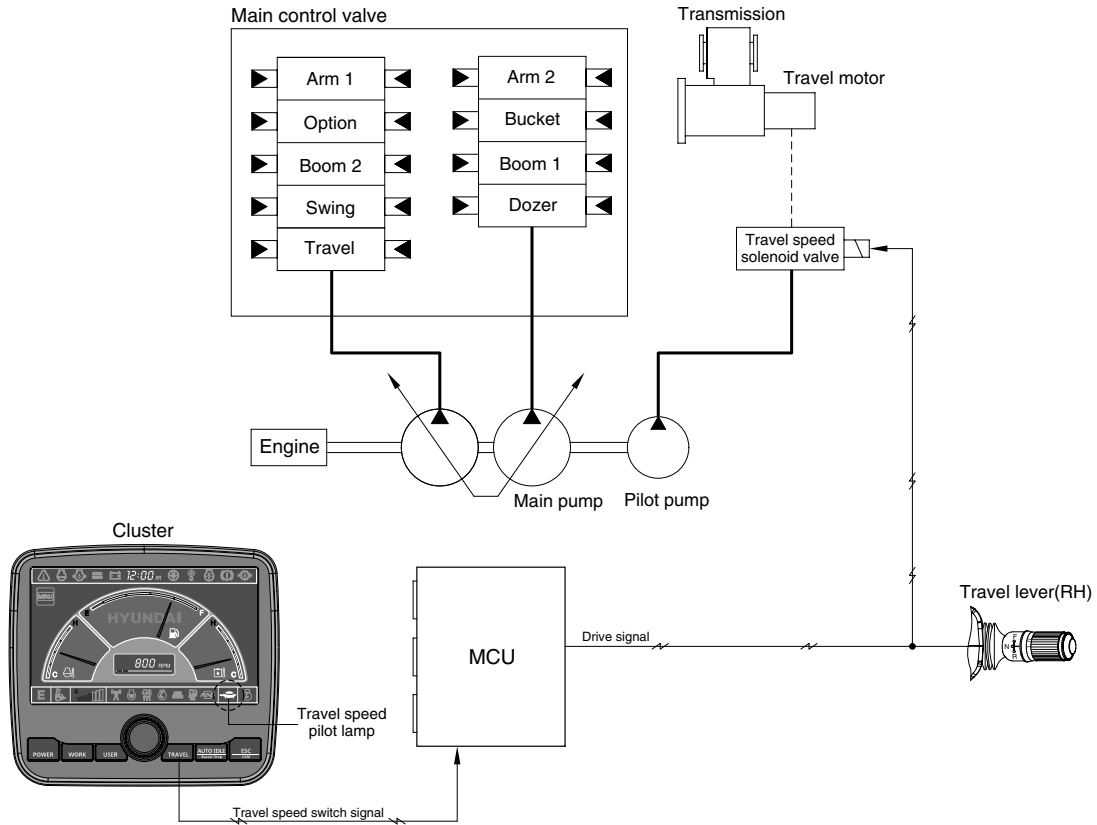


GROUP 5 TRAVEL SPEED CONTROL SYSTEM



20W95MS06

Travel speed can be switched manually by turning the travel speed switch on the RH multifunction switch.

Speed	Travel speed solenoid valve	Lamp on cluster	Operation
Low	OFF	Turtle	Low speed, high driving torque in the travel motor
High	ON	Rabbit	High speed, low driving torque in the travel motor

※ Default : Turtle (Low)