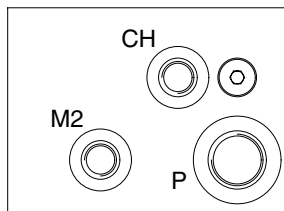
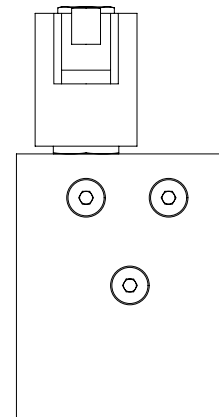
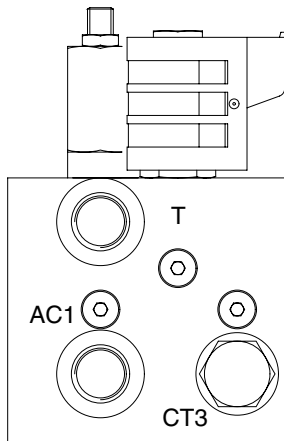
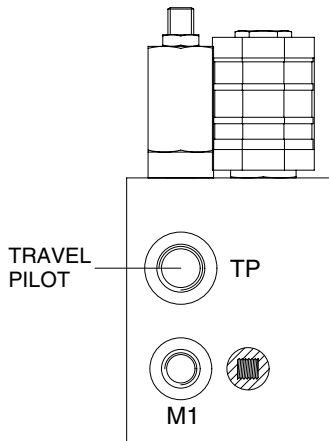
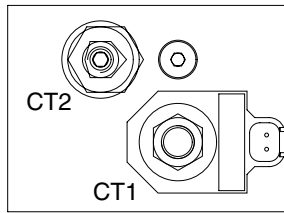
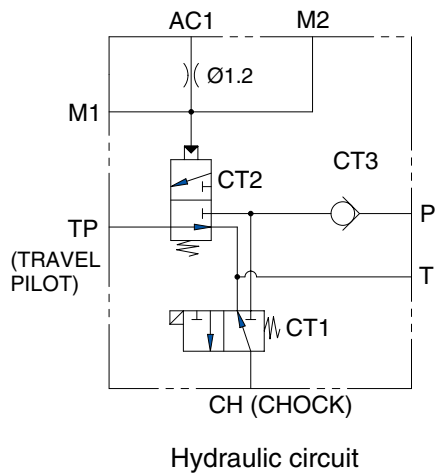


GROUP 9 TRAVEL CONTROL VALVE

1. STRUCTURE

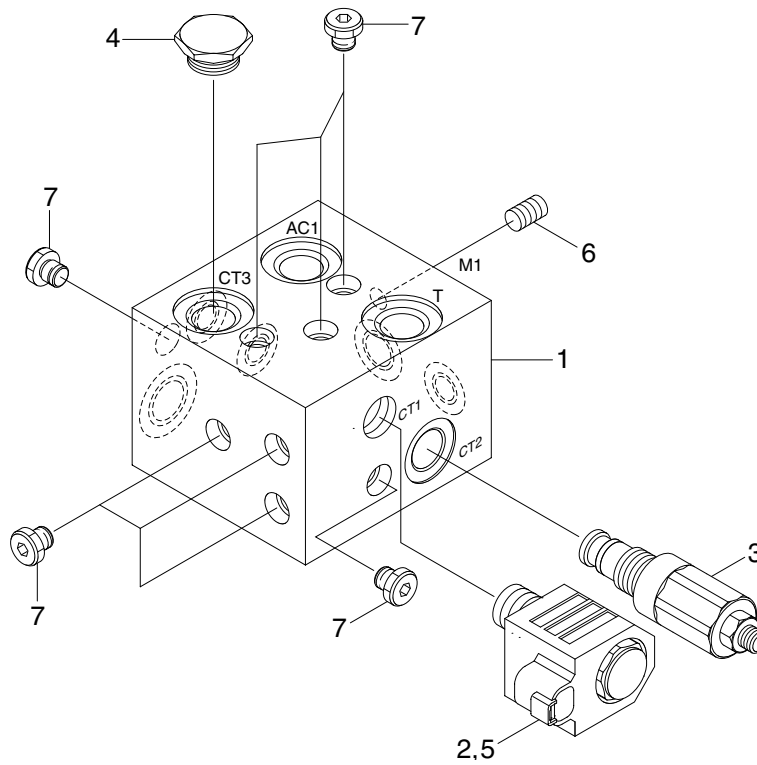


14W7A2TCV02



Port name	Port size
P, T, AC1	PF 1/2
TP	PF 3/8
M1, M2, CH	PF 1/4

2. COMPONENT



14W7A2TCV01

- | | | | |
|---|----------------|---|---------|
| 1 | Body | 5 | Coil |
| 2 | Solenoid valve | 6 | Orifice |
| 3 | POD valve | 7 | Plug |
| 4 | Check valve | | |