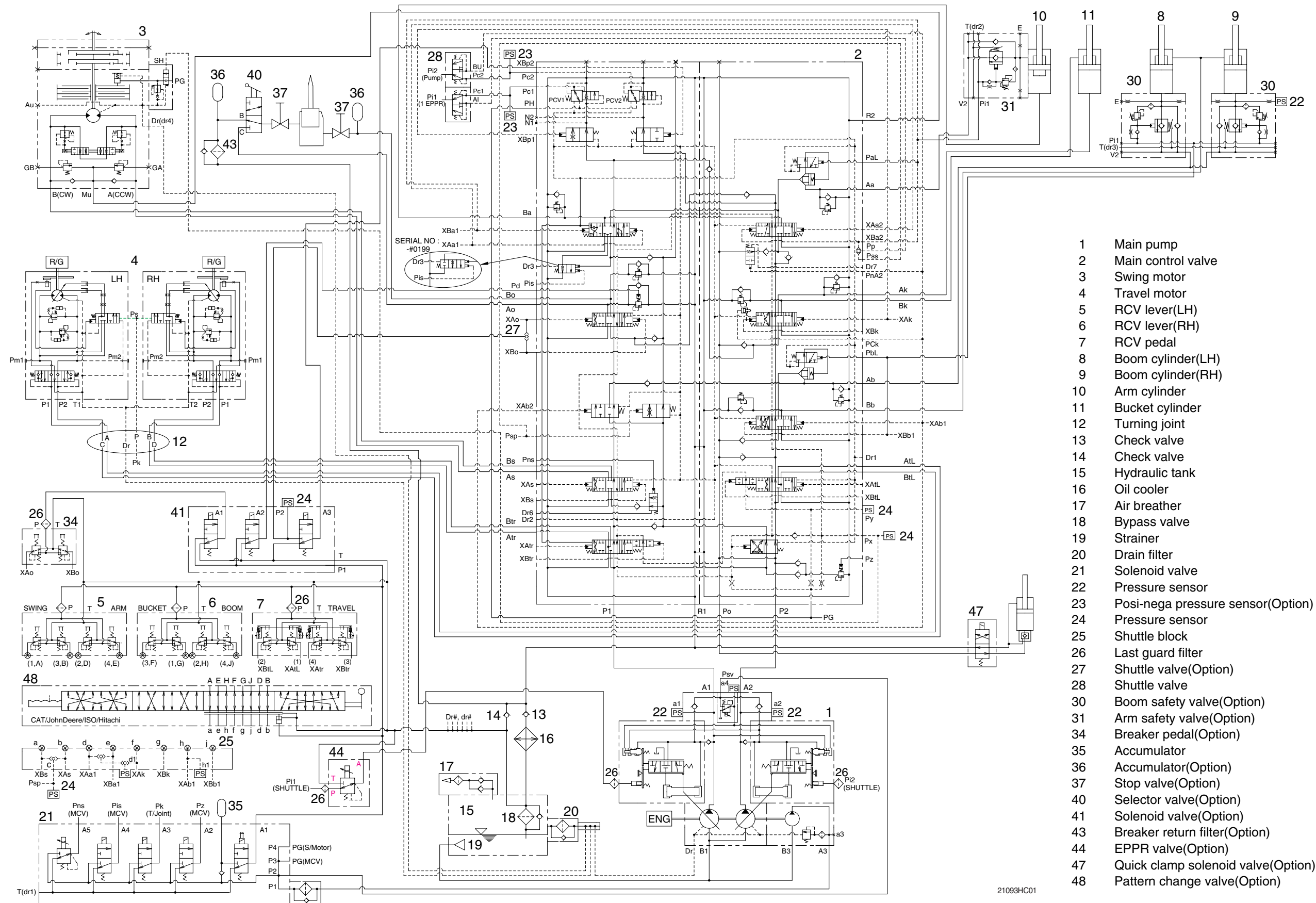


GROUP 1 HYDRAULIC CIRCUIT



21093HC01