

## SECTION 5 MECHATRONICS SYSTEM

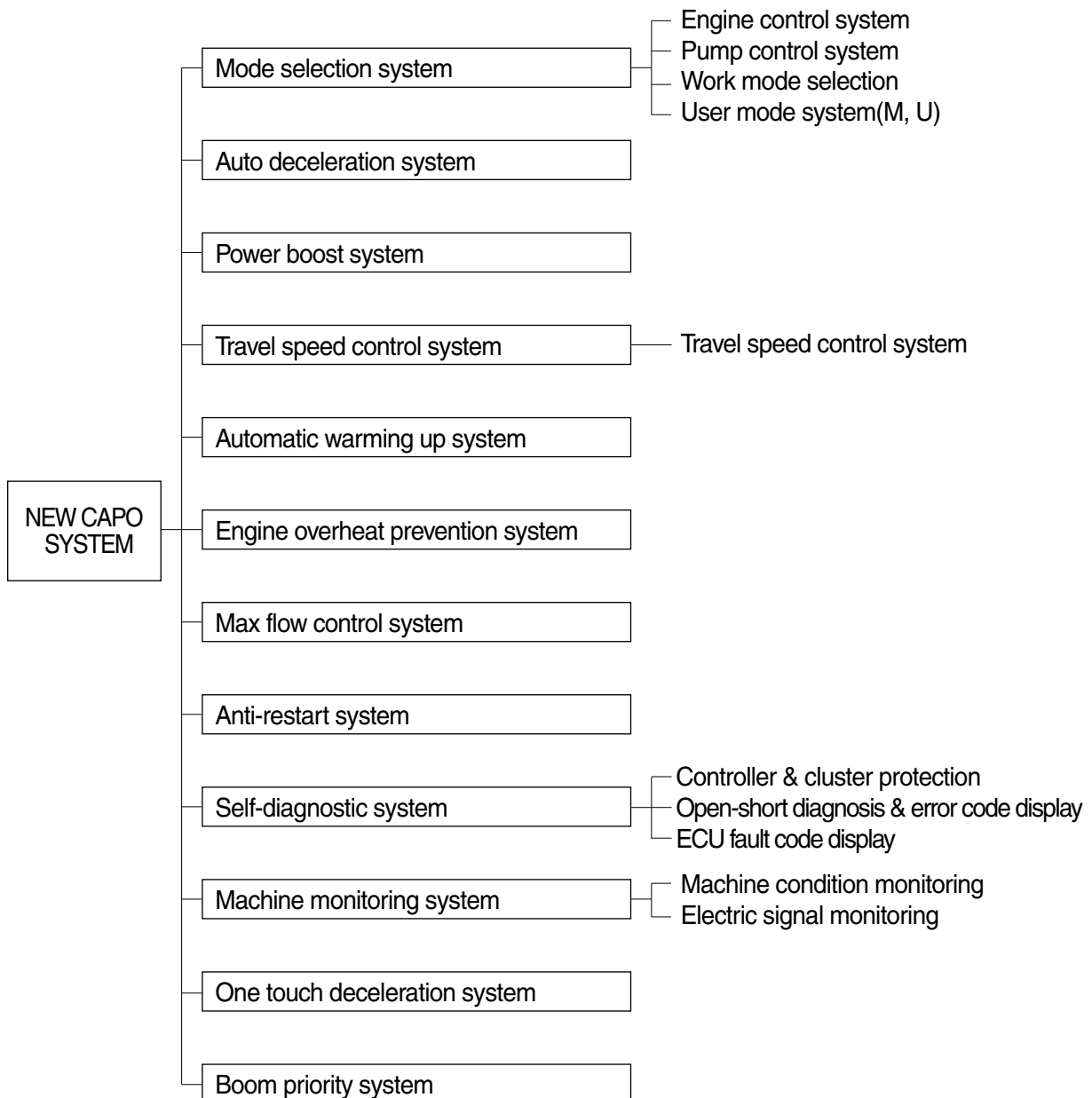
Group 1 Outline .....	5-1
Group 2 Mode Selection System .....	5-3
Group 3 Automatic Deceleration System .....	5-6
Group 4 Power Boost System .....	5-7
Group 5 Travel Speed Control System .....	5-8
Group 6 Automatic Warming Up Function .....	5-9
Group 7 Engine Overheat Prevention Function .....	5-10
Group 8 Anti-Restart System .....	5-11
Group 9 Self-Diagnostic System .....	5-12
Group 10 Engine Control System .....	5-24
Group 11 EPPR(Electro Proportional Pressure Reducing) Valve .....	5-26
Group 12 Monitoring System .....	5-29
Group 13 Fuel warmer System .....	5-40

# SECTION 5 MECHATRONICS SYSTEM

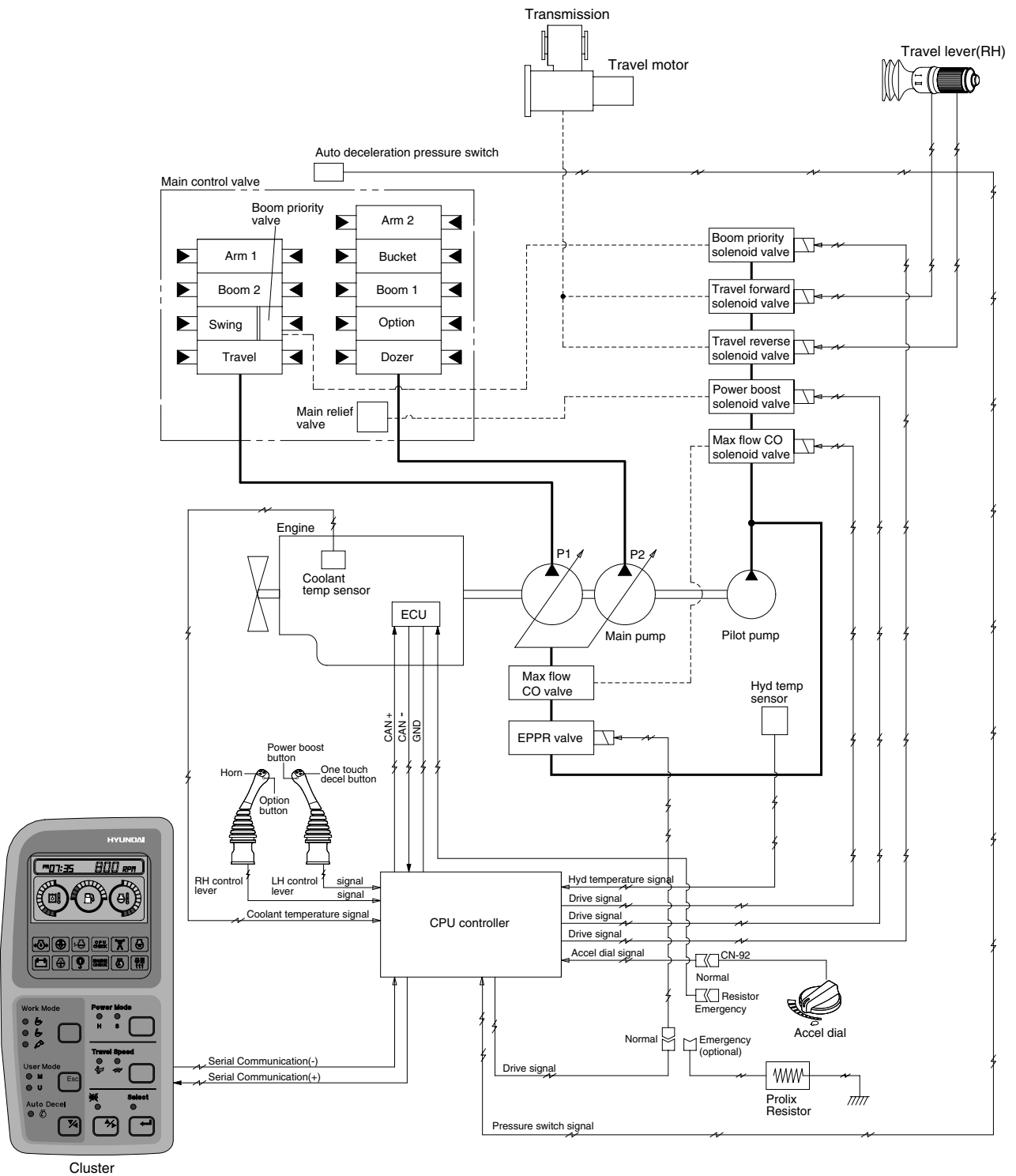
## GROUP 1 OUTLINE

The NEW CAPO(Computer Aided Power Optimization) system controls engine and pump mutual power at an optimum and less fuel consuming state for the selected work by mode selection, auto-deceleration, power boost function, etc. It monitors machine conditions, for instance, engine speed, coolant temperature, hydraulic oil temperature, and hydraulic oil pressure, etc.

It consists of a CPU controller, a cluster, an accel actuator, an EPPR valve, and other components. The CPU controller and the cluster protect themselves from over-current and high voltage input, and diagnose malfunctions caused by short or open circuit in electric system, and display error codes on the cluster.



# SYSTEM DIAGRAM



20W7A5MS01