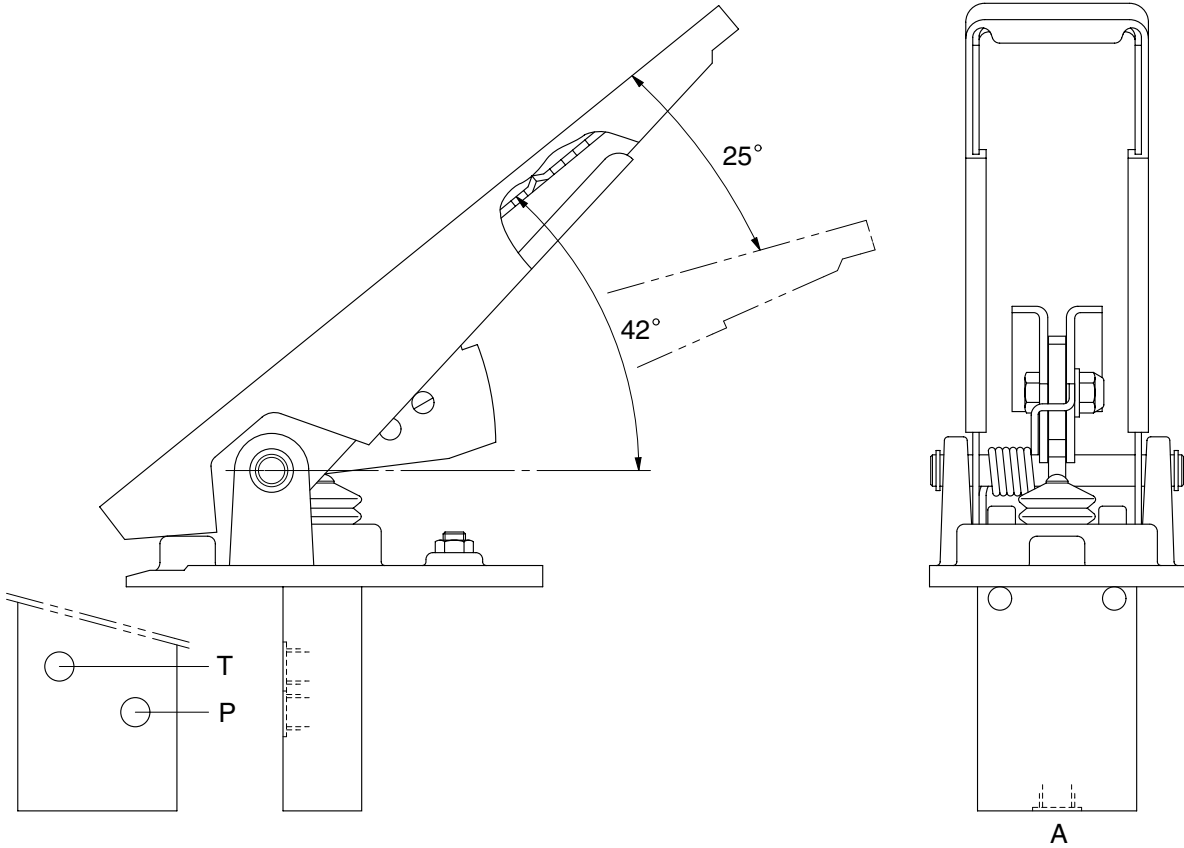


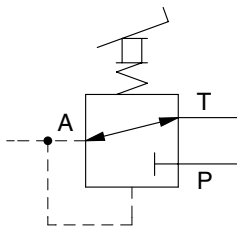
## GROUP 6 ACCELERATOR PEDAL

### 1. STRUCTURE

The casing has the oil inlet port P (Primary pressure), and the oil return port T (Tank). In addition the secondary pressure is taken out through port A.



17032RP01



Hydraulic circuit

| Port | Port name             | Port size |
|------|-----------------------|-----------|
| P    | Pilot oil inlet port  | PF 1/4    |
| T    | Pilot oil return port |           |
| A    | Pilot oil output port |           |

17032RP01(2)