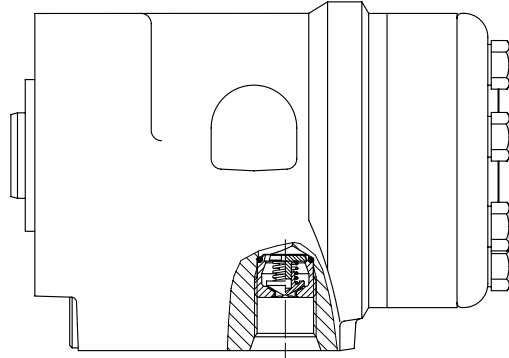
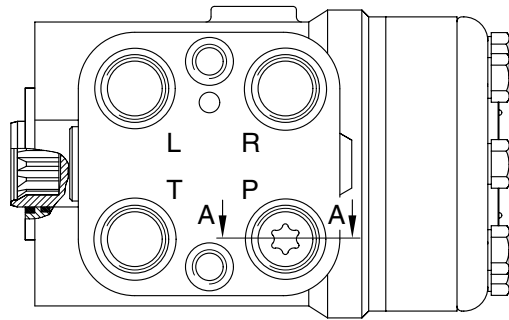
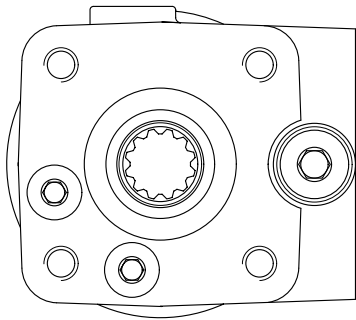


# GROUP 10 STEERING VALVE

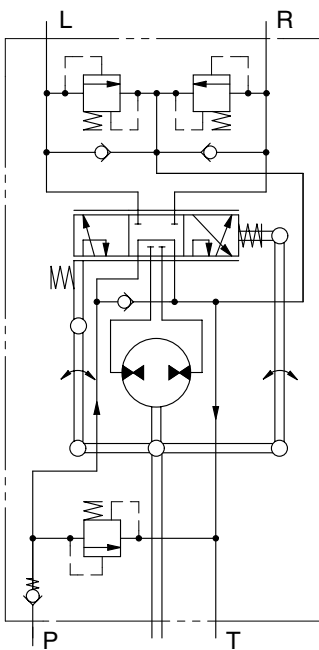
## 1. STRUCTURE



Section A-A



17032SV01

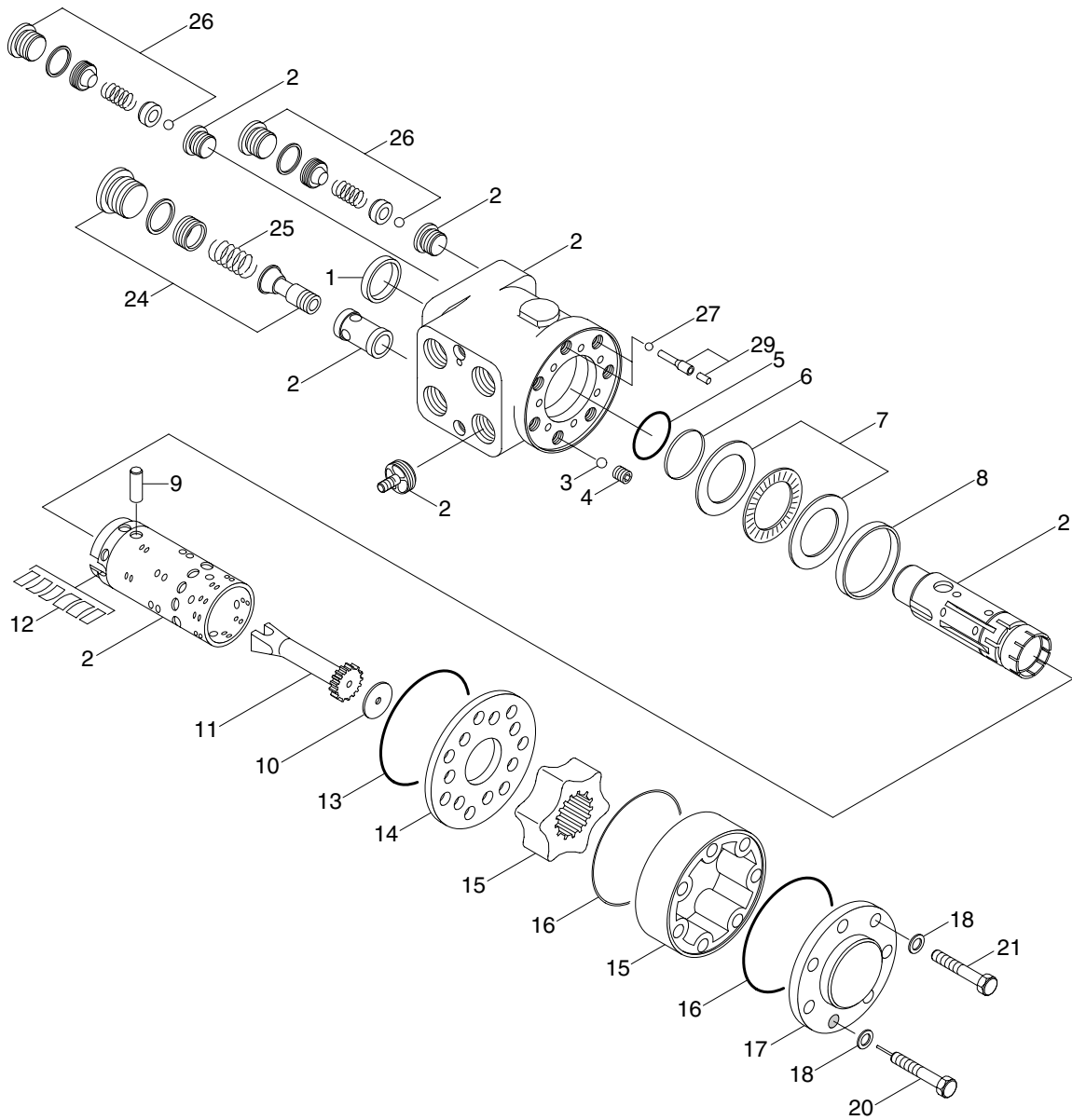


Hydraulic circuit

17032SV01

Port	Port name	Port size
L	Left port	3/4-16UNF
R	Right port	
T	Tank port	
P	Pump port	

## 2. COMPONENTS



20W72STV01

- |   |                         |    |                   |    |                       |
|---|-------------------------|----|-------------------|----|-----------------------|
| 1 | Dust seal               | 10 | Spacer            | 20 | Pin screw             |
| 2 | *Housing, spool, sleeve | 11 | Shaft             | 21 | Screw                 |
| 3 | Ball                    | 12 | Spring set        | 24 | Pressure relief valve |
| 4 | Bushing                 | 13 | O-ring            | 25 | Wire spring           |
| 5 | O-ring                  | 14 | Distributor plate | 26 | Shock valve           |
| 6 | King-ring               | 15 | Gear wheel set    | 27 | Ball                  |
| 7 | Bearing assy            | 16 | O-ring            | 29 | Bushing               |
| 8 | Ring                    | 17 | End cover         |    |                       |
| 9 | Cross pin               | 18 | Washer            |    |                       |